



目录	页号	INDEX	PAGE
型号标识	1	Designation	1
模块化图示	2	Modular system	2
减速机介绍	3-4	Specification	3-4
电机介绍	5	Electric motor	5
输入转速	6	Input speed	6
热功率	6-7	Thermal power	6-7
使用系数	8	Service factor	8
选型	9	Selection	9
同轴式带电机行星减速机技术参数	10-41	Technical data for in line gear motor	10-41
同轴式带电机行星减速机安装尺寸	42-55	Mounting dimension for in line gear motor	42-55
转角式带电机行星减速机技术参数	56-81	Technical data for right angle gear motor	56-81
转角式带电机行星减速机安装尺寸	82-97	Mounting dimension for right angle gear motor	82-97
同轴式轴输入行星减速机技术参数	98-100	Technical data for in line gear reducer	98-100
同轴式轴输入行星减速机安装尺寸	101-118	Mounting dimension for in line gear reducer	101-118
转角式轴输入行星减速机技术参数	119-121	Technical data for right angle gear reducer	119-121
转角式轴输入行星减速机安装尺寸	122-135	Mounting dimension for right angle gear reducer	122-135
输入轴径向力	136-137	Radial loads on high speed shaft	136-137
输出轴径向力	137-150	Radial loads on low speed shaft	137-150
详细安装结构尺寸	151-154	Sturcture details	151-154
电机安装尺寸	155	Mounting dimenssion for motor	155



型号标识

DESIGNATION

形式代号		machine
轴输入型	N	gear reducer
带电机型	MN	garmotor
齿轮级数		train of gears
1级同轴式行星	1E	1 planetary gears
2级同轴式行星	2E	2 planetary gears
3级同轴式行星	3E	3 planetary gears
4级同轴式行星	4E	4 planetary gears
1级伞齿轮带1级行星轮	CE	1 bevel gear pair and 1 planetary gear
1级伞齿轮带2级行星轮	C2E	1 bevel gear pair and 2 planetary gear
1级伞齿轮带3级行星轮	C3E	1 bevel gear pair and 3 planetary gear
机型号	200~696	size
输入轴输出轴相对位置		shaft position
同轴	C	coaxial
转角	R	right angle
设计代号		design code
200~353	1	200~353
354~696	2	354~696
低速轴设计		low shaft design
实心轴伸	C	cylindrical shaft end
外花键轴	S	external splined shaft end
空心轴带胀紧盘	H	hollow shaft with shrink disc
内花键轴	Z	internal splined shaft
附件(不带省略)		accessorys(omit signing when without it)
带底脚	FO	with foot
带扭力臂	TA	with torque arm
传动比		transmission ratio
电机连接		motor connection
电机机型号	71~250M	motor size
不带电机带电机输入法兰	71~250B5	without motor but with motor flange
电机极数	4(2,6)	motor poles(omit when with motor flange)
安装位置		mounting positions

标记示例

SIGN EXAMPLE

N 2E 200 C 1C-24.8 - B5

N 2E 200 C 1C-24.8 - B5

N 3E 355 C 2C-106-V1

N 3E 355 C 2C-106-V1

N C3E 696 R2H-TA-658-B52

N C3E 696 R2H-TA-658-B52

MN 3E 280 C 1C-47.3-132M4-B5

MN 3E 280 C 1C-47.3-132M4-B5

MN 4E 445 C 2C-FO-281-180M4-B5

MN 4E 445 C 2C-FO-281-180M4-B5

MN C2E 353 R1Z-61.9-160B5-V1

MN C2E 353 R1Z-61.9-160B5-V1

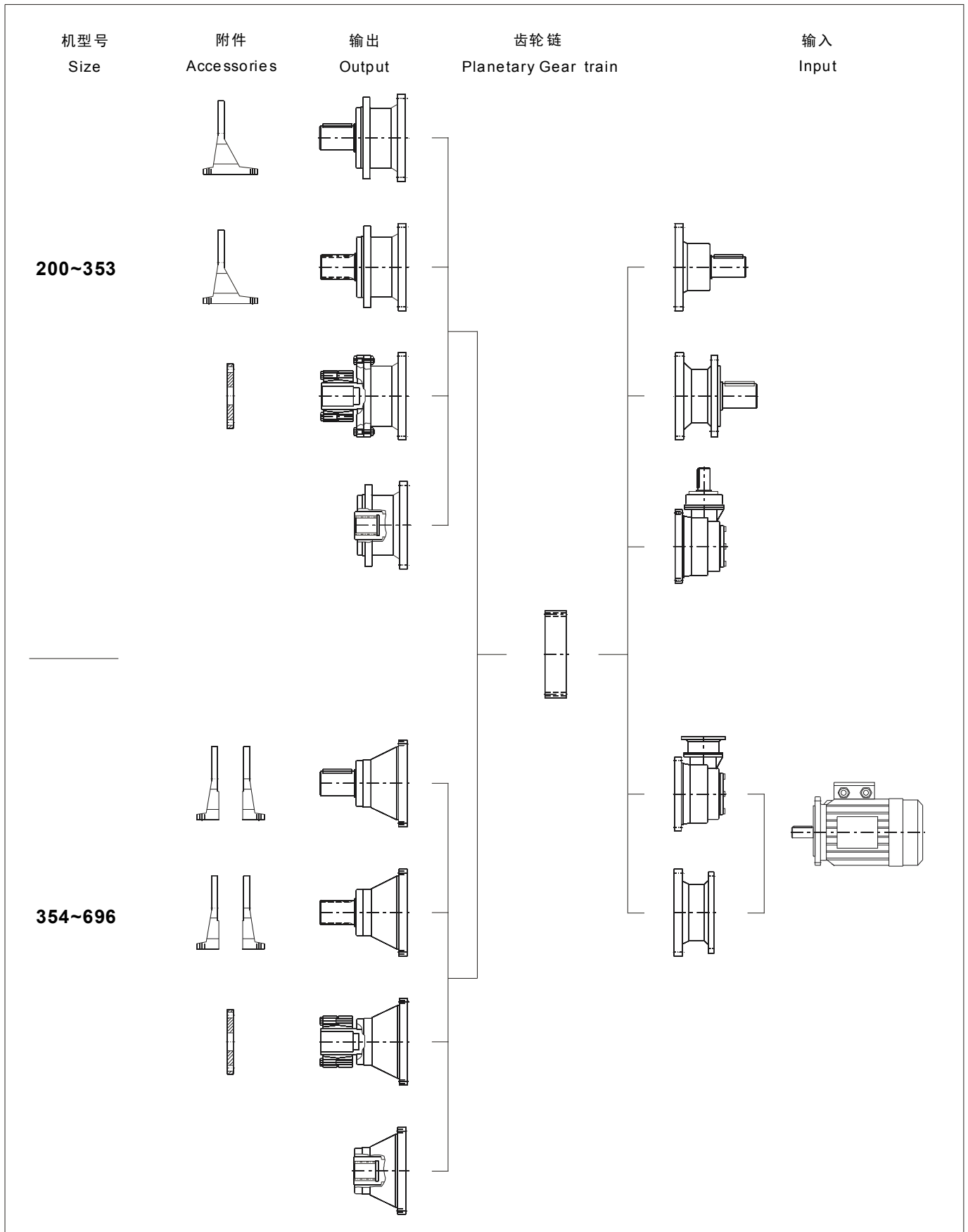
MN CE429 R2H-15.4-250M4-B53

MN CE429 R2H-15.4-250M4-B53



模块化图示

MODULAR SYSTEM





减速机介绍

减速机广泛应用于工业传动中；
有法兰，底脚和轴装等连接形式供选择；
有实心轴，外花键轴，内花键轴及空心轴带涨紧套等轴伸；
箱体由高强度球墨铸铁精密加工成型；
低速轴加装重载轴承，输出转矩范围成比例分布，并能承受相应的径向力；
运行噪声低；
产品组合能力强；
按高质量标准生产管理；
电机按照IEC标准；
性能高，可靠性强；
紧凑的机型号及性能排列，选择范围广。

本系列减速机根据现代设计理论设计，比传统减速机连接更简单，更经济，体积更小。

范围协调延伸：
转矩，径向力及轴伸尺寸随机型号逐级排列；
外形及性能参数排列紧凑，可选择性及经济性好；
技术文件完整，按逻辑思维易于考虑和分辨选型；
适合工业应用中的各种需要，简单，快速完成选型。

主要结构特性

按模块分为16个机型号；
同轴式有1, 2, 3, 4级减速；转角式分别有2, 3, 4级减速；
200-353为法兰安装，通过通孔固定，
354-696为法兰上第二止口连接，通过箱体上通孔安装；
根据需要，可以选装底脚。

SPECIFICATIONS

Wide and comprehensive range of planetary gear reducers and gearmotors for industrial applications;
Possibility of flange, foot or shaft mounting solutions;
Low speed shaft design: cylindrical with key, splined, hollow with shrink disc or splined hollow shaft.
Rigid and precise nodular cast iron casing;
Load capacity and low speed shaft bearing, high, properly stepped and with appropriate proportioning of torque values and relevant radial loads;
Low noise running;
Manufacturing and product management flexibility;
High manufacturing quality standard;
Motor standardized to IEC;
High and reliable performance;
Closer intermediate size and performance steps especially in the "high" range area;

This range of gear reducers and gearmotors combines and exalts the traditional qualities of planetary gear reducers compactness, economy, strength with the ones deriving from modern innovating design for these gear reducer type: harmonious development of the range: regular size steps in terms of torque, radial load, shaft end and hollow shaft dimension realizing the most important economic aspect: minimizing the difference between the required performance and the offered one; technical documentation – for complete data, easy consulting, identification of performance and dimensions, scientifically conceived suitable for the application needs of a standard manufactured product in the industrial sector, for a direct, rapid and complete selection.

Main structural features

16 sizes with modular system;
1, 2, 3 or 4 reduction stages for both coaxial and right angle shaft design;
fastening with through holes with flange for sizes 200 ~ 353, directly on casing with second spigot recess on overhung hub for sizes 354 ~ 696;
possibility of fastening with feet, on request;



减速机介绍

减速机适合连接大尺寸电机以达到减速机的额定功率及最大转矩,低速轴和高速轴可以重载运行;

低速轴设计:

实心轴带一只平键和一个螺纹孔(机型 ≤ 353);

实心轴带两只平键和三个螺纹孔(机型 ≥ 354);

外花键轴带定位轴肩;

内花键;

空心轴带胀紧套;

产品及零件模块化;

高速轴为实心轴连接,有带连接法兰形式;

带电机减速器:按IEC标准设计法兰,空心孔带键连接。

低速轴轴承:

200-280-----双圆锥滚子轴承;

353-695-----调心滚子轴承和深沟球轴承;

球墨铸铁箱体,厚壁并有加强筋加固;

矿物油或合成油油浴润滑,有注油螺塞,油窗螺塞及放油螺塞。

齿轮级数

同轴式有1, 2, 3, 4级行星传动;

? 转角式有级螺旋伞齿轮组合1, 2, 3级行星传动;

公称传动比按R40优先数系排列;

齿轮材料:外齿轮为20CrMnTi

内齿轮为42CrMo

圆柱齿轮磨削加工;

GLEASON螺旋伞齿轮经磨削或研磨加工;

浮动行星架为钢制零件;

同轴式和转角式的高速及低速轴均可正反转;

齿轮承载能力经抗压和抗弯强度计算和校核,最大瞬时功率通过验证。

SPECIFICATION

gear reducer overall dimensions are suitable to be equipped with large motor sizes transmitting high nominal and maximum torques, supporting high loads on low and high speed shaft ends;

low speed shaft designs: cylindrical shaft end with 1 key and 1 butt-end threaded hole (size ≤ 353) or 2 keys and 3 butt-end threaded holes (size ≥ 354), splined shaft ends with spigot recess and 3 threaded holes, hollow shaft with shrink disc (for shaft mounting), splined hollow shaft;

improved and up-graded modular construction both for component parts and assembled product;

gear reducers: input face with hub or flange and with holes; cylindrical high speed shaft end with key;

garmotors: motor standardized to IEC directly keyed into hollow high speed shaft;

low speed shaft bearings:

200~280-----double taper rollers

353~695-----adjustable-cylindrical roller and ball bearings.

nodular cast iron casing (excluding the steel gear) with thick walls and stiffening ribs;

shafts made of case hardened and hardened steel oil bath lubrication; synthetic or mineral oil with filler plug with valve, drain and level plug; sealed;

Train of gears:

with 1, 2, 3, 4 planetary gears (coaxial);

with 1 bevel gear and 1, 2, 3 planetary gears (right angle shafts);

nominal transmission ratios to R40/3 (3.15~3000) for coaxial, R40/3 (10~2120) for right angle shafts;

case hardened and hardened gear pairs: external gearings made of 20CrMnTi steel, internal gearings made of 42CrMo;

cylindrical spur gears with profile and flank modification, ground or accurately shaved;

GLEASON spiral bevel gear pairs with ground or accurately lapped profile;

floating planet carrier in hardened and tempered steel; concordant directions of rotation of high and low speed shaft, both for coaxial and for right angle shaft;

gears load capacity calculated for tooth bending strength and pitting; maximum instantaneous power verified.



电机介绍

标准设计

电机按IEC标准设计；

三相异步，密闭，风冷，鼠笼式；

? 频率 50HZ；

电压：132机型号以下 220/380V±10%；

160机型号以上 380/660V±10%；

防护等级IP54，绝缘等级F；

连续工作制S1，最高环境温度40°C，最大海拔高度
1000m；

? 最大过载不超过1.6倍额定载荷 持续时间每小时不超过
两分钟；

? 直接启动转矩为额定载荷的1.6倍 实际更高)；

制动电机

按IEC标准

? 加固型箱体刚性更好 以利于降低制动噪声；

? 直流制动线圈 通过整流模块从电机接线盒接入,也可以
独立连接电源.

? 制动转矩正比于电机转矩 并可调节制动盘片间隙调整;

? 可以频繁启动

? 快速精确制动

? 制动电机按无手动释放手柄供应 如有要求,请在订货合
同中注明;

? 手动释放手柄放松后自动复位

? 其他说明请参照专业手册或说明书

配用变频器时

? 普通电机许用调频范围 20Hz~60Hz;

? 制动电机的制动线圈应独立供电

? 专为变频设计的变频电机的使用请参照说明书

ELECTRIC MOTOR

Standard design:

motor standardized to IEC;

asynchronous three-phase, totally-enclosed, externally
ventilated, with cage rotor;

single polarity, frequency 50 Hz;

voltage 220 V /380 V ±10%, up to size 132 ,

380 V/660V ±10% from size 160 upwards;

IP 54 protection, insulation class F;

rated power delivered on continuous duty (S1) and at stand-
ard voltage and frequency; maximum ambient tem-
perature 40 °C, max altitude 1 000 m.

capacity to withstand one or more overloads up to 1,6 ti-
mes the nominal load for a maximum total period of 2
min per single hour;

starting torque with direct on-line start at least 1,6 times
the nominal one (it is usually higher);

Brake motor

motor standardized IEC having the same specifications
as normal motor;

particularly strong construction to withstand braking st-
resses; maximum reduction of noise level;

spring-loaded DC electromagnetic brake; feeding from
the terminal box; brake can also be fed independently
direct from the line;

braking torque proportioned to motor torque and adjust-
able by adding or removing spring pairs;

high frequency of starting enabled;

rapid, precise stopping;

break motor supplied without hand lever, if need, please
sign it in the contract.

hand lever for manual release with automatic return;

removable lever rod.

For other specifications and details see specific literatu-
re.

Suitable for the running with inverter

for normal motor ,permissible frequency range is:

20Hz~60Hz;

for brake motor, the wire should be independent from the
terminal box when use with inverter;

for the motor designed for inverter, permissible frequen-
cy and details see specific literature.

**输入转速**

许用输入转速

机型号	齿轮级数						
	1E	2E	3E	4E	CE	C2E	C3E
200	2800	2800	2800	-	2800	2800	-
201	2800	2800	2800	-	2800	2800	-
240	2240	2800	2800	2800	2800	2800	2800
241	2240	2800	2800	2800	2240	2800	2800
280	1800	2240	2800	2800	2240	2800	2800
353	1400	2240	2800	2800	2240	2800	2800
354	1400	2240	2800	2800	1800	2240	2800
355	1400	1800	2240	2800	1800	2240	2800
428	1120	1800	2240	2800	1800	2240	2800
429	1120	1400	2240	2800	1800	2240	2800
445	900	1400	2240	2800	-	1800	2240
446	900	1400	1800	2240	-	1800	2240
542	750	1120	1800	2240	-	1800	2240
543	750	1120	1400	2240	-	1800	2240
695	750	900	1400	1800	-	-	1800
696	750	900	1400	1800	-	-	1800

选用计算时，输入转速不能大于表中指定值，如果输入转速大于表中值，请联系我们。

热功率

下表列出了在连续工作制，环境温度小于40℃，海拔高度低于1000m，风速小于1,25 m/s，油温不超过80℃的公称热功率。

齿轮级数 stage of gear	机型号/gear reducer size															
	200	201	240	241	280	353	354	355	428	429	445	446	542	543	695	696
1E	8.7	8.7	13.5	13.5	16.4	22.8	24.4	24.4	30.2	30.2	37.4	37.4	46.2	46.2	59.5	59.5
2E	6.7	7.1	9	9.5	11.8	15	16	18	21.2	25	29	29	37.5	40	47.5	50
3E	6.7	6.3	7.1	7.5	9.5	11.2	11.8	13.2	16.8	19.8	20.6	21.8	28.8	30.8	35.5	37.5
4E	-	-	5.3	5.6	6.7	8.8	8.5	9.5	11.2	13.2	14.5	15.5	19.5	21.2	25.8	26.5
CE	8.7	8.5	11.2	15.5	17.5	21.2	23.6	30	35.5	40.8	-	-	-	-	-	-
C2E	7.1	7.5	9.1	10.2	12.5	15.2	18.0	19.8	22.4	26.5	28.5	31.5	40.8	42.5	-	-
C3E	-	-	7.1	8.5	9.5	10.6	12.5	13.2	15.8	17.8	19.8	20.8	25.8	28.8	33.5	35.5

INPUT SPEED

Permissible input speed

size	Train of gear						
	1E	2E	3E	4E	CE	C2E	C3E
200	2800	2800	2800	-	2800	2800	-
201	2800	2800	2800	-	2800	2800	-
240	2240	2800	2800	2800	2800	2800	2800
241	2240	2800	2800	2800	2240	2800	2800
280	1800	2240	2800	2800	2240	2800	2800
353	1400	2240	2800	2800	2240	2800	2800
354	1400	2240	2800	2800	1800	2240	2800
355	1400	1800	2240	2800	1800	2240	2800
428	1120	1800	2240	2800	1800	2240	2800
429	1120	1400	2240	2800	1800	2240	2800
445	900	1400	2240	2800	-	1800	2240
446	900	1400	1800	2240	-	1800	2240
542	750	1120	1800	2240	-	1800	2240
543	750	1120	1400	2240	-	1800	2240
695	750	900	1400	1800	-	-	1800
696	750	900	1400	1800	-	-	1800

Real input speed must less than or equal to the specified permissible input speed, if great than specified value, please contact SGR company.

THERMAL POWER P_t

Nominal thermal power P_{tN} , indicated in the table, is that which can be applied at the gear reducer input when operating on continuous duty, maximum ambient temperature of 40℃, max altitude 1000m and air speed 1,25 m/s, without exceeding 80℃ approximately oil temperature.



热功率

重要事项

实际热功率 P_t 不同于额定热功率 P_{tN} , 实际热功率按下式计算:

$$P_t = P_{tN} \cdot f_t$$

其中 f_t 为基于输入转速及安装位置, 环境温度及工作制的相关系数, 按下式计算:

$$f_t = K_p \cdot K_s$$

K_s ---基于输入转速及安装位置的相关系数, 见续表,

K_p ---基于环境温度及工作制的相关系数, 见续表。

基于输入转速及安装位置的相关系数 K_s

安装位置	输入转速 rpm						
	710	900	1120	1400	1800	2240	2800
B5,B53	1.4	1.25	1.12	1	0.85	0.56	0.4
V1,B51	1.18	1.06	0.95	0.85	0.67	0.475	0.335
V3,B52	1.4	0.9	0.8	0.71	0.56	0.46	0.28

基于环境温度及工作制的相关系数 K_p

环境温度 °C	60分钟内载荷持续率 [%]				
	100	60	40	25	15
40	1	1.18	1.32	1.5	1.7
30	1.18	1.4	1.6	1.8	2
20	1.32	1.6	1.8	2	2.24
10	1.5	1.8	2	2.24	2.5

$$\text{载荷持续率} [\%] = \frac{\text{载荷作用时间}}{60} \times 100\%$$

重要事项!

必须按下面公式校核实际输入功率 P_1 小于热功率 P_t

$$P_1 \leq (P_t = P_{tN} \cdot f_t)$$

如果热功率校核不能满足上面公式, 请考虑加装热交换器。

- ? 当载荷作用时间只有1-1.5小时 中间间隔时间足够冷却减速机, 可以不进行热功率校核。
- ? 当环境温度高于40°C 或小于0°C时, 请联系我们。

THERMAL POWER P_t

IMPORTANT!

thermal power P_t can be different from the nominal P_{tN} described above, as per the following formula:

$$P_t = P_{tN} \cdot f_t$$

where f_t is the thermal factor depending on:

K_p ---ambient temperature and type of duty factor, listed in following table.

K_s ---mounting position and input speed factor, listed in following table.

thermal factor caculated by following formula:

$$f_t = K_p \cdot K_s$$

Thermal factor K_s

mounting position	input speed rpm						
	710	900	1120	1400	1800	2240	2800
B5,B53	1.4	1.25	1.12	1	0.85	0.56	0.4
V1,B51	1.18	1.06	0.95	0.85	0.67	0.475	0.335
V3,B52	1.4	0.9	0.8	0.71	0.56	0.46	0.28

Thermal factor K_p

Maximum ambient temperature °C	Cyclic duration factor [%] for 60 minutes running				
	100	60	40	25	15
40	1	1.18	1.32	1.5	1.7
30	1.18	1.4	1.6	1.8	2
20	1.32	1.6	1.8	2	2.24
10	1.5	1.8	2	2.24	2.5

$$\text{Cyclic duration factor} = \frac{\text{Duration of running on load [min]}}{60} \times 100\%$$

IMPORTANT!

It is always necessary to verify that the applied power P_1 is less than or equal to the P_t value

$$P_1 \leq (P_t = P_{tN} \cdot f_t)$$

Whenever the thermal verification should not be satisfied, it is possible to install an independent cooling unit, made up of oil/air or oil/water heat exchanger;

Thermal power needs not be taken into account when maximum duration of continuous running time is 0,5~1,5 h (from small to large gear reducer sizes (followed by rest periods long enough to restore the gear reducer to near ambient temperature (likewise 1~3 h).

In case of maximum ambient temperature above 40° C or below 0° C contact SGR company.



使用系数

使用系数由载荷类型,运转时间,启动频率,等共同确定,计算选型时请考虑在内。

轴输入型减速机标定的公称载荷的使用系数为1,带电机的减速机使用系数在技术参数中已注明。

带电机的减速机安全系数按公式计算:

$$f_s = f_t \cdot f_f$$

SERVICE FACTOR

Service factor f_s takes into account the different running conditions (nature of load, running time, frequency of starting, other considerations) which must be referred to when performing calculations of gear reducer selection and verification.

The powers and torques shown in the catalogue are nominal (i.e. valid for $f_s = 1$) for gear reducers, corresponding to the f_s indicated for gearmotors.

gearmotors Calculate f_s perform formula: $f_s = f_t \cdot f_f$

基于运转时间的系数 f_t

载荷类型		寿命时间 [h]				
		每天运行时间 [h/d]				
No.	介绍	3150 2h/d	6300 2h/d	12500 4h/d	25000 8h/d	50000 16h/d
a	均匀载荷	0.9	0.95	1	1.25	1.5
b	中等过载	1.12	1.18	1.25	1.6	1.9
c	严重过载	1.5	1.6	1.7	2.12	2.5

Factor f_t base on running time

Nature of load of the driven machine		Life time [h]				
		Running time [h/d]				
No.	description	3150 2h/d	6300 2h/d	12500 4h/d	25000 8h/d	50000 16h/d
a	Uniform	0.9	0.95	1	1.25	1.5
b	Moderate overloads (1.6×normal load)	1.12	1.18	1.25	1.6	1.9
c	Heavy overloads (2.5×normal load)	1.5	1.6	1.7	2.12	2.5

基于启动频率的系数 f_f

载荷类型	启动频率 [次/小时]						
	2	4	8	16	32	63	125
a	1	1.06	1.12	1.18	1.25	1.32	1.4
b	1	1	1.06	1.12	1.18	1.25	1.32
c	1	1	1	1.06	1.12	1.18	1.25

Factor f_f base on frequency of starting

Load No.	Frequency of starting [starts/h]						
	2	4	8	16	32	63	125
a	1	1.06	1.12	1.18	1.25	1.32	1.4
b	1	1	1.06	1.12	1.18	1.25	1.32
c	1	1	1	1.06	1.12	1.18	1.25

注意!

载荷类型的判定按实际应用情况而定。

? 最大过载时间15秒, 启动时间 秒, 如有严重冲击的情况, 请联系我们。

如果在不容易维修更换, 关键部件, 或有关人身安全的场合, 安全系数乘以1.25~1.4。

ATTENTION!

For indication on the nature of load of the driven machine according to the application.

maximum time on overload 15 s; on starting 3 s; if over and/or subject to heavy shock effect, consult us;

a whole number of overload cycles (or start) imprecisely completed in 1, 2, 3 or 4 revolutions of low speed shaft; if precisely a continuous overloads should be assumed;

if a higher degree of reliability is required (particularly difficult maintenance conditions, key importance of gear reducer to production, personnel safety, etc.) Multiply f_s by 1.25~1.4.



选型

减速机的选择注意事项

确定好必要的参数：输出转矩 P_2 ，输出转速 n_2 ，输入转速 n_1 ，运行工况（如载荷类型，运行时间，启动频率）。

根据工况选定使用系数 f_s 。

根据输出转速 n_2 ，输入转速 n_1 ，和输出转矩 P_2 ，在满足 $P_{N2} \geq P_2 \times f_s$ 公式下选定机型号。

在计算输入功率 P_1 和输出功率 P_2 时，可以带入以下效率计算。

效率

一级行星传动：0.97

两级行星传动：0.94

三级行星传动：0.91

四级行星传动：0.89

一级伞齿轮组合一级行星：0.95

一级伞齿轮组合二级行星：0.92

一级伞齿轮组合三级行星：0.90

SELECTION

Make available all necessary data: required output power P_2 of gear reducer, speeds n_2 and n_1 , running conditions (nature of load, running time, frequency of starting other considerations)

Determine service factor f_s on the basis of running conditions

Select the gear reducer size (also, the train of gears and transmission ratio i at the same time) on the basis of n_2 , n_1 and of a power P_{N2} greater than or equal to $P_2 \cdot f_s$.

Calculate power P_1 required at input side of gear reducer using the formula P_2/η , where η is the efficiency of the gear reducer efficiency

gear reducer with 1 planetary gears (1E): 0.97,

gear reducer with 2 planetary gears (2E): 0.94,

gear reducer with 3 planetary gears (3E): 0.91,

gear reducer with 4 planetary gears (4E): 0.89;

with 1 bevel gear pair and 1 planetary gear (CE): 0.95,

with 1 bevel gear pair and 2 planetary gears (C2E): 0.92,

with 1 bevel gear pair and 3 planetary gears (C3E): 0.9;



技术参数

同轴式带电机行星减速机技术参数

TECHNICAL DATA

Technical data for in line gear motor





技术参数

TECHNICAL DATA

符号说明

Reading the rating chart

① ②

$P_1 = 0.25 \text{ kW}$ $n_1 = 1400 \text{ rpm}$

n ₂ rpm	M ₂ Nm	f _s	i	P _t KW				Fr _{2MAX} [N]		 Kg
								C	S	
0.64	3320	2.65	2187	6.7	MN 4E 280		7114	47500	53000	103
0.619	3430	1.14	2260	5.6	MN 4E 241		7114	30000	35500	74
0.776	2740	2.36	1804	5.6	MN 4E 241		7114	30000	35500	74
0.914	2330	2.8	1532	5.6	MN 4E 241		7114	30000	35500	74
1.08	1970	3.15	1301	5.6	MN 4E 241		7114	30000	35500	74


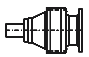

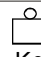
③ ④ ⑤ ⑥ ⑦ ⑧ ⑨ ⑩ ⑪ ⑫

- | | |
|--|--|
| <p>1 电机功率</p> <p>2 电机转速</p> <p>3 输出转速</p> <p>4 输出转矩</p> <p>5 使用系数</p> <p>6 减速比</p> <p>7 热功率</p> <p>8 减速机型号</p> <p>9 电机型号</p> <p>10 实心输出轴中点最大径向载荷</p> <p>11 花键输出轴中点最大径向载荷</p> <p>12 减速机重量</p> | <p>1 electric motor power</p> <p>2 electric motor speed</p> <p>3 output speed</p> <p>4 output torque</p> <p>5 service factor</p> <p>6 gear ratio</p> <p>7 thermal power</p> <p>8 gear unit size</p> <p>9 electric motor frame</p> <p>10 the maximum radial load on solid output shaft</p> <p>11 the maximum radial load on splined output shaft</p> <p>12 gear unit weight</p> |
|--|--|



技术参数

TECHNICAL DATA

P ₁ = 0.25 kW n ₁ = 1400rpm										
n ₂ rpm	M ₂ Nm	f _s	i	Pt KW				Fr _{2MAX} [N]		
								C	S	
0.64	3320	2.65	2187	6.7	MN 4E 280		7114	47500	53000	103
0.619	3430	1.14	2260	5.6	MN 4E 241		7114	30000	35500	74
0.776	2740	2.36	1804	5.6	MN 4E 241		7114	30000	35500	74
0.914	2330	2.8	1532	5.6	MN 4E 241		7114	30000	35500	74
1.08	1970	3.15	1301	5.6	MN 4E 241		7114	30000	35500	74
0.776	2740	1.32	1804	5.3	MN 4E 240		7114	30000	35500	66
0.914	2330	1.5	1532	5.3	MN 4E 240		7114	30000	35500	66
1.08	1970	1.8	1301	5.3	MN 4E 240		7114	30000	35500	66
1.25	1700	2.36	1120	5.3	MN 4E 240		7114	30000	35500	66
1.57	1360	3	894	5.3	MN 4E 240		7114	30000	35500	66
1.89	1120	3.35	740	5.3	MN 4E 240		7114	30000	35500	66
2.29	930	4	613	5.3	MN 4E 240		7114	30000	35500	66
2.65	800	4.75	527	5.3	MN 4E 240		7114	30000	35500	66
3.2	680	2.36	437	6.3	MN 3E 201		7114	19000	22400	42
3.72	580	3	377	6.3	MN 3E 201		7114	19000	22400	42
3.2	680	1.32	437	6	MN 3E 200		7114	15000	18000	39
3.72	580	1.9	377	6	MN 3E 200		7114	15000	18000	39
4.66	467	2.8	301	6	MN 3E 200		7114	15000	18000	39
5.48	396	3.35	255	6	MN 3E 200		7114	15000	18000	39
6.46	336	3.75	217	6	MN 3E 200		7114	15000	18000	39
7.8	278	4.5	179	6	MN 3E 200		7114	15000	18000	39
9.43	230	5.3	149	6	MN 3E 200		7114	15000	18000	39

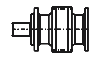


P ₁ = 0.37 kW n ₁ = 1400rpm										
0.87	3620	2.8	1610	6.7	MN 4E 280		7124	47500	53000	103
1.02	3070	3.15	1367	6.7	MN 4E 280		7124	47500	53000	103
0.914	3440	1.9	1532	5.6	MN 4E 241		7124	30000	35500	66
1.08	2920	2.12	1301	5.6	MN 4E 241		7124	30000	35500	74
1.25	2520	2.65	1120	5.6	MN 4E 241		7124	30000	35500	74
1.57	2010	3.15	894	5.6	MN 4E 241		7124	30000	35500	74
1.08	2920	1.18	1301	5.3	MN 4E 240		7124	30000	35500	66
1.25	2520	1.6	1120	5.3	MN 4E 240		7124	30000	35500	66
1.57	2010	2	894	5.3	MN 4E 240		7124	30000	35500	66
1.89	1660	2.36	740	5.3	MN 4E 240		7124	30000	35500	66
2.29	1380	2.8	613	5.3	MN 4E 240		7124	30000	35500	66
2.65	1180	3.15	527	5.3	MN 4E 240		7124	30000	35500	66
3.32	950	3.75	421	5.3	MN 4E 240		7124	30000	35500	66
3.92	800	4.5	357	5.3	MN 4E 240		7124	30000	35500	66
3.2	1000	1.6	437	6.3	MN 3E 201		7124	19000	22400	42
3.72	870	2	377	6.3	MN 3E 201		7124	19000	22400	42
4.66	690	2.5	301	6.3	MN 3E 201		7124	19000	22400	48
5.48	590	3.55	255	6.3	MN 3E 201		7124	19000	22400	48



技术参数

TECHNICAL DATA

$P_1 = 0.37 \text{ kW}$ $n_1 = 1400 \text{ rpm}$

n ₂ rpm	M ₂ Nm	f _s	i	P _t KW				Fr _{2MAX} [N]		Kg
								C	S	
3.2	1000	0.9	437	6	MN 3E 200		7124	15000	18000	39
3.72	870	1.25	377	6	MN 3E 200		7124	15000	18000	39
4.66	690	1.9	301	6	MN 3E 200		7124	15000	18000	46
5.48	590	2.24	255	6	MN 3E 200		7124	15000	18000	46
6.46	498	2.5	217	6	MN 3E 200		7124	15000	18000	46
7.8	412	3	179	6	MN 3E 200		7124	15000	18000	46
9.43	341	3.55	149	6	MN 3E 200		7124	15000	18000	46
10.9	294	4	128	6	MN 3E 200		7124	15000	18000	46
13.7	234	5	102	6	MN 3E 200		7124	15000	18000	46
16.2	199	5.6	86.6	6	MN 3E 200		7124	15000	18000	46

$P_1 = 0.55 \text{ kW}$ $n_1 = 1400 \text{ rpm}$


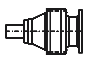

0.505	9270	1.7	2775	8.5		MN 4E 354	801-4	71000	80000	179
0.61	7670	2.36	2297	8.5		MN 4E 354	801-4	71000	80000	179
0.61	7670	1.7	2297	8	MN 4E 353		801-4	60000	67000	163
0.782	5980	2.5	1789	8	MN 4E 353		801-4	60000	67000	163
0.921	5070	3	1519	8	MN 4E 353		801-4	60000	67000	163
1.09	4310	3.55	1290	8	MN 4E 353		801-4	60000	67000	163
0.87	5370	1.8	1610	6.7	MN 4E 280		801-4	47500	53000	109
1.19	3930	2.5	1177	6.7	MN 4E 280		801-4	47500	53000	109
1.44	3250	3	974	6.7	MN 4E 280		801-4	47500	53000	109
1.25	3740	1.7	1120	5.6	MN 4E 241		801-4	30000	35500	79
1.57	2990	2.12	894	5.6	MN 4E 241		801-4	30000	35500	79
1.89	2470	2.5	740	5.6	MN 4E 241		801-4	30000	35500	79
2.29	2050	3	613	5.6	MN 4E 241		801-4	30000	35500	79
2.65	1760	3.35	527		MN 4E 241		801-4	30000	35500	79
1.57	2990	1.32	894	5.3	MN 4E 240		801-4	30000	35500	71
1.89	2470	1.6	740	5.3	MN 4E 240		801-4	30000	35500	71
2.29	2050	1.8	613	5.3	MN 4E 240		801-4	30000	35500	71
2.65	1760	2.12	527	5.3	MN 4E 240		801-4	30000	35500	71
3.32	1410	2.65	421	6.3	MN 4E 240		801-4	30000	35500	71
3.92	1190	3	357	6.3	MN 4E 240		801-4	30000	35500	71
3.2	1490	1.6	437	5.3	MN 3E 240		801-4	30000	35500	64
3.77	1270	1.9	371	5.3	MN 3E 240		801-4	30000	35500	64
4.38	1090	2.5	320	6.3	MN 3E 240		801-4	30000	35500	64
3.2	1490	1.12	437	5.6	MN 3E 201		801-4	19000	22400	48
3.72	1290	1.4	377	7.1	MN 3E 201		801-4	19000	22400	48
4.66	1030	1.7	301	6	MN 3E 201		801-4	19000	22400	48
5.48	870	2.36	255	6	MN 3E 201		801-4	19000	22400	48
6.46	740	2.8	217	6	MN 3E 201		801-4	19000	22400	48
7.8	610	3.35	179	6.3	MN 3E 201		801-4	19000	22400	48
9.43	510	4	149	6.3	MN 3E 201		801-4	19000	22400	48



技术参数

TECHNICAL DATA

$P_1 = 0.55\text{kW}$ $n_1 = 1400\text{rpm}$

n ₂ rpm	M ₂ Nm	f _s	i	P _t KW				Fr _{2MAX} [N]		Kg
								C	S	
4.66	1030	1.25	301	7.1	MN 3E 200		801-4	15000	18000	45
5.48	870	1.5	255	7.1	MN 3E 200		801-4	15000	18000	45
6.46	740	1.7	217	6.3	MN 3E 200		801-4	15000	18000	45
7.8	610	2	179	6	MN 3E 200		801-4	15000	18000	45
9.43	510	2.36	149	6	MN 3E 200		801-4	15000	18000	45
10.9	437	2.8	128	6	MN 3E 200		801-4	15000	18000	45
13.7	349	3.35	102	6	MN 3E 200		801-4	15000	18000	45
16.2	296	4	86.6	6	MN 3E 200		801-4	15000	18000	45
19.9	240	4.75	70.2	6	MN 3E 200		801-4	15000	18000	45
23.5	203	5.3	59.6	6	MN 3E 200		801-4	15000	18000	45


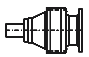

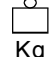
$P_1 = 0.75\text{kW}$ $n_1 = 1400\text{rpm}$

0.493	12930	1.4	2840	9.5		MN 4E 355	802-4	71000	80000	196
0.585	10900	1.9	2393	9.5		MN 4E 355	802-4	71000	80000	196
0.718	8880	2.36	1950	9.5		MN 4E 355	802-4	71000	80000	196
0.718	8880	2	1950	8.5		MN 4E 354	802-4	71000	80000	179
0.834	7650	2.36	1679	8.5		MN 4E 354	802-4	71000	80000	179
0.921	6920	2.12	1519	8	MN 4E 353		802-4	60000	67000	163
1.09	5870	2.5	1290	8	MN 4E 353		802-4	60000	67000	163
1.26	5060	3	1111	8	MN 4E 353		802-4	60000	67000	163
1.58	4040	3.75	887	8	MN 4E 353		802-4	60000	67000	171
1.8	3540	2.8	778	6.7	MN 4E 280		802-4	47500	53000	109
2.09	3050	3.15	670	6.7	MN 4E 280		802-4	47500	53000	109
1.57	4070	1.6	894	5.6	MN 4E 241		802-4	30000	35500	79
1.89	3370	1.9	740	5.6	MN 4E 241		802-4	30000	35500	79
2.29	2790	2.24	613	5.6	MN 4E 241		802-4	30000	35500	79
2.65	2400	2.5	527	5.6	MN 4E 241		802-4	30000	35500	79
3.32	1920	3.15	421	5.6	MN 4E 241		802-4	30000	35500	79
3.2	1630	3.55	357	5.6	MN 4E 241		802-4	30000	35500	79
3.92	2040	1.9	437	7.1	MN 3E 241		802-4	30000	35500	72
3.77	1730	2.24	371	7.5	MN 3E 241		802-4	30000	35500	72
5.29	1230	3.75	265	7.5	MN 3E 241		802-4	30000	35500	80
2.29	2790	1.32	613	5.3	MN 4E 240		802-4	30000	35500	71
2.65	2400	1.5	527	5.3	MN 4E 240		802-4	30000	35500	71
3.32	1920	1.9	421	5.3	MN 4E 240		802-4	30000	35500	71
3.92	1630	2.24	357	5.3	MN 4E 240		802-4	30000	35500	71
4.84	1320	2.65	290	5.3	MN 4E 240		802-4	30000	35500	71
3.2	2040	1.18	437	7.1	MN 3E 240		802-4	30000	35500	64
3.77	1730	1.32	371	7.1	MN 3E 240		802-4	30000	35500	64
4.38	1490	1.9	320	7.1	MN 3E 240		802-4	30000	35500	64
5.29	1230	2.24	265	7.1	MN 3E 240		802-4	30000	35500	64
6.62	980	3.15	211	7.1	MN 3E 240		802-4	30000	35500	64



技术参数

TECHNICAL DATA


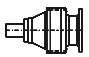


P₁ = 0.75kW n₁ = 1400rpm										
n ₂ rpm	M ₂ Nm	f _s	i	P _t KW				Fr _{2MAX} [N]		 Kg
								C	S	
3.72	1750	1	377	6.3	MN 3E 201		802-4	19000	22400	48
4.66	1400	1.25	301	6.3	MN 3E 201		802-4	19000	22400	48
5.48	1190	1.8	255	6.3	MN 3E 201		802-4	19000	22400	48
6.46	1010	2.12	217	6.3	MN 3E 201		802-4	19000	22400	48
7.8	840	2.5	179	6.3	MN 3E 201		802-4	19000	22400	48
9.43	690	3	149	6.3	MN 3E 201		802-4	19000	22400	48
10.9	600	3.35	128	6.3	MN 3E 201		802-4	19000	22400	48
13.7	475	4	102	6.3	MN 3E 201		802-4	19000	22400	48
4.66	1400	0.95	301	6	MN 3E 200		802-4	15000	18000	45
5.48	1190	1.06	255	6	MN 3E 200		802-4	15000	18000	45
6.46	1010	1.25	217	6	MN 3E 200		802-4	15000	18000	45
7.8	840	1.5	179	6	MN 3E 200		802-4	15000	18000	45
9.43	690	1.8	149	6	MN 3E 200		802-4	15000	18000	45
10.9	600	2	128	6	MN 3E 200		802-4	15000	18000	45
13.7	475	2.5	102	6	MN 3E 200		802-4	15000	18000	45
16.2	403	2.8	86.6	6	MN 3E 200		802-4	15000	18000	45
19.9	327	3.35	70.2	6	MN 3E 200		802-4	15000	18000	45
23.5	277	4	59.6	6	MN 3E 200		802-4	15000	18000	45
27.3	246	2.8	51.2	6.7	MN 2E 200		802-4	15000	18000	38
31.7	212	4	44.1	6.7	MN 2E 200		802-4	15000	18000	38
112	59	5.37	12.5	8.7	MN 1E 200		802-4	15000	18000	38

P₁ = 1.1kW n₁ = 1400rpm										
0.718	13020	2.36	1950	11.2		MN 4E 428	90S-4	90000	97500	268
0.718	13020	1.6	1950	9.5		MN 4E 355	90S-4	71000	80000	204
0.921	10150	2.36	1519	9.2		MN 4E 355	90S-4	71000	80000	204
1.11	8460	2.8	1266	9.5		MN 4E 355	90S-4	71000	80000	204
1.04	8950	2	1341	8.5		MN 4E 354	90S-4	71000	80000	204
1.23	7600	2.36	1138	8.5		MN 4E 354	90S-4	71000	80000	204
1.26	7420	2	1111	8	MN4E 353		90S-4	60000	67000	171
1.58	5920	2.5	887	8	MN 4E 353		90S-4	60000	67000	171
1.91	4900	0.9	734	8	MN 4E 353		90S-4	60000	67000	171
2.3	4060	3.55	608	8	MN 4E 353		90S-4	60000	67000	171
2.09	4470	3.55	670	6.7	MN 4E 280		90S-4	47500	53000	117
3.16	2950	3.15	442	6.7	MN 4E 280		90S-4	47500	53000	117
2.29	4090	2.12	613	5.6	MN 4E 241		90S-4	30000	35500	87
2.65	3520	1.7	527	5.6	MN 4E 241		90S-4	30000	35500	87
3.32	2810	2.12	421	5.6	MN 4E 241		90S-4	30000	35500	87
3.92	2390	2.5	357	5.6	MN 4E 241		90S-4	30000	35500	87
3.2	2990	1.32	437	7.5	MN 3E 241		90S-4	30000	35500	80
3.32	2810	1.32	421	5.3	MN 4E 240		90S-4	30000	35500	79
3.92	2390	1.5	357	5.3	MN 4E 240		90S-4	30000	35500	79
3.77	2540	0.95	371	7.1	MN 3E 240		90S-4	30000	35500	72



技术参数

TECHNICAL DATA

$P_1 = 1.1 \text{ kW}$ $n_1 = 1400 \text{ rpm}$										
n_2 rpm	M_2 Nm	f_s	i	P_t KW				Fr_{2MAX} [N]		 Kg
								C	S	
4.84	1930	3	290	5.6	MN 4E 241		90S-4	30000	35500	87
3.77	2540	1.5	371	7.5	MN 3E 241		90S-4	30000	35500	80
4.38	2180	2.12	320	7.5	MN 3E 241		90S-4	30000	35500	80
5.29	1810	2.5	265	7.5	MN 3E 241		90S-4	30000	35500	80
6.62	1440	3.55	211	7.5	MN 3E 241		90S-4	30000	35500	80
7.8	1230	4	179	7.5	MN 3E 241		90S-4	30000	35500	80
4.84	1930	1.8	290	5.3	MN 4E 240		90S-4	30000	35500	79
4.38	2180	1.32	320	7.1	MN 3E 240		90S-4	30000	35500	72
5.29	1810	1.6	265	7.1	MN 3E 240		90S-4	30000	35500	72
6.62	1440	2.12	211	7.1	MN 3E 240		90S-4	30000	35500	72
7.8	1230	2.5	179	7.1	MN 3E 240		90S-4	30000	35500	72
9.43	1010	2.8	149	7.1	MN 3E 240		90S-4	30000	35500	72
10.9	870	3.75	128	7.1	MN 3E 240		90S-4	30000	35500	72
5.48	1740	1.18	255	6.3	MN 3E 201		90S-4	19000	22400	56
6.46	1480	1.4	217	6.3	MN 3E 201		90S-4	19000	22400	56
7.8	1230	1.7	179	6.3	MN 3E 201		90S-4	19000	22400	56
10.9	870	2.24	128	6.3	MN 3E 201		90S-4	19000	22400	56
9.43	1010	2	149	6.3	MN 3E 201		90S-4	19000	22400	56
13.7	700	2.8	102	6.3	MN 3E 201		90S-4	19000	22400	56
16.2	590	3.15	86.6	6.3	MN 3E 201		90S-4	19000	22400	56
19.9	479	4	70.2	6.3	MN 3E 201		90S-4	19000	22400	56
23.5	407	4.5	59.6	6.3	MN 3E 201		90S-4	19000	22400	56
7.8	1230	1	179	6	MN 3E 200		90S-4	15000	18000	53
9.43	1010	1.18	149	6	MN 3E 200		90S-4	15000	18000	53
10.9	870	1.4	128	6	MN 3E 200		90S-4	15000	18000	53
13.7	700	1.7	102	6	MN 3E 200		90S-4	15000	18000	53
16.2	590	1.9	86.6	6	MN 3E 200		90S-4	15000	18000	53
19.9	479	2.36	70.2	6	MN 3E 200		90S-4	15000	18000	53
23.5	407	2.65	59.6	6	MN 3E 200		90S-4	15000	18000	53
27.7	345	3.15	50.5	6	MN 3E 200		90S-4	15000	18000	53
27.3	361	1.9	51.2	6.7	MN 2E 200		90S-4	15000	18000	46
31.7	311	2.8	44.1	6.7	MN 2E 200		90S-4	15000	18000	46
39.7	248	4.25	35.2	6.7	MN 2E 200		90S-4	15000	18000	46
46.8	211	4.75	29.9	6.7	MN 2E 200		90S-4	15000	18000	46
56.6	175	5.6	24.8	6.7	MN 2E 200		90S-4	15000	18000	46
112	87	3.65	12.5	8.7	MN 1E 200		90S-4	15000	18000	38
125	78	4.67	11.2	8.7	MN 1E 200		90S-4	15000	18000	38
140	70	5.91	10	8.7	MN 1E 200		90S-4	15000	18000	38

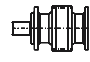


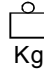
$P_1 = 1.5 \text{ kW}$ $n_1 = 1400 \text{ rpm}$									
--	--	--	--	--	--	--	--	--	--

0.821	15540	2.65	1706	13.2		MN 4E 429	90L-4	100000	106000	323
0.862	14800	2	1625	11.2		MN 4E 428	90L-4	90000	97500	268



技术参数

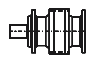
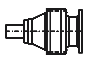


TECHNICAL DATA

$P_1 = 1.5\text{kW}$ $n_1 = 1400\text{rpm}$											
n_2 rpm	M_2 Nm	f_s	i	P_t KW				Fr_{2MAX} [N]		 Kg	
								C	S		
1.11	11530	2.65	1266	11.2			MN 4E 428	90L-4	90000	97500	268
1.11	11530	2	1266	9.5			MN 4E 355	90L-4	71000	80000	204
1.3	9790	2.36	1075	9.5			MN 4E 355	90L-4	71000	80000	204
1.57	8100	3	890	9.5			MN 4E 355	90L-4	71000	80000	204
1.52	8370	2.12	919	8.5			MN 4E 354	90L-4	71000	80000	187
1.91	6680	2.8	734	8.5			MN 4E 354	90L-4	71000	80000	187
1.91	6680	2.12	734	8	MN 4E 353			90L-4	60000	67000	171
2.3	5530	2.5	608	8	MN 4E 353			90L-4	71000	80000	171
2.68	4760	3	523	8	MN 4E 353			90L-4	71000	80000	171
3.35	3800	3.55	418	8	MN 4E 353			90L-4	60000	67000	171
3.16	4030	2.24	442	6.7	MN 4E 280			90L-4	47500	53000	117
3.73	3420	2.65	375	6.7	MN 4E 280			90L-4	47500	53000	117
3.77	3460	1.8	371	9.5	MN 3E 280			90L-4	47500	53000	109
4.52	2880	2.5	310	9.5	MN 3E 280			90L-4	47500	53000	109
5.33	2450	2.8	263	9.5	MN 3E 280			90L-4	47500	53000	109
3.32	3840	1.5	421	5.6	MN 4E 241			90L-4	30000	35500	87
3.92	3250	1.8	357	5.6	MN 4E 241			90L-4	30000	35500	87
4.84	2640	2.12	290	5.6	MN 4E 241			90L-4	30000	35500	87
3.2	4070	0.95	437	7.5	MN 3E 241			90L-4	30000	35500	80
3.77	3460	1.12	371	7.5	MN 3E 241			90L-4	30000	35500	80
4.38	2980	1.6	320	7.5	MN 3E 241			90L-4	30000	35500	80
5.29	2460	1.9	265	7.5	MN 3E 241			90L-4	30000	35500	80
6.62	1970	2.5	211	7.5	MN 3E 241			90L-4	30000	35500	80
7.8	1670	3	179	7.5	MN 3E 241			90L-4	30000	35500	80
9.43	1380	3.35	149	7.5	MN 3E 241			90L-4	30000	35500	80
10.9	1190	4.25	128	7.5	MN 3E 241			90L-4	30000	35500	80
3.92	3250	1.12	357	5.3	MN 4E 240			90L-4	30000	35500	79
4.84	2640	1.32	290	5.3	MN 4E 240			90L-4	30000	35500	79
4.38	2980	0.95	320	7.1	MN 3E 240			90L-4	30000	35500	72
5.29	2460	1.12	265	7.1	MN 3E 240			90L-4	30000	35500	72
6.62	1970	1.6	211	7.1	MN 3E 240			90L-4	30000	35500	72
7.8	1670	1.8	179	7.1	MN 3E 240			90L-4	30000	35500	72
9.43	1380	2.12	149	7.1	MN 3E 240			90L-4	30000	35500	72
10.9	1190	2.65	128	7.1	MN 3E 240			90L-4	30000	35500	72
13.7	950	3.35	102	7.1	MN 3E 240			90L-4	30000	35500	72
6.46	2020	1.06	217	6.3	MN 3E 201			90L-4	19000	22400	56
7.8	1670	1.25	179	6.3	MN 3E 201			90L-4	19000	22400	56
9.43	1380	1.5	149	6.3	MN 3E 201			90L-4	19000	22400	56
10.9	1190	1.7	128	6.3	MN 3E 201			90L-4	19000	22400	56
13.7	950	2	102	6.3	MN 3E 201			90L-4	19000	22400	56
9.43	1380	0.9	149	6	MN 3E 200			90L-4	15000	18000	53
10.9	1190	1	128	6	MN 3E 200			90L-4	15000	18000	53
13.7	950	1.25	102	6	MN 3E 200			90L-4	15000	18000	53



技术参数

TECHNICAL DATA

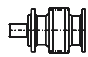
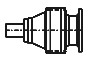

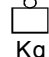
$P_1 = 1.5\text{kW}$ $n_1 = 1400\text{rpm}$										
n_2 rpm	M_2 Nm	f_s	i	P_t KW				F_{r2MAX} [N]		 Kg
								C	S	
16.2	810	3.75	86.6	7.1	MN 3E 240		90L-4	30000	35500	72
16.2	810	2.36	86.6	6.3	MN 3E 201		90L-4	19000	22400	56
19.9	650	2.8	70.2	6.3	MN 3E 201		90L-4	19000	22400	56
23.5	550	3.35	59.6	6.3	MN 3E 201		90L-4	19000	22400	56
27.7	471	3.55	50.5	6.3	MN 3E 201		90L-4	19000	22400	56
27.3	493	2.5	51.2	7.1	MN 2E 201		90L-4	19000	22400	48
31.7	424	3.55	44.1	7.1	MN 2E 201		90L-4	19000	22400	48
16.2	810	1.4	86.6	6	MN 3E 200		90L-4	15000	18000	53
19.9	650	1.7	70.2	6	MN 3E 200		90L-4	15000	18000	53
23.5	550	2	59.6	6	MN 3E 200		90L-4	15000	18000	53
27.7	471	2.36	50.5	6	MN 3E 200		90L-4	15000	18000	53
27.3	493	1.4	51.2	6.7	MN 2E 200		90L-4	15000	18000	46
31.7	424	2	44.1	6.7	MN 2E 200		90L-4	15000	18000	46
39.7	339	3.15	35.2	6.7	MN 2E 200		90L-4	15000	18000	46
46.8	288	3.55	29.9	6.7	MN 2E 200		90L-4	15000	18000	46
56.6	238	4	24.8	6.7	MN 2E 200		90L-4	15000	18000	46
65.7	205	4.5	21.3	6.7	MN 2E 200		90L-4	15000	18000	46
82.3	164	5.3	17	6.7	MN 2E 200		90L-4	15000	18000	46
97	139	5.6	14.4	6.7	MN 2E 200		90L-4	15000	18000	46
114	118	5.3	12.3	6.7	MN 2E 200		90L-4	15000	18000	46
112	119	2.67	12.5	8.7	MN 1E 200		90L-4	15000	18000	40
125	107	3.41	11.2	8.7	MN 1E 200		90L-4	15000	18000	40
140	95	4.31	10	8.7	MN 1E 200		90L-4	15000	18000	40
156	86	5.82	9	8.7	MN 1E 200		90L-4	15000	18000	40
112	116	4.5	12.5	8.7	MN 1E 200		90L-4	15000	18000	40
125	104	5.9	11.2	8.7	MN 1E 200		90L-4	15000	18000	40

$P_1 = 2.2\text{kW}$ $n_1 = 1400\text{rpm}$										
1.02	18260	2.8	1367	14.5		MN 4E 445	100L1-4	112000	118000	402
1.24	15080	2.5	1129	13.2		MN 4E 429	100L1-4	100000	106000	342
1.3	14360	2.12	1075	11.2		MN 4E 428	100L1-4	90000	97500	287
1.57	11880	2.5	890	11.2		MN 4E 428	100L1-4	90000	97500	280
1.57	11880	2.12	890	9.5		MN 4E 355	100L1-4	71000	80000	215
1.82	10300	2.36	771	9.5		MN 4E 355	100L1-4	71000	80000	215
2.19	8520	2.8	638	9.5		MN 4E 355	100L1-4	71000	80000	215
1.91	9800	2	734	8.5		MN 4E 354	100L1-4	71000	80000	199
2.3	8110	2.24	608	8.5		MN 4E 354	100L1-4	71000	80000	199
2.68	6990	2.65	523	8.5		MN 4E 354	100L1-4	71000	80000	199
2.68	6990	2	523	8		MN 4E 353	100L1-4	60000	67000	183
3.35	5580	2.5	418	8		MN 4E 353	100L1-4	60000	67000	199
3.95	4730	2.8	354	8		MN 4E 353	100L1-4	60000	67000	199
3.63	5270	1.7	386	11.8		MN 3E 353	100L1-4	60000	67000	176



技术参数

TECHNICAL DATA

$P_1 = 2.2\text{kW}$ $n_1 = 1400\text{rpm}$										
n_2 rpm	M_2 Nm	f_s	i	P_t KW				F_{r2MAX} [N]		 Kg
								C	S	
4.31	4440	2.36	325	11.2	MN 3E 353		100L1-4	60000	67000	176
5.42	3450	2.5	258	6.7	MN 4E 280		100L1-4	47500	53000	129
4.6	4060	2.12	304	6.7	MN 4E 280		100L1-4	47500	53000	129
4.52	4230	1.7	310	9.5	MN 3E 280		100L1-4	47500	53000	121
5.33	3590	1.9	263	9.5	MN 3E 280		100L1-4	47500	53000	121
6.31	3030	2.36	222	9.5	MN 3E 280		100L1-4	47500	53000	121
8.97	2130	3.35	156	9.5	MN 3E 280		100L1-4	47500	53000	121
4.84	3870	1.5	290	5.6	MN 4E 241		100L1-4	30000	35500	99
5.29	3610	1.25	265	7.5	MN 3E 241		100L1-4	30000	35500	92
6.62	2890	1.7	211	7.5	MN 3E 241		100L1-4	30000	35500	92
7.8	2450	2	179	7.5	MN 3E 241		100L1-4	30000	35500	92
9.43	2030	2.36	149	7.5	MN 3E 241		100L1-4	30000	35500	92
10.9	1750	3	128	7.5	MN 3E 241		100L1-4	30000	35500	92
13.7	1390	3.55	102	7.5	MN 3E 241		100L1-4	30000	35500	92
16.2	1180	4.25	86.6	7.5	MN 3E 241		100L1-4	30000	35500	92
6.62	2890	16	211	7.1	MN 3E 240		100L1-4	30000	35500	84
7.8	2450	1.25	179	7.1	MN 3E 240		100L1-4	30000	35500	84
9.43	2030	1.4	149	7.1	MN 3E 240		100L1-4	30000	35500	84
10.9	1750	1.8	128	7.1	MN 3E 240		100L1-4	30000	35500	84
13.7	1390	2.24	102	7.1	MN 3E 240		100L1-4	30000	35500	84
16.2	1180	2.5	86.6	7.1	MN 3E 240		100L1-4	30000	35500	84
19.9	960	3.15	70.2	7.1	MN 3E 240		100L1-4	30000	35500	84
23.5	810	3.55	59.6	7.1	MN 3E 240		100L1-4	30000	35500	84
27.7	690	3.55	50.5	7.1	MN 3E 240		100L1-4	30000	35500	84
27.3	720	2.36	51.2	9	MN 2E 240		100L1-4	30000	35500	77
32.2	610	3	43.5	9	MN 2E 240		100L1-4	30000	35500	77
37.4	530	3.55	37.5	9	MN 2E 240		100L1-4	30000	35500	77
9.43	2030	1	149	6.3	MN 3E 201		100L1-4	19000	22400	68
10.9	1750	1.12	128	6.3	MN 3E 201		100L1-4	19000	22400	68
13.7	1390	1.4	102	6.3	MN 3E 201		100L1-4	19000	22400	68
16.2	1180	1.6	86.6	6.3	MN 3E 201		100L1-4	19000	22400	68
19.9	960	2	70.2	6.3	MN 3E 201		100L1-4	19000	22400	68
23.5	810	2.24	59.6	6.3	MN 3E 201		100L1-4	19000	22400	68
27.7	690	2.5	50.5	6.3	MN 3E 201		100L1-4	19000	22400	68
27.3	720	1.7	51.2	7.1	MN 2E 201		100L1-4	19000	22400	60
31.7	620	2.36	44.1	7.1	MN 2E 201		100L1-4	19000	22400	60
37.4	530	2.65	37.5	7.1	MN 2E 201		100L1-4	19000	22400	60
16.2	1180	0.95	86.6	6	MN 3E 200		100L1-4	15000	18000	65
19.9	960	1.18	70.2	6	MN 3E 200		100L1-4	15000	18000	65
23.5	810	1.32	59.6	6	MN 3E 200		100L1-4	15000	18000	65
27.7	690	1.6	50.5	6	MN 3E 200		100L1-4	15000	18000	65
27.3	720	0.95	51.2	6.7	MN 2E 200		100L1-4	15000	18000	57
31.7	620	1.4	44.1	6.7	MN 2E 200		100L1-4	15000	18000	57
39.7	497	2.12	35.2	6.7	MN 2E 200		100L1-4	15000	18000	57



技术参数

TECHNICAL DATA

$P_1 = 2.2\text{kW}$ $n_1 = 1400\text{rpm}$									
--	--	--	--	--	--	--	--	--	--

n ₂ rpm	M ₂ Nm	f _s	i	P _t KW				Fr _{2MAX} [N]		 Kg
								C	S	
112	170	3.89	12.5	16.4	MN 1E 280		100L1-4	47500	53000	110
112	170	3.07	12.5	13.5	MN 1E 240		100L1-4	30000	35500	66
125	152	4.02	11.2	13.5	MN 1E 240		100L1-4	30000	35500	66
46.8	422	3.55	29.9	7.1	MN 2E 201		100L1-4	19000	22400	60
46.8	422	2.36	29.9	6.7	MN 2E 200		100L1-4	15000	18000	57
56.6	349	2.8	24.8	6.7	MN 2E 200		100L1-4	15000	18000	57
65.7	301	3	21.3	6.7	MN 2E 200		100L1-4	15000	18000	57
82.3	240	3.55	17	6.7	MN 2E 200		100L1-4	15000	18000	57
97	204	4	14.4	6.7	MN 2E 200		100L1-4	15000	18000	57
114	173	3.55	12.3	6.7	MN 2E 200		100L1-4	15000	18000	57
112	175	1.81	12.5	8.7	MN 1E 200		100L1-4	15000	18000	44
125	157	2.32	11.2	8.7	MN 1E 200		100L1-4	15000	18000	44
140	140	2.93	10	8.7	MN 1E 200		100L1-4	15000	18000	44
156	126	3.95	9	8.7	MN 1E 200		100L1-4	15000	18000	44
175	112	5.05	8	8.7	MN 1E 200		100L1-4	15000	18000	44

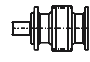


$P_1 = 3\text{kW}$ $n_1 = 1400\text{rpm}$									
--	--	--	--	--	--	--	--	--	--

1.01	25290	2.36	1388	15.6		MN 4E 446	100L2-4	125000	132000	411
1.24	20600	2.36	1131	14.5		MN 4E 445	100L2-4	112000	118000	395
1.5	17020	2.5	934	13.2		MN 4E 429	100L2-4	100000	106000	335
1.92	13260	3.55	728	13.2		MN 4E 429	100L2-4	100000	106000	335
1.82	14040	2.12	771	11.2		MN 4E 428	100L2-4	90000	97500	287
2.19	11620	2.5	638	11.2		MN 4E 428	100L2-4	90000	97500	287
2.19	11620	2	638	9.5		MN 4E 355	100L2-4	71000	80000	215
2.55	10010	2.36	550	9.5		MN 4E 355	100L2-4	71000	80000	215
2.68	9530	2	523	8.5		MN 4E 354	100L2-4	71000	80000	199
3.8	6710	2.36	368	8.5		MN 4E 354	100L2-4	71000	80000	199
3.63	7180	1.8	386	11.8		MN 3E 354	100L2-4	71000	80000	192
4.39	5940	2.12	319	11.8		MN 3E 354	100L2-4	71000	80000	192
5.17	5050	2.36	271	11.8		MN 3E 354	100L2-4	71000	80000	192
3.35	7610	1.8	418	8.8	MN 4E 353		100L2-4	60000	67000	183
3.95	6450	2.12	354	8.8	MN 4E 353		100L2-4	60000	67000	183
4.66	5480	2.36	301	8.8	MN 4E 353		100L2-4	60000	67000	183
5.41	4720	2.8	259	8.8	MN 4E 353		100L2-4	60000	67000	183
3.63	7180	1.25	386	11.2	MN 3E 353		100L2-4	60000	67000	176
4.31	6050	1.7	325	11.2	MN 3E 353		100L2-4	60000	67000	176
5.07	5140	2	276	11.2	MN 3E 353		100L2-4	60000	67000	176
6.13	4250	2.5	228	11.2	MN 3E 353		100L2-4	60000	67000	176
6.31	4130	1.8	222	9.5	MN 3E 280		100L2-4	47500	53000	121
6.62	3940	1.25	211	7.5	MN 3E 241		100L2-4	30000	35500	92
7.8	3340	1.5	179	7.5	MN 3E 241		100L2-4	30000	35500	92



技术参数

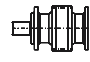


TECHNICAL DATA

P ₁ = 3kW n ₁ = 1400rpm										
n ₂ rpm	M ₂ Nm	f _s	i	Pt KW				Fr ₂ MAX [N]		Kg
								C	S	
7.87	3310	3.55	178	9.5	MN 3E 353		100L2-4	60000	67000	176
9.51	2740	4.25	147	11.2	MN 3E 353		100L2-4	60000	67000	176
7.43	3510	2.12	189	9.5	MN 3E 280		100L2-4	47500	53000	121
8.97	2910	2.5	156	9.5	MN 3E 280		100L2-4	47500	53000	121
10.4	2500	3.15	134	9.5	MN 3E 280		100L2-4	47500	53000	121
13.1	2000	4	107	9.5	MN 3E 280		100L2-4	47500	53000	121
9.43	2770	1.7	149	7.5	MN 3E 241		100L2-4	30000	35500	92
10.9	2380	2.12	128	7.5	MN 3E 241		100L2-4	30000	35500	92
13.7	1900	2.65	102	7.5	MN 3E 241		100L2-4	30000	35500	92
16.2	1610	3.15	86.6	7.5	MN 3E 241		100L2-4	30000	35500	92
19.9	1310	3.75	70.2	7.5	MN 3E 241		100L2-4	30000	35500	92
23.5	1110	4.25	59.6	7.5	MN 3E 241		100L2-4	30000	35500	92
27.3	990	3.15	51.2	9.5	MN 2E 241		100L2-4	30000	35500	85
32.2	840	3.55	43.5	9.5	MN 2E 241		100L2-4	30000	35500	85
37.4	720	4.75	37.5	9.5	MN 2E 241		100L2-4	30000	35500	85
9.43	2770	1.06	149	7.1	MN 3E 240		100L2-4	30000	35500	84
10.9	2380	1.32	128	7.1	MN 3E 240		100L2-4	30000	35500	84
13.7	1900	1.6	102	7.1	MN 3E 240		100L2-4	30000	35500	84
16.2	1610	1.9	86.6	7.1	MN 3E 240		100L2-4	30000	35500	84
19.9	1310	2.24	70.2	7.1	MN 3E 240		100L2-4	30000	35500	84
23.5	1110	2.65	59.6	7.1	MN 3E 240		100L2-4	30000	35500	84
27.7	940	2.65	50.5	7.1	MN 3E 240		100L2-4	30000	35500	84
27.3	990	1.7	51.2	9	MN 2E 240		100L2-4	30000	35500	77
32.2	840	2.12	43.5	9	MN 2E 240		100L2-4	30000	35500	77
37.4	720	2.65	37.5	9	MN 2E 240		100L2-4	30000	35500	77
45.2	600	3.55	31	9	MN 2E 240		100L2-4	30000	35500	77
13.7	1900	1	102	6.3	MN 3E 201		100L2-4	19000	22400	68
16.2	1610	1.18	86.6	6.3	MN 3E 201		100L2-4	19000	22400	68
19.9	1310	1.4	70.2	6.3	MN 3E 201		100L2-4	19000	22400	68
23.5	1110	1.7	59.6	6.3	MN 3E 201		100L2-4	19000	22400	68
27.7	940	1.8	50.5	6.3	MN 3E 201		100L2-4	19000	22400	68
27.3	990	1.25	51.2	7.1	MN 2E 201		100L2-4	19000	22400	60
31.7	850	1.7	44.1	7.1	MN 2E 201		100L2-4	19000	22400	60
37.4	720	1.9	37.5	7.1	MN 2E 201		100L2-4	19000	22400	60
46.8	580	2.65	29.9	7.1	MN 2E 201		100L2-4	19000	22400	60
56.6	476	3.35	24.8	7.1	MN 2E 201		100L2-4	19000	22400	60
65.7	410	3.75	21.3	7.1	MN 2E 201		100L2-4	19000	22400	60
23.5	1110	1	59.6	6.7	MN 3E 200		100L2-4	15000	18000	65
27.7	940	1.18	50.5	6.7	MN 3E 200		100L2-4	15000	18000	65
31.7	850	1	44.1	6.7	MN 2E 200		100L2-4	15000	18000	57
39.7	680	1.5	35.2	6.7	MN 2E 200		100L2-4	15000	18000	57
46.8	580	1.8	29.9	6.7	MN 2E 200		100L2-4	15000	18000	57
56.6	476		24.8	6.7	MN 2E 200		100L2-4	15000	18000	57
65.7	410	2.24	21.3	6.7	MN 2E 200		100L2-4	15000	18000	57



技术参数

TECHNICAL DATA

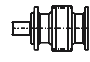


P₁ = 3 kW n₁ = 1400 rpm										
n ₂ rpm	M ₂ Nm	f _s	i	P _t KW				Fr _{2MAX} [N]		Kg
								C	S	
112	232	4.70	12.5	22.8	MN 1E 353		100L2-4	60000	67000	165
112	232	2.85	12.5	16.4	MN 1E 280		100L2-4	47500	53000	114
125	208	4.6	11.2	16.4	MN 1E 280		100L2-4	47500	53000	114
112	232	2.25	12.5	16.4	MN 1E 280		100L2-4	47500	53000	114
125	208	2.95	11.2	13.5	MN 1E 240		100L2-4	30000	35500	70
140	185	4.4	10	13.5	MN 1E 240		100L2-4	30000	35500	70
156	167	5.2	9	13.5	MN 1E 240		100L2-4	30000	35500	70
82.3	327	4.25	17	7.1	MN 2E 201		100L2-4	19000	22400	60
97	278	4.75	14.4	7.1	MN 2E 201		100L2-4	19000	22400	60
114	236	4.75	12.3	7.1	MN 2E 201		100L2-4	19000	22400	60
82.3	327	2.65	17	6.7	MN 2E 200		100L2-4	15000	18000	57
97	278	2.8	14.4	6.7	MN 2E 200		100L2-4	15000	18000	57
114	236	2.65	12.3	6.7	MN 2E 200		100L2-4	15000	18000	57
112	239	1.33	12.5	8.7	MN 1E 200		100L2-4	15000	18000	70
125	214	1.7	11.2	8.7	MN 1E 200		100L2-4	15000	18000	70
140	191	2.15	10	8.7	MN 1E 200		100L2-4	15000	18000	70
156	172	2.9	9	8.7	MN 1E 200		100L2-4	15000	18000	70
175	153	3.7	8	8.7	MN 1E 200		100L2-4	15000	18000	70
197	136	5.5	7.1	8.7	MN 1E 200		100L2-4	15000	18000	70

P₁ = 4 kW n₁ = 1400 rpm										
0.984	34560	2.36	1423	19.5		MN 4E 542	112M-4	150000	190000	627
1.26	26930	3	1109	19.5		MN 4E 542	112M-4	150000	190000	627
1.47	23150	2.5	953	14.5		MN 4E 445	112M-4	112000	118000	402
1.92	17680	2.65	728	13.2		MN 4E 429	112M-4	100000	106000	342
2.32	14630	3	602	13.2		MN 4E 429	112M-4	100000	106000	342
2.19	15500	1.9	638	11.2		MN 4E 428	112M-4	90000	97500	287
2.55	13350	2.36	550	11.2		MN 4E 428	112M-4	90000	97500	287
3.19	10650	3	439	11.2		MN 4E 428	112M-4	90000	97500	287
2.55	13350	1.8	550	9.5		MN 4E 355	112M-4	71000	80000	222
3.19	10650	2.12	439	9.5		MN 4E 355	112M-4	71000	80000	222
3.76	9040	2.36	372	9.5		MN 4E 355	112M-4	71000	80000	222
4.64	7330	2.8	302	9.5		MN 4E 355	112M-4	71000	80000	222
4.21	8260	1.8	333	13.2		MN 3E 355	112M-4	71000	80000	215
5	6960	2.36	280	13.2		MN 3E 355	112M-4	71000	80000	215
3.8	8950	1.8	368	8.5		MN 4E 354	112M-4	71000	80000	206
4.48	7590	2	313	8.5		MN 4E 354	112M-4	71000	80000	206
5.28	6440	2.36	265	8.5		MN 4E 354	112M-4	71000	80000	206
3.63	9580	1.32	386	11.8		MN 3E 354	112M-4	71000	80000	199
4.39	7930	1.6	319	11.8		MN 3E 354	112M-4	71000	80000	199
5.17	6730	1.8	271	11.8		MN 3E 354	112M-4	71000	80000	199
6.13	5670	2.5	228	11.8		MN 3E 354	112M-4	71000	80000	199
7.12	4880	3	197	11.8		MN 3E 354	112M-4	71000	80000	199



技术参数

TECHNICAL DATA

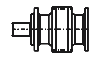


P ₁ = 4 kW n ₁ = 1400 rpm										
n ₂ rpm	M ₂ Nm	f _s	i	P _t KW				Fr _{2MAX} [N]		Kg
								C	S	
5.41	6290	2	259	8.8	MN 4E 353		112M-4	60000	67000	201
5.07	6850	1.5	276	11.2	MN 3E 353		112M-4	60000	67000	183
6.13	5670	1.9	228	11.2	MN 3E 353		112M-4	60000	67000	183
7.87	4420	2.65	178	11.2	MN 3E 353		112M-4	60000	67000	183
9.51	3660	3.15	147	11.2	MN 3E 353		112M-4	60000	67000	183
11	3150	3.75	127	11.2	MN 3E 353		112M-4	60000	67000	183
8.97	3870	1.9	156	9.5	MN 3E 280		112M-4	47500	53000	128
10.4	3340	2.36	134	9.5	MN 3E 280		112M-4	47500	53000	128
13.1	2660	3	107	9.5	MN 3E 280		112M-4	47500	53000	128
15.2	2290	3.35	92.4	9.5	MN 3E 280		112M-4	47500	53000	128
9.43	3690	1.25	149	7.5	MN 3E 241		112M-4	30000	35500	99
10.9	3180	1.6	128	7.5	MN 3E 241		112M-4	30000	35500	99
13.7	2530	2	102	7.5	MN 3E 241		112M-4	30000	35500	99
16.2	2150	2.36	86.6	7.5	MN 3E 241		112M-4	30000	35500	99
19.9	1740	2.8	70.2	7.5	MN 3E 241		112M-4	30000	35500	99
23.5	1480	3.15	59.6	7.5	MN 3E 241		112M-4	30000	35500	99
27.7	1250	3.55	50.5	7.5	MN 3E 241		112M-4	30000	35500	99
27.3	1310	2.36	51.2	7.5	MN 2E 241		112M-4	30000	35500	92
32.2	1120	2.65	43.5	9.5	MN 2E 241		112M-4	30000	35500	92
37.4	960	3.55	37.5	9.5	MN 2E 241		112M-4	30000	35500	92
45.2	800	4.5	31	9.5	MN 2E 241		112M-4	30000	35500	92
13.7	2530	1.25	102	9.5	MN 3E 240		112M-4	30000	35500	91
16.2	2150	1.4	86.6	7.1	MN 3E 240		112M-4	30000	35500	91
19.9	1740	1.7	70.2	7.1	MN 3E 240		112M-4	30000	35500	91
23.5	1480	2	59.6	7.1	MN 3E 240		112M-4	30000	35500	91
27.7	1250	2	50.5	7.1	MN 3E 240		112M-4	30000	35500	91
27.3	1310	1.32	51.2	9	MN 2E 240		112M-4	30000	35500	84
32.2	1120	1.6	43.5	9	MN 2E 240		112M-4	30000	35500	84
37.4	960	2	37.5	9	MN 2E 240		112M-4	30000	35500	84
45.2	800	2.65	31	9	MN 2E 240		112M-4	30000	35500	84
56.6	630	3.35	24.8	9	MN 2E 240		112M-4	30000	35500	84
16.2	2150	0.9	86.6	6.3	MN 3E 201		112M-4	19000	22400	75
19.9	1740	1.06	70.2	6.3	MN 3E 201		112M-4	19000	22400	75
23.5	1480	1.25	59.6	6.3	MN 3E 201		112M-4	19000	22400	75
27.7	1250	1.32	50.5	6.3	MN 3E 201		112M-4	19000	22400	75
27.3	1310	0.95	51.2	7.1	MN 2E 201		112M-4	19000	22400	67
31.7	1130	1.32	44.1	7.1	MN 2E 201		112M-4	19000	22400	67
37.4	960	1.4	37.5	7.1	MN 2E 201		112M-4	19000	22400	67
46.8	770	2	29.9	7.1	MN 2E 201		112M-4	19000	22400	67
56.6	630	2.5	24.8	7.1	MN 2E 201		112M-4	19000	22400	67
39.7	900	1.18	35.2	6.7	MN 2E 200		112M-4	15000	18000	64
46.8	770	1.32	29.9	6.7	MN 2E 200		112M-4	15000	18000	64
56.6	630	1.5	24.8	6.7	MN 2E 200		112M-4	15000	18000	64



技术参数

TECHNICAL DATA

$P_1 = 4 \text{ kW}$ $n_1 = 1400 \text{ rpm}$

n ₂ rpm	M ₂ Nm	f _s	i	P _t KW				Fr _{2MAX} [N]		Kg
								C	S	
65.7	550	2.8	21.3	7.1	MN 2E 201		112M-4	19000	18000	67
82.3	436	3.15	17	7.1	MN 2E 201		112M-4	19000	22400	67
97	370	3.55	14.4	7.1	MN 2E 201		112M-4	19000	22400	67
65.7	550	1.7	21.3	6.7	MN 2E 200		112M-4	15000	18000	64
82.3	436	1.9	17	6.7	MN 2E 200		112M-4	15000	19000	64
97	370	2.12	14.4	6.7	MN 2E 200		112M-4	15000	18000	64
114	314	2	12.3	6.7	MN 2E 200		112M-4	15000	18000	64
114	314	3.55	12.3	7.1	MN 2E 201		112M-4	19000	22400	67
112	309	3.53	12.5	22.8	MN 1E 353		112M-4	60000	67000	176
125	277	4.50	11.2	22.8	MN 1E 353		112M-4	60000	67000	176
112	309	2.14	12.5	16.4	MN 1E 280		112M-4	47500	53000	125
125	277	3.45	11.2	16.4	MN 1E 280		112M-4	47500	53000	125
140	247	4.80	10	16.4	MN 1E 280		112M-4	47500	53000	125
156	222	5.63	9	16.4	MN 1E 280		112M-4	47500	53000	125
112	309	1.69	12.5	13.5	MN 1E 240		112M-4	30000	35500	81
125	277	2.21	11.2	13.5	MN 1E 240		112M-4	30000	35500	81
140	247	3.30	10	13.5	MN 1E 240		112M-4	30000	35500	81
156	222	3.90	9	13.5	MN 1E 240		112M-4	30000	35500	81
175	198	5.10	8	13.5	MN 1E 240		112M-4	30000	35500	81
112	328	1.00	12.5	8.7	MN 1E 200		112M-4	15000	18000	59
125	294	1.28	11.2	8.7	MN 1E 200		112M-4	15000	18000	59
140	263	1.61	10	8.7	MN 1E 200		112M-4	15000	18000	59
156	236	2.18	9	8.7	MN 1E 200		112M-4	15000	18000	59
175	210	2.78	8	8.7	MN 1E 200		112M-4	15000	18000	59
197	186	4.13	7.1	8.7	MN 1E 200		112M-4	15000	18000	59
222	165	5.25	6.3	8.7	MN 1E 200		112M-4	15000	18000	59

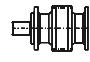


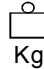
$P_1 = 5.5 \text{ kW}$ $n_1 = 1400 \text{ rpm}$

0.935	49980	2.5	1497	25.8	MN 4E 695		132S-4	250000	265000	1121
1.22	38450	2.8	1151	21.2	MN 4E 543		132S-4	180000	190000	763
1.26	37020	2.12	1109	19.5	MN 4E 542		132S-4	150000	160000	634
1.5	31200	3	934	19.5	MN 4E 542		132S-4	150000	160000	634
1.88	24800	2.8	743	15.5	MN 4E 446		132S-4	125000	132000	451
2.06	22680	2.5	679	14.5	MN 4E 445		132S-4	112000	118000	435
3.38	13830	3.15	414	13.2	MN 4E 429		132S-4	100000	106000	374
3.19	14650	2.12	439	11.2	MN 4E 428		132S-4	90000	97500	320
3.71	12620	2.36	378	11.2	MN 4E 428		132S-4	90000	97500	320
3.76	12430	1.7	372	9.5	MN 4E 355		132S-4	71000	80000	255



技术参数

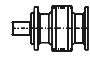


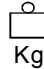
TECHNICAL DATA

$P_1 = 5.5 \text{ kW}$ $n_1 = 1400 \text{ rpm}$											
n_2 rpm	M_2 Nm	f_s	i	P_t KW				Fr_{2MAX} [N]		 Kg	
								C	S		
3.93	11910	3.55	357	13.2			MN 4E 429	132S-4	100000	106000	374
4.64	10070	3	302	11.2			MN 4E 428	132S-4	90000	97500	320
5.47	8550	3	256	11.2			MN 4E 428	132S-4	90000	97500	320
4.21	11360	1.8	333	16.8			MN 3E 428	132S-4	90000	97500	312
5	9570	2.12	280	16.8			MN 3E 428	132S-4	90000	97500	312
6.13	7800	3.15	228	16.8			MN 3E 428	132S-4	90000	97500	312
4.64	10070	2	302	9.5			MN 4E 355	132S-4	71000	80000	255
5.47	8550	2.24	256	9.5			MN 4E 355	132S-4	71000	80000	255
4.21	11360	1.32	333	13.2			MN 3E 355	132S-4	71000	80000	248
5	9570	1.7	280	13.2			MN 3E 355	132S-4	71000	80000	248
7.87	6080	3.15	178	13.2			MN 3E 355	132S-4	71000	80000	248
6.13	7800	2.24	228	13.2			MN 3E 355	132S-4	71000	80000	248
9.51	5030	3.75	147	13.2			MN 3E 355	132S-4	71000	80000	248
5.28	8860	1.7	265	8.5			MN 4E 354	132S-4	71000	80000	239
4.39	10900	1.12	319	11.8			MN 3E 354	132S-4	71000	80000	232
5.17	9250	1.32	271	11.8			MN 3E 354	132S-4	71000	80000	232
6.13	7800	1.8	228	11.8			MN 3E 354	132S-4	71000	80000	232
7.12	6710	2.24	197	11.8			MN 3E 354	132S-4	71000	80000	232
8.6	5560	2.65	163	11.8			MN 3E 354	132S-4	71000	80000	232
7.87	6080	1.9	178	11.2	MN 3E 353			132S-4	60000	67000	215
9.51	5030	2.24	147	11.2	MN 3E 353			132S-4	60000	67000	215
11	4330	2.8	127	11.2	MN 3E 353			132S-4	60000	67000	215
13.8	3460	3.35	101	11.2	MN 3E 353			132S-4	60000	67000	215
16.1	2980	3.75	87.2	11.2	MN 3E 353			132S-4	60000	67000	215
13.1	3660	2.12	107	9.5	MN 3E 280			132S-4	47500	53000	161
15.2	3150	2.5	92.4	9.5	MN 3E 280			132S-4	47500	53000	161
19	2520	3	73.7	9.5	MN 3E 280			132S-4	47500	53000	161
22.4	2140	3.35	62.6	9.5	MN 3E 280			132S-4	47500	53000	161
26.4	1810	3.35	53.1	9.5	MN 3E 280			132S-4	47500	53000	161
29.6	1610	3.35	47.3	11.8	MN 3E 280			132S-4	47500	53000	161
13.7	3490	1.5	102	7.5	MN 3E 241			132S-4	30000	35500	132
16.2	2960	1.7	86.6	7.5	MN 3E 241			132S-4	30000	35500	132
19.9	2400	2	70.2	7.5	MN 3E 241			132S-4	30000	35500	132
23.5	2030	2.36	59.6	7.5	MN 3E 241			132S-4	30000	35500	132
27.7	1730	2.5	50.5	9.5	MN 3E 241			132S-4	30000	35500	132
27.3	1810	1.7	51.2	9	MN 2E 241			132S-4	30000	35500	124
32.2	1530	1.9	43.5	9.5	MN 2E 241			132S-4	30000	35500	124
16.2	2960	1	86.6	7.1	MN 3E 240			132S-4	30000	35500	124
19.9	2400	1.25	70.2	7.1	MN 3E 240			132S-4	30000	35500	124
23.5	2030	1.4	59.6	7.1	MN 3E 240			132S-4	30000	35500	124
27.7	1730	1.4	50.5	7.1	MN 3E 240			132S-4	30000	35500	124
27.3	1810	0.95	51.2	9	MN 2E 240			132S-4	30000	35500	116
32.2	1530	1.18	43.5	9	MN 2E 240			132S-4	30000	35500	116



技术参数

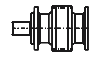


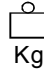
TECHNICAL DATA

$P_1 = 5.5 \text{ kW}$ $n_1 = 1400 \text{ rpm}$										
n_2 rpm	M_2 Nm	f_s	i	P_t KW				Fr_{2MAX} [N]		 Kg
								C	S	
112	425	2.56	12.5	22.8	MN 1E 353		132S-4	60000	67000	186
125	380	3.27	11.2	22.8	MN 1E 353		132S-4	60000	67000	186
140	340	4.96	10	22.8	MN 1E 353		132S-4	60000	67000	186
32.2	1530	3.15	43.5	11.8	MN 2E 280		132S-4	47500	53000	154
38.6	1280	3.75	36.3	11.8	MN 2E 280		132S-4	47500	53000	154
112	425	1.55	12.5	16.4	MN 1E 280		132S-4	47500	53000	135
125	380	2.51	11.2	16.4	MN 1E 280		132S-4	47500	53000	135
140	340	3.49	10	16.4	MN 1E 280		132S-4	47500	53000	135
156	306	4.09	9	16.4	MN 1E 280		132S-4	47500	53000	135
175	272	5.78	8	16.4	MN 1E 280		132S-4	47500	53000	135
37.4	1320	2.5	37.5	9.5	MN 2E 241		132S-4	30000	35500	124
45.2	1090	3.15	31	9.5	MN 2E 241		132S-4	30000	35500	124
56.6	870	3.75	24.8	9.5	MN 2E 241		132S-4	30000	35500	124
37.4	1320	1.4	37.5	9	MN 2E 240		132S-4	30000	35500	116
45.2	1090	2	31	9	MN 2E 240		132S-4	30000	35500	116
56.6	870	2.36	24.8	9	MN 2E 240		132S-4	30000	35500	116
65.7	750	2.8	21.3	9	MN 2E 240		132S-4	30000	35500	116
82.3	600	3.15	17	9	MN 2E 240		132S-4	30000	35500	116
97	510	3.35	14.4	9	MN 2E 240		132S-4	30000	35500	116
114	432	3.35	12.3	9	MN 2E 240		132S-4	30000	35500	116
112	425	1.23	12.5	13.5	MN 1E 240		132S-4	30000	35500	91
125	380	1.61	11.2	13.5	MN 1E 240		132S-4	30000	35500	91
140	340	2.40	10	13.5	MN 1E 240		132S-4	30000	35500	91
156	306	2.84	9	13.5	MN 1E 240		132S-4	30000	35500	91
175	272	3.71	8	13.5	MN 1E 240		132S-4	30000	35500	91
197	241	5.02	7.1	13.5	MN 1E 240		132S-4	30000	35500	91
37.4	1320	1.06	37.5	7.1	MN 2E 201		132S-4	19000	22400	100
46.8	1050	1.4	29.9	7.1	MN 2E 201		132S-4	19000	22400	100
56.6	870	1.8	24.8	7.1	MN 2E 201		132S-4	19000	22400	100
65.7	750	2	21.3	7.1	MN 2E 201		132S-4	19000	22400	100
82.3	600	2.36	17	7.1	MN 2E 201		132S-4	19000	22400	100
97	510	2.65	14.4	7.1	MN 2E 201		132S-4	19000	22400	100
114	432	2.5	12.3	7.1	MN 2E 201		132S-4	19000	22400	100
31.7	1560	0.95	44.1	7.1	MN 2E 201		132S-4	19000	22400	100
46.8	1050	0.95	29.9	6.7	MN 2E 200		132S-4	15000	18000	97
56.6	870	1.12	24.8	6.7	MN 2E 200		132S-4	15000	18000	97
65.7	750	1.18	21.3	6.7	MN 2E 200		132S-4	15000	18000	97
82.3	600	1.4	17	6.7	MN 2E 200		132S-4	15000	18000	97
97	510	1.6	14.4	6.7	MN 2E 200		132S-4	15000	18000	97
114	432	1.4	12.3	6.7	MN 2E 200		132S-4	15000	18000	97
125	380	0.93	11.2	8.7	MN 1E 200		132S-4	15000	18000	69
140	340	1.17	10	8.7	MN 1E 200		132S-4	15000	18000	69
156	306	1.58	9	8.7	MN 1E 200		132S-4	15000	18000	69
175	272	2.02	8	8.7	MN 1E 200		132S-4	15000	18000	69
197	241	3.00	7.1	8.7	MN 1E 200		132S-4	15000	18000	69



技术参数

TECHNICAL DATA

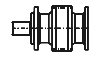


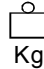
$P_1 = 5.5 \text{ kW}$ $n_1 = 1400 \text{ rpm}$										
n_2 rpm	M_2 Nm	f_s	i	Pt KW				Fr_{2MAX} [N]		 Kg
								C	S	
222	214	3.82	6.3	8.7	MN 1E 200		132S-4	15000	18000	69
250	190	4.75	5.6	8.7	MN 1E 200		132S-4	19000	22400	69

$P_1 = 7.5 \text{ kW}$ $n_1 = 1400 \text{ rpm}$										
0.788	80890	1.6	1777	26.5		MN 4E 696	132M-4	250000	265000	1309
0.935	68160	2.36	1497	26.5		MN 4E 696	132M-4	250000	265000	1309
0.788	80890	1.32	1777	25.8		MN 4E 695	132M-4	250000	265000	1121
0.935	68160	1.9	1497	25.8		MN 4E 695	132M-4	250000	265000	1121
1.2	53110	2.5	1166	25.8		MN 4E 695	132M-4	250000	265000	1121
1.44	44180	2.5	970	21.2		MN 4E 543	132M-4	180000	190000	763
1.8	35450	2.8	779	19.5		MN 4E 542	132M-4	150000	160000	634
2.17	29340	3.15	644	19.5		MN 4E 542	132M-4	150000	160000	634
2.28	27990	2.36	615	15.5		MN 4E 446	132M-4	125000	132000	451
2.73	23320	2.8	512	15.5		MN 4E 446	132M-4	125000	132000	451
3.31	19240	2.8	423	14.5		MN 4E 445	132M-4	112000	118000	435
3.93	16240	2.65	357	13.2		MN 4E 429	132M-4	100000	106000	374
4.92	12970	3.15	285	13.2		MN 4E 429	132M-4	100000	106000	374
4.64	13730	2.12	302	11.2		MN 4E 428	132M-4	90000	97500	320
5.47	11650	2.24	256	11.2		MN 4E 428	132M-4	90000	97500	320
4.21	15490	1.32	333	16.8		MN 3E 428	132M-4	90000	97500	312
5	13050	1.6	280	16.8		MN 3E 428	132M-4	90000	97500	312
6.13	10630	2.24	228	16.8		MN 3E 428	132M-4	90000	97500	312
7.41	8800	2.65	189	16.8		MN 3E 428	132M-4	90000	97500	312
8.89	7330	3.35	158	16.8		MN 3E 428	132M-4	90000	97500	312
5.79	11000	3.75	242	13.2		MN 4E 429	132M-4	100000	106000	374
4.97	13100	2.12	281	19.8		MN 3E 429	132M-4	100000	106000	364
7.01	9300	3.55	200	19.8		MN 3E 429	132M-4	100000	106000	364
5.9	11040	3	237	19.8		MN 3E 429	132M-4	100000	106000	364
5.47	11650	1.7	256	9.5		MN 4E 355	132M-4	71000	80000	255
5	13050	1.25	280	13.2		MN 3E 355	132M-4	71000	80000	248
6.13	10630	1.7	228	13.2		MN 3E 355	132M-4	71000	80000	248
7.87	8280	2.24	178	13.2		MN 3E 355	132M-4	71000	80000	248
9.51	6860	2.65	147	13.2		MN 3E 355	132M-4	71000	80000	248
11.4	5710	3.35	123	13.2		MN 3E 355	132M-4	71000	80000	248
13.2	4950	3.75	106	13.2		MN 3E 355	132M-4	71000	80000	248
7.12	9160	1.6	197	11.8		MN 3E 354	132M-4	71000	80000	232
8.6	7580	1.9	163	11.8		MN 3E 354	132M-4	71000	80000	232
10.8	6050	2.36	130	11.8		MN 3E 354	132M-4	71000	80000	232
12.5	5210	2.65	112	11.8		MN 3E 354	132M-4	71000	80000	232
13.8	4710	2.5	101	11.2		MN 3E 353	132M-4	60000	67000	215
9.51	6860	1.7	147	11.2		MN 3E 353	132M-4	60000	67000	215
11	5900	2	127	11.2		MN 3E 353	132M-4	60000	67000	215



技术参数

TECHNICAL DATA

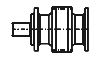


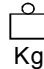
$P_1 = 7.5\text{kW}$ $n_1 = 1400\text{rpm}$										
n_2 rpm	M_2 Nm	f_s	i	P_t KW				Fr_{2MAX} [N]		 Kg
								C	S	
16.1	4060	2.8	87.2	11.2	MN 3E 353		132M-4	60000	67000	213
20.1	3240	3.55	69.6	11.2	MN 3E 353		132M-4	60000	67000	213
23.7	2750	4	59.1	11.2	MN 3E 353		132M-4	60000	67000	213
27.9	2330	4	50.1	11.2	MN 3E 353		132M-4	60000	67000	213
31	2170	3.15	45.2	15	MN 2E 353		132M-4	60000	67000	205
15.2	4300	1.8	92.4	9.5	MN 3E 280		132M-4	47500	53000	161
19	3430	2.24	73.7	9.5	MN 3E 280		132M-4	47500	53000	161
22.4	2910	2.5	62.6	9.5	MN 3E 280		132M-4	47500	53000	161
26.4	2470	2.5	53.1	9.5	MN 3E 280		132M-4	47500	53000	161
29.6	2200	2.5	47.3	9.5	MN 3E 280		132M-4	47500	53000	161
32.2	2090	2.24	43.5	11.8	MN 2E 280		132M-4	47500	53000	154
38.6	1740	2.8	36.3	11.8	MN 2E 280		132M-4	47500	53000	154
46.7	1440	4	30	11.8	MN 2E 280		132M-4	47500	53000	154
19.9	3270	1.5	70.2	7.5	MN 3E 241		132M-4	30000	35500	132
23.5	2770	1.7	59.6	7.5	MN 3E 241		132M-4	30000	35500	132
27.7	2350	1.9	50.5	7.5	MN 3E 241		132M-4	30000	35500	132
27.3	2460	1.25	51.2	9.5	MN 2E 241		132M-4	30000	35500	124
32.2	2090	1.4	43.5	9.5	MN 2E 241		132M-4	30000	35500	124
37.4	1800	1.9	37.5	9.5	MN 2E 241		132M-4	30000	35500	124
45.2	1490	2.36	31	9.5	MN 2E 241		132M-4	30000	35500	124
56.6	1190	2.8	24.8	9.5	MN 2E 241		132M-4	30000	35500	124
65.7	1020	3.55	21.3	9.5	MN 2E 241		132M-4	30000	35500	124
82.3	820	4	17	9.5	MN 2E 241		132M-4	30000	35500	124
97	690	4	14.4	9.5	MN 2E 241		132M-4	30000	35500	124
114	590	4	12.3	9.5	MN 2E 241		132M-4	30000	35500	124
19.9	3270	0.9	70.2	7.1	MN 3E 240		132M-4	30000	35500	124
23.5	2770	1.06	59.6	7.1	MN 3E 240		132M-4	30000	35500	124
27.7	2350	1.06	50.5	7.1	MN 3E 240		132M-4	30000	35500	124
37.4	1800	1.06	37.5	9	MN 2E 240		132M-4	30000	35500	116
45.2	1490	1.4	31	9	MN 2E 240		132M-4	30000	35500	116
56.6	1190	1.8	24.8	9	MN 2E 240		132M-4	30000	35500	116
65.7	1020	2	21.3	9	MN 2E 240		132M-4	30000	35500	116
82.3	820	2.36	17	9	MN 2E 240		132M-4	30000	35500	116
97	690	2.5	14.4	9	MN 2E 240		132M-4	30000	35500	116
114	590	2.5	12.3	9	MN 2E 240		132M-4	30000	35500	116
46.8	1440	1.06	29.9	7.1	MN 2E 201		132M-4	19000	22400	100
56.6	1190	1.32	24.8	7.1	MN 2E 201		132M-4	19000	22400	100
65.7	1020	1.5	21.3	7.1	MN 2E 201		132M-4	19000	22400	100
82.3	820	1.7	17	7.1	MN 2E 201		132M-4	19000	22400	100
97	690	1.9	14.4	7.1	MN 2E 201		132M-4	19000	22400	100
114	590	1.9	12.3	7.1	MN 2E 201		132M-4	19000	22400	100
65.7	1020	0.9	21.3	6.7	MN 2E 200		132M-4	15000	18000	97
82.3	820	1.06	17	6.7	MN 2E 200		132M-4	15000	18000	97
97	690	1.18	14.4	6.7	MN 2E 200		132M-4	15000	18000	97
114	590	1.06	12.3	6.7	MN 2E 200		132M-4	15000	18000	97



技术参数

TECHNICAL DATA

 $P_1 = 7.5 \text{ kW}$ $n_1 = 1400 \text{ rpm}$

n_2 rpm	M_2 Nm	f_s	i	P_t KW				Fr_{2MAX} [N]		 Kg
								C	S	
112	579	1.88	12.5	22.8	MN 1E 353		132M-4	60000	67000	205
125	519	2.4	11.2	22.8	MN 1E 353		132M-4	60000	67000	205
140	463	3.64	10	22.8	MN 1E 353		132M-4	60000	67000	205
156	417	5.08	9	22.8	MN 1E 353		132M-4	60000	67000	205
112	579	1.14	12.5	16.4	MN 1E 280		132M-4	47500	53000	154
125	519	1.84	11.2	16.4	MN 1E 280		132M-4	47500	53000	154
140	463	2.56	10	16.4	MN 1E 280		132M-4	47500	53000	154
156	417	3.00	9	16.4	MN 1E 280		132M-4	47500	53000	154
175	371	4.24	8	16.4	MN 1E 280		132M-4	47500	53000	154
112	579	0.9	12.5	13.5	MN 1E 240		132M-4	30000	35500	110
125	519	1.18	11.2	13.5	MN 1E 240		132M-4	30000	35500	110
140	463	1.76	10	13.5	MN 1E 240		132M-4	30000	35500	110
156	417	2.08	9	13.5	MN 1E 240		132M-4	30000	35500	110
175	371	2.72	8	13.5	MN 1E 240		132M-4	30000	35500	110
197	329	3.68	7.1	13.5	MN 1E 240		132M-4	30000	35500	110
222	292	5.44	6.3	13.5	MN 1E 240		132M-4	30000	35500	110
140	463	0.86	10	8.7	MN 1E 200		132M-4	15000	18000	88
156	417	1.16	9	8.7	MN 1E 200		132M-4	15000	18000	88
175	370	1.48	8	8.7	MN 1E 200		132M-4	15000	18000	88
197	329	2.2	7.1	8.7	MN 1E 200		132M-4	15000	18000	88
222	292	2.8	6.3	8.7	MN 1E 200		132M-4	15000	18000	88
250	259	3.48	5.6	8.7	MN 1E 200		132M-4	15000	18000	88
280	232	5.2	5	8.7	MN 1E 200		132M-4	15000	18000	88

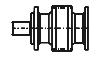


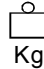
 $P_1 = 11 \text{ kW}$ $n_1 = 1400 \text{ rpm}$

0.935	99960	1.6	1497	26.5	MN 4E 696		160M-4	250000	265000	1346
1.2	77890	2	1166	26.5	MN 4E 696		160M-4	250000	265000	1346
1.47	63470	2.5	950	26.5	MN 4E 696		160M-4	250000	265000	1346
1.2	77890	1.7	1166	25.8	MN 4E 695		160M-4	250000	265000	1258
1.47	63470	2.24	950	25.8	MN 4E 695		160M-4	250000	265000	1258
1.73	54070	2.8	810	25.8	MN 4E 695		160M-4	250000	265000	1258
27	45180	2.65	677	21.2	MN 4E 543		160M-4	180000	190000	800
2.79	33530	2.8	502	19.5	MN 4E 542		160M-4	150000	160000	666
3.22	29060	2.8	435	19.5	MN 4E 542		160M-4	150000	160000	666
3.15	29650	2.12	444	15.5	MN 4E 446		160M-4	125000	132000	451
3.66	25530	2.5	382	15.5	MN 4E 446		160M-4	125000	132000	451
4.91	19470	2	285	21.8	MN 3E 446		160M-4	125000	132000	474
4.82	19400	2.65	291	14.5	MN 4E 445		160M-4	112000	118000	462
4.99	19170	1.8	281	20.6	MN 3E 445		160M-4	112000	118000	462
5.79	16140	2.5	242	13.2	MN 4E 429		160M-4	100000	106000	412



技术参数

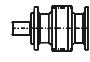


TECHNICAL DATA

$P_1 = 11 \text{ kW}$ $n_1 = 1400 \text{ rpm}$											
n_2 rpm	M_2 Nm	f_s	i	P_t KW				F_{r2MAX} [N]		 Kg	
								C	S		
7.43	12870	3	189	20.6			MN 3E 445	160M-4	112000	118000	462
6.83	13690	2.65	205	13.2			MN 4E 429	160M-4	100000	106000	412
5.9	16190	2	237	19.8			MN 3E 429	160M-4	100000	106000	401
7.1	13640	2.36	200	19.8			MN 3E 429	160M-4	100000	106000	401
8.47	11290	2.8	165	19.8			MN 3E 429	160M-4	100000	106000	401
6.13	15590	1.6	228	16.8			MN 3E 428	160M-4	90000	97500	349
7.41	12910	1.8	189	16.8			MN 3E 428	160M-4	90000	97500	349
8.89	10750	2.24	158	16.8			MN 3E 428	160M-4	90000	97500	349
11.4	8380	2.8	123	16.8			MN 3E 428	160M-4	90000	97500	349
13.2	7220	3.15	106	16.8			MN 3E 428	160M-4	90000	97500	349
15.3	6250	3	91.6	13.2			MN 3E 355	160M-4	71000	80000	285
7.87	12150	1.6	178	13.2			MN 3E 355	160M-4	71000	80000	285
9.51	10060	1.8	147	13.2			MN 3E 355	160M-4	71000	80000	285
11.4	8380	2.24	123	13.2			MN 3E 355	160M-4	71000	80000	285
13.2	7260	2.5	106	13.2			MN 3E 355	160M-4	71000	80000	285
10.8	8870	1.6	130	11.8			MN 3E 354	160M-4	71000	80000	269
12.5	7640	1.8	112	11.8			MN 3E 354	160M-4	71000	80000	269
15.7	6100	2.24	89.3	11.8			MN 3E 354	160M-4	71000	80000	269
20.1	4750	2.8	69.6	11.8			MN 3E 354	160M-4	71000	80000	269
23.7	4030	3	59.1	11.8			MN 3E 354	160M-4	71000	80000	269
27.9	3420	3	50.1	11.8			MN 3E 354	160M-4	71000	80000	269
31	3190	3	45.2	16			MN 2E 354	160M-4	71000	80000	259
13.8	6910	1.7	101	11.2	MN 3E 353			160M-4	60000	67000	253
16.1	5950	1.9	87.2	11.2	MN 3E 353			160M-4	60000	67000	253
20.1	4750	2.36	69.6	11.2	MN 3E 353			160M-4	60000	67000	253
23.7	4030	2.65	59.1	11.2	MN 3E 353			160M-4	60000	67000	253
27.9	3420	2.65	50.1	11.2	MN 3E 353			160M-4	60000	67000	253
33.3	2870	2.65	42	11.2	MN 3E 353			160M-4	60000	67000	253
31	3190	2.12	45.2	15	MN 2E 353			160M-4	60000	67000	253
36.8	2680	2.8	38.1	15	MN 2E 353			160M-4	60000	67000	253
32.2	3070	1.6	43.5	11.8	MN 2E 280			160M-4	47500	53000	215
38.6	2560	1.9	36.3	11.8	MN 2E 280			160M-4	47500	53000	215
46.7	2120	2.8	30	11.8	MN 2E 280			160M-4	47500	53000	215
53.8	1830	2.8	26	11.8	MN 2E 280			160M-4	47500	53000	215
62.5	1580	3.75	22.4	11.8	MN 2E 280			160M-4	47500	53000	215
78.3	1260	4	17.9	11.8	MN 2E 280			160M-4	47500	53000	215
92.3	1070	4	15.2	11.8	MN 2E 280			160M-4	47500	53000	215
104	950	4	13.5	11.8	MN 2E 280			160M-4	47500	53000	215
32.2	3070	0.95	43.5	9.5	MN 2E 241			160M-4	30000	35500	153
37.4	2640	1.25	37.5	9.5	MN 2E 241			160M-4	30000	35500	153
45.2	2190	1.6	31	9.5	MN 2E 241			160M-4	30000	35500	153
56.6	1750	1.9	24.8	9.5	MN 2E 241			160M-4	30000	35500	153
65.7	1500	2.5	21.3	9.5	MN 2E 241			160M-4	30000	35500	153
82.3	1200	2.8	17	9.5	MN 2E 241			160M-4	30000	35500	153
97	1020	2.65	14.4	9.5	MN 2E 241			160M-4	30000	35500	153
114	860	2.65	12.3	9.5	MN 2E 241			160M-4	30000	35500	153



技术参数

TECHNICAL DATA

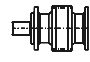


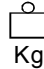
P₁ = 11 kW n₁ = 1400 rpm										
n ₂ rpm	M ₂ Nm	f _s	i	P _t KW				Fr _{2MAX} [N]		Kg
								C	S	
112	849	1.28	12.5	22.8	MN 1E 353		160M-4	60000	67000	222
125	761	1.64	11.2	22.8	MN 1E 353		160M-4	60000	67000	222
140	679	2.48	10	22.8	MN 1E 353		160M-4	60000	67000	222
156	611	3.46	9	22.8	MN 1E 353		160M-4	60000	67000	222
175	543	4.45	8	22.8	MN 1E 353		160M-4	60000	67000	222
125	761	1.25	11.2	16.4	MN 1E 280		160M-4	47500	53000	171
140	679	1.75	10	16.4	MN 1E 280		160M-4	47500	53000	171
156	611	2.05	9	16.4	MN 1E 280		160M-4	47500	53000	171
175	543	2.89	8	16.4	MN 1E 280		160M-4	47500	53000	171
197	482	4.09	7.1	16.4	MN 1E 280		160M-4	47500	53000	171
222	428	5.59	6.3	16.4	MN 1E 280		160M-4	47500	53000	171
140	679	0.88	10	13.5	MN 1E 240		160M-4	30000	35500	127
156	611	1.04	9	13.5	MN 1E 240		160M-4	30000	35500	127
175	543	1.36	8	13.5	MN 1E 240		160M-4	30000	35500	127
197	482	1.84	7.1	13.5	MN 1E 240		160M-4	30000	35500	127
222	428	2.72	6.3	13.5	MN 1E 240		160M-4	30000	35500	127
250	380	3.5	5.6	13.5	MN 1E 240		160M-4	30000	35500	127
280	340	5.2	5	13.5	MN 1E 240		160M-4	30000	35500	127

P₁ = 15 kW n₁ = 1400 rpm										
1.2	106200	1.5	1166	26.5		MN 4E 696	160L-4	250000	265000	1346
1.73	73730	2.5	810	26.5		MN 4E 696	160L-4	250000	265000	1346
1.47	86550	1.8	950	26.5		MN 4E 696	160L-4	250000	265000	1346
1.47	86550	1.6	950	25.8		MN 4E 695	160L-4	250000	265000	1258
1.73	73730	2.12	810	25.8		MN 4E 695	160L-4	250000	265000	1258
2.19	58130	2.5	638	25.8		MN 4E 695	160L-4	250000	265000	1258
2.6	48980	3	538	25.8		MN 4E 695	160L-4	250000	265000	1258
3.41	37410	3	411	21.2		MN 4E 543	160L-4	180000	190000	800
3.74	34120	2.5	375	19.5		MN 4E 542	160L-4	150000	160000	666
4.68	27240	3.15	299	19.5		MN 4E 542	160L-4	150000	160000	666
4.9	26620	2.12	286	28.8		MN 3E 542	160L-4	150000	160000	690
4.59	27790	2.24	305	15.5		MN 4E 446	160L-4	125000	132000	488
5.41	23580	2.5	259	15.5		MN 4E 446	160L-4	125000	132000	488
6.07	20990	2.5	231	15.5		MN 4E 446	160L-4	125000	132000	488
4.91	26550	1.5	285	21.8		MN 3E 446	160L-4	125000	132000	474
4.82	26460	2	291	14.5		MN 4E 445	160L-4	112000	118000	472
5.68	22450	2.24	247	14.5		MN 4E 445	160L-4	112000	118000	472
6.69	19050	2.24	209	14.5		MN 4E 445	160L-4	112000	118000	472
4.99	26140	1.32	281	20.6		MN 3E 445	160L-4	112000	118000	462
5.85	22270	1.8	239	20.6		MN 3E 445	160L-4	112000	118000	462
4.92	25930	1.6	285	13.2		MN 4E 429	160L-4	100000	106000	412



技术参数

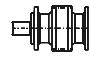


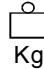
TECHNICAL DATA

P₁ = 15kW n₁ = 1400rpm										
n ₂ rpm	M ₂ Nm	f _s	i	P _t KW				Fr _{2MAX} [N]		 Kg
								C	S	
7.13	18280	3.55	196	28		MN 3E 542	160L-4	150000	180000	690
5.76	22620	2.12	243	21.8		MN 3E 446	160L-4	125000	132000	474
7.31	17830	2.65	192	21.8		MN 3E 446	160L-4	125000	132000	474
8.97	14530	3.15	156	21.8		MN 3E 446	160L-4	125000	132000	474
7.43	17560	2.24	189	20.6		MN 3E 445	160L-4	112000	118000	462
8.97	14530	2.65	156	20.6		MN 3E 445	160L-4	112000	118000	462
7.01	18610	1.8	200	19		MN 3E 429	160L-4	100000	106000	462
8.47	15400	2.12	165	19		MN 3E 429	160L-4	100000	106000	462
10.9	12000	2.8	129	19		MN 3E 429	160L-4	100000	106000	462
13.9	9350	3.35	100	19		MN 3E 429	160L-4	100000	106000	462
16.2	8050	4.25	86.5	19		MN 3E 429	160L-4	100000	106000	462
7.41	17600	1.32	189	16		MN 3E 428	160L-4	90000	97500	349
8.89	14670	1.6	158	16		MN 3E 428	160L-4	90000	97500	349
11.4	11430	2.12	123	16		MN 3E 428	160L-4	90000	97500	349
13.2	9840	2.36	106	16		MN 3E 428	160L-4	90000	97500	349
15.3	8530	2.65	91.6	16		MN 3E 428	160L-4	90000	97500	349
19.1	6810	3.35	73.1	16		MN 3E 428	160L-4	90000	97500	349
22.6	5780	3.15	62	16		MN 3E 428	160L-4	90000	97500	349
25.3	5140	3	55.2	16		MN 3E 428	160L-4	90000	97500	349
30.5	4410	3.35	45.9	21.2		MN 2E 428	160L-4	90000	97500	336
11.4	11430	1.6	123	13.2		MN 3E 355	160L-4	71000	80000	285
13.2	9900	1.9	106	13.2		MN 3E 355	160L-4	71000	80000	285
15.3	8530	2.12	91.6	13.2		MN 3E 355	160L-4	71000	80000	285
19.1	6810	2.65	73.1	13.2		MN 3E 355	160L-4	71000	80000	285
22.6	5780	2.5	62	13.2		MN 3E 355	160L-4	71000	80000	285
25.3	5140	2.5	55.2	13.2		MN 3E 355	160L-4	71000	80000	285
30.5	4410	2.65	45.9	13.2		MN 2E 355	160L-4	71000	80000	285
15.7	8320	1.6	89.3	11.8		MN 3E 354	160L-4	71000	80000	269
20.1	6480	2.12	69.6	11.8		MN 3E 354	160L-4	71000	80000	269
23.7	5500	2.24	59.1	11.8		MN 3E 354	160L-4	71000	80000	269
27.9	4670	2.24	50.1	11.8		MN 3E 354	160L-4	71000	80000	269
31	4340	2.24	45.2	16		MN 2E 354	160L-4	71000	80000	259
37.4	3600	2.8	37.4	16		MN 2E 354	160L-4	71000	80000	259
20.1	6480	1.7	69.6	11.2	MN 3E 353		160L-4	60000	67000	253
23.7	5500	2	59.1	11.2	MN 3E 353		160L-4	60000	67000	253
27.9	4670	2	50.1	11.2	MN 3E 353		160L-4	60000	67000	253
33.3	3910	2	42	11.2	MN 3E 353		160L-4	60000	67000	253
31	4340	1.6	45.2	15	MN 2E 353		160L-4	60000	67000	242
36.8	3660	2.12	38.1	15	MN 2E 353		160L-4	60000	67000	242
32.2	4180	1.12	43.5	11.8	MN 2E 280		160L-4	47500	53000	191
38.6	3490	1.4	36.3	11.8	MN 2E 280		160L-4	47500	53000	191
46.7	2890	2	30	11.8	MN 2E 280		160L-4	47500	53000	191



技术参数

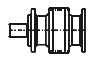
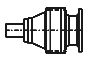

TECHNICAL DATA

P₁ = 15kW n₁ = 1400rpm										
n ₂ rpm	M ₂ Nm	f _s	i	Pt KW				Fr _{2MAX} [N]		 Kg
								C	S	
44.4	3030	2.8	31.5	15	MN 2E 353		160L-4	60000	67000	242
57	2360	3.35	24.5	15	MN 2E 353		160L-4	60000	67000	242
66.2	2030	4.25	21.1	15	MN 2E 353		160L-4	60000	67000	242
112	1158	0.94	12.5	22.8	MN 1E 353		160L-4	60000	67000	287
125	1038	1.2	11.2	22.8	MN 1E 353		160L-4	60000	67000	287
140	926	1.82	10	22.8	MN 1E 353		160L-4	60000	67000	287
156	834	2.54	9	22.8	MN 1E 353		160L-4	60000	67000	287
175	741	3.26	8	22.8	MN 1E 353		160L-4	60000	67000	287
197	658	5	7.1	22.8	MN 1E 353		160L-4	60000	67000	287
53.8	2500	2.12	26	11.8	MN 2E 280		160L-4	47500	53000	191
62.5	2150	2.65	22.4	11.8	MN 2E 280		160L-4	47500	53000	191
78.3	1720	3	17.9	11.8	MN 2E 280		160L-4	47500	53000	191
92.3	1460	3	15.2	11.8	MN 2E 280		160L-4	47500	53000	191
104	1300	3	13.5	11.8	MN 2E 280		160L-4	47500	53000	191
125	1038	0.92	11.2	16.4	MN 1E 280		160L-4	47500	53000	236
140	926	1.28	10	16.4	MN 1E 280		160L-4	47500	53000	236
156	834	1.50	9	16.4	MN 1E 280		160L-4	47500	53000	236
175	741	2.12	8	16.4	MN 1E 280		160L-4	47500	53000	236
197	658	3.00	7.1	16.4	MN 1E 280		160L-4	47500	53000	236
222	584	4.10	6.3	16.4	MN 1E 280		160L-4	47500	53000	236
250	519	5.10	5.6	16.4	MN 1E 280		160L-4	47500	53000	236
37.4	3600	0.95	37.5	9.5	MN 2E 241		160L-4	30000	35500	162
45.2	2980	1.18	31	9.5	MN 2E 241		160L-4	30000	35500	162
56.6	2380	1.4	24.8	9.5	MN 2E 241		160L-4	30000	35500	162
65.7	2050	1.8	21.3	9.5	MN 2E 241		160L-4	30000	35500	162
82.3	1640	2	17	9.5	MN 2E 241		160L-4	30000	35500	162
97	1390	2	14.4	9.5	MN 2E 241		160L-4	30000	35500	162
114	1180	2	12.3	9.5	MN 2E 241		160L-4	30000	35500	162
56.6	2380	0.9	24.8	9	MN 2E 240		160L-4	30000	35500	153
65.7	2050	1	21.3	9	MN 2E 240		160L-4	30000	35500	153
82.3	1640	1.18	17	9	MN 2E 240		160L-4	30000	35500	153
97	1390	1.25	14.4	9	MN 2E 240		160L-4	30000	35500	153
114	1180	1.25	12.3	9	MN 2E 240		160L-4	30000	35500	153
140	926	0.88	10	13.5	MN 1E 240		160L-4	30000	35500	190
156	834	1.04	9	13.5	MN 1E 240		160L-4	30000	35500	190
175	741	1.36	8	13.5	MN 1E 240		160L-4	30000	35500	190
197	658	1.84	7.1	13.5	MN 1E 240		160L-4	30000	35500	190
222	584	2.72	6.3	13.5	MN 1E 240		160L-4	30000	35500	190
250	519	3.5	5.6	13.5	MN 1E 240		160L-4	30000	35500	190
280	463	5.2	5	13.5	MN 1E 240		160L-4	30000	35500	190



技术参数

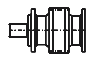
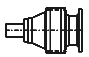

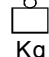
TECHNICAL DATA

P₁ = 18.5kW n₁ = 1400rpm										
n ₂ rpm	M ₂ Nm	f _s	i	P _t KW				Fr ₂ MAX [N]		Kg
								C	S	
1.47	106700	1.5	950	26.5		MN 4E 696	180M-4	250000	265000	1400
1.73	90940	2	810	26.5		MN 4E 696	180M-4	250000	265000	1400
2.19	71700	2.5	638	26.5		MN 4E 696	180M-4	250000	265000	1400
2.19	71700	2.12	638	25.8		MN 4E 695	180M-4	250000	265000	1312
2.6	60410	2.5	538	25.8		MN 4E 695	180M-4	250000	265000	1312
3.34	47070	3.15	419	25.8		MN 4E 695	180M-4	250000	265000	1312
3.41	46140	2.36	411	21.2		MN 4E 543	180M-4	180000	190000	854
3.96	39730	2.8	354	21.2		MN 4E 543	180M-4	180000	190000	854
4.68	33600	2.5	299	19.5		MN 4E 542	180M-4	150000	160000	757
5.52	28510	2.65	254	19.5		MN 4E 542	180M-4	150000	160000	757
6.2	25380	2.65	226	19.5		MN 4E 542	180M-4	150000	160000	757
4.9	32830	1.7	286	28.8		MN 3E 542	180M-4	150000	160000	744
5.81	27660	2	241	28.8		MN 3E 542	180M-4	150000	160000	744
7.13	22540	3	196	28.8		MN 3E 542	180M-4	150000	160000	744
9.15	17560	3.55	153	28.8		MN 3E 542	180M-4	150000	160000	744
5.41	29090	2.12	259	15.5		MN 4E 446	180M-4	125000	132000	542
6.07	25890	2	231	15.5		MN 4E 446	180M-4	125000	132000	542
4.91	32740	1.18	285	21.8		MN 3E 446	180M-4	125000	132000	528
5.76	27890	1.7	243	21.8		MN 3E 446	180M-4	125000	132000	528
7.31	21990	2.12	192	21.8		MN 3E 446	180M-4	125000	132000	528
8.97	17920	2.5	156	21.8		MN 3E 446	180M-4	125000	132000	528
6.69	23490	1.8	209	14.5		MN 4E 445	180M-4	112000	118000	504
7.43	21650	1.8	189	20.6		MN 3E 445	180M-4	112000	118000	504
8.97	17920	2.12	156	20.6		MN 3E 445	180M-4	112000	118000	504
10.6	15100	2.8	131	20.6		MN 3E 445	180M-4	112000	118000	504
10.9	14800	2.24	129	19.8		MN 3E 429	180M-4	100000	106000	455
13.9	11530	2.8	100	19.8		MN 3E 429	180M-4	100000	106000	455
16.2	9930	3.35	86.5	19.8		MN 3E 429	180M-4	100000	106000	455
20.3	7930	4	69	19.8		MN 3E 429	180M-4	100000	106000	455
23.9	6730	4	58.6	19.8		MN 3E 429	180M-4	100000	106000	455
11.4	14090	1.7	123	16.8		MN 3E 428	180M-4	90000	97500	403
13.2	12140	1.9	106	16.8		MN 3E 428	180M-4	90000	97500	403
15.3	10520	2.12	91.6	16.8		MN 3E 428	180M-4	90000	97500	403
19.1	8400	2.65	73.1	16.8		MN 3E 428	180M-4	90000	97500	403
22.6	7130	2.5	62	16.8		MN 3E 428	180M-4	90000	97500	403
13.2	12210	1.5	106	13.2		MN 3E 355	180M-4	71000	80000	339
15.3	10520	1.7	91.6	13.2		MN 3E 355	180M-4	71000	80000	339
19.1	8400	2.12	73.1	13.2		MN 3E 355	180M-4	71000	80000	339
22.6	7130	2	62	13.2		MN 3E 355	180M-4	71000	80000	339
25.3	6340	2	55.2	13.2		MN 3E 355	180M-4	71000	80000	339
20.1	7990	1.7	69.6	11.8		MN 3E 354	180M-4	71000	80000	301
23.7	6780	1.8	59.1	11.8		MN 3E 354	180M-4	71000	80000	301
27.9	5750	1.8	50.1	11.8		MN 3E 354	180M-4	71000	80000	301



技术参数

TECHNICAL DATA

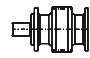
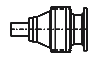

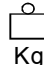
$P_1 = 18.5kW$ $n_1 = 1400rpm$											
n_2 rpm	M_2 Nm	f_s	i	P_t KW				Fr_{2MAX} [N]		 Kg	
								C	S		
28.5	5640	4	49.1	19.8			MN 3E 429	180M-4	100000	106000	455
34	4720	4	41.1	19.8			MN 3E 429	180M-4	100000	106000	455
25.3	6340	2.36	55.2	19.8			MN 3E 428	180M-4	90000	97500	403
30.5	5440	2.8	45.9	21.2			MN 2E 428	180M-4	90000	97500	390
30.5	5440	2.12	45.9	18			MN 2E 355	180M-4	71000	80000	325
36.2	4590	3	38.7	18			MN 2E 355	180M-4	71000	80000	325
31	5360	1.8	45.2	16			MN 2E 354	180M-4	71000	80000	313
37.4	4430	2.24	37.4	16			MN 2E 354	180M-4	71000	80000	313
44.4	3740	2.8	31.5	16			MN 2E 354	180M-4	71000	80000	313
31	5360	1.25	45.2	15	MN 2E 353			180M-4	60000	67000	296
36.8	4520	1.7	38.1	15	MN 2E 353			180M-4	60000	67000	296
44.4	3740	2.24	31.5	15	MN 2E 353			180M-4	60000	67000	296
57	2910	2.8	24.5	15	MN 2E 353			180M-4	60000	67000	296
66.2	2510	3.55	21.1	15	MN 2E 353			180M-4	60000	67000	296
83	2000	3.75	16.9	15	MN 2E 353			180M-4	60000	67000	296
97.8	1700	4	14.3	15	MN 2E 353			180M-4	60000	67000	296
117	1420	4	12	15	MN 2E 353			180M-4	60000	67000	296
38.6	4300	1.12	36.3	11.8	MN 2E 280			180M-4	47500	53000	245
46.7	3560	1.6	30	11.8	MN 2E 280			180M-4	47500	53000	245
53.8	3080	1.7	26	11.8	MN 2E 280			180M-4	47500	53000	245
62.5	2660	2.12	22.4	11.8	MN 2E 280			180M-4	47500	53000	245
78.3	2120	2.36	17.9	11.8	MN 2E 280			180M-4	47500	53000	245
92.3	1800	2.36	15.2	11.8	MN 2E 280			180M-4	47500	53000	245
104	1600	2.36	13.5	11.8	MN 2E 280			180M-4	47500	53000	245
45.2	3680	0.95	31	9.5	MN 2E 241			180M-4	30000	35500	194
56.6	2940	1.12	24.8	9.5	MN 2E 241			180M-4	30000	35500	194
65.7	2530	1.5	21.3	9.5	MN 2E 241			180M-4	30000	35500	194
82.3	2020	1.6	17	9.5	MN 2E 241			180M-4	30000	35500	194
97	1710	1.6	14.4	9.5	MN 2E 241			180M-4	30000	35500	194
114	1450	1.6	12.3	9.5	MN 2E 241			180M-4	30000	35500	194
125	1280	0.97	11.2	22.8	MN 1E 353			180M-4	60000	67000	314
140	1143	1.48	10	22.8	MN 1E 353			180M-4	60000	67000	314
156	1028	2.06	9	22.8	MN 1E 353			180M-4	60000	67000	314
175	914	2.64	8	22.8	MN 1E 353			180M-4	60000	67000	314
197	811	4.05	7.1	22.8	MN 1E 353			180M-4	60000	67000	314
222	720	5.68	6.3	22.8	MN 1E 353			180M-4	60000	67000	314
140	1143	1.04	10	16.4	MN 1E 280			180M-4	47500	53000	263
156	1028	1.22	9	16.4	MN 1E 280			180M-4	47500	53000	263
175	914	1.72	8	16.4	MN 1E 280			180M-4	47500	53000	263
197	811	2.43	7.1	16.4	MN 1E 280			180M-4	47500	53000	263
222	720	3.32	6.3	16.4	MN 1E 280			180M-4	47500	53000	263
250	640	4.14	5.6	16.4	MN 1E 280			180M-4	47500	53000	263



技术参数

TECHNICAL DATA

$P_1 = 18.5\text{kW}$ $n_1 = 1400\text{rpm}$

n ₂ rpm	M ₂ Nm	f _s	i	P _t KW				Fr _{2MAX} [N]		 Kg
								C	S	
156	1028	0.84	9	13.5	MN 1E 240		180M-4	30000	35500	219
175	914	1.10	8	13.5	MN 1E 240		180M-4	30000	35500	219
197	811	1.49	7.1	13.5	MN 1E 240		180M-4	30000	35500	219
222	720	2.21	6.3	13.5	MN 1E 240		180M-4	30000	35500	219
250	640	2.84	5.6	13.5	MN 1E 240		180M-4	30000	35500	219
280	571	4.22	5	13.5	MN 1E 240		180M-4	30000	35500	219
311	514	4.86	4.5	13.5	MN 1E 240		180M-4	30000	35500	219
350	457	5.68	4	13.5	MN 1E 240		180M-4	30000	35500	219

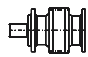
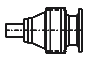

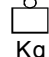
$P_1 = 22\text{kW}$ $n_1 = 1400\text{rpm}$

1.73	108100	1.7	810	26.5		MN 4E 696	180L-4	250000	265000	1400
2.19	85260	2.12	638	26.5		MN 4E 696	180L-4	250000	265000	1400
2.6	71840	2.65	538	26.5		MN 4E 696	180L-4	250000	265000	1400
2.19	85260	1.7	638	25.8		MN 4E 695	180L-4	250000	265000	1312
2.6	71840	2.12	538	25.8		MN 4E 695	180L-4	250000	265000	1312
3.34	55980	2.65	419	25.8		MN 4E 695	180L-4	250000	265000	1312
4.01	46650	3	349	25.8		MN 4E 695	180L-4	250000	265000	1312
4.96	37720	2.8	282	21.2		MN 4E 543	180L-4	180000	190000	854
5.84	32000	3.15	240	21.2		MN 4E 543	180L-4	180000	190000	854
5.79	33030	2	242	30.8		MN 3E 543	180L-4	180000	190000	835
6.87	27830	2.8	204	30.8		MN 3E 543	180L-4	180000	190000	835
5.52	33900	2.24	254	19.5		MN 4E 542	180L-4	150000	160000	757
6.2	30180	2.24	226	19.5		MN 4E 542	180L-4	150000	160000	757
5.81	32900	1.7	241	28.8		MN 3E 542	180L-4	150000	160000	744
7.13	26800	2.5	196	28.8		MN 3E 542	180L-4	150000	160000	744
9.15	20890	3	153	28.8		MN 3E 542	180L-4	150000	160000	744
7.31	26150	1.8	192	21.8		MN 3E 446	180L-4	125000	132000	528
8.97	21310	2.12	156	21.8		MN 3E 446	180L-4	125000	132000	528
10.6	17960	3	131	21.8		MN 3E 446	180L-4	125000	132000	528
8.97	21310	1.8	156	20.6		MN 3E 445	180L-4	112000	118000	516
10.6	17960	2.36	131	20.6		MN 3E 445	180L-4	112000	118000	516
12.4	15460	2.8	113	20.6		MN 3E 445	180L-4	112000	118000	516
10.9	17600	1.9	129	19.8		MN 3E 429	180L-4	100000	106000	455
13.9	13710	2.36	100	19.8		MN 3E 429	180L-4	100000	106000	455
16.2	11810	2.8	86.5	19.8		MN 3E 429	180L-4	100000	106000	455
20.3	9430	3.35	69	19.8		MN 3E 429	180L-4	100000	106000	455
13.2	14430	1.6	106	16.8		MN 3E 428	180L-4	90000	97500	403
15.3	12510	1.8	91.6	16.8		MN 3E 428	180L-4	90000	97500	403
19.1	9990	2.24	73.1	16.8		MN 3E 428	180L-4	90000	97500	403
22.6	8470	2.12	62	16.8		MN 3E 428	180L-4	90000	97500	403
15.3	12510	1.5	91.6	13.2		MN 3E 355	180L-4	71000	80000	339
19.1	9990	1.8	73.1	13.2		MN 3E 355	180L-4	71000	80000	339
22.6	8470	1.7	62	13.2		MN 3E 355	180L-4	71000	80000	339



技术参数

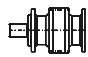
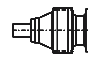

TECHNICAL DATA

P₁ = 22kW n₁ = 1400rpm											
n ₂ rpm	M ₂ Nm	f _s	i	P _t KW				Fr _{2MAX} [N]		 Kg	
								C	S		
23.9	8000	3.35	58.6	19.8			MN 3E 429	180L-4	100000	106000	455
28.5	6700	3.35	49.1	19.8			MN 3E 429	180L-4	100000	106000	455
34	5620	3.35	41.1	19.8			MN 3E 429	180L-4	100000	106000	455
25.3	7540	2	55.2	16.8			MN 3E 428	180L-4	90000	97500	403
30.5	6470	2.36	45.9	21.2			MN 2E 428	180L-4	90000	97500	390
37.4	5270	3	37.4	21.2			MN 2E 428	180L-4	90000	97500	390
25.3	7540	1.7	55.2	13.2			MN 3E 355	180L-4	71000	80000	339
30.5	6470	1.8	45.9	18			MN 2E 355	180L-4	71000	80000	325
36.2	5450	2.5	38.7	18			MN 2E 355	180L-4	71000	80000	325
44.4	4440	3.15	31.5	18			MN 2E 355	180L-4	71000	80000	325
31	6370	1.5	45.2	16			MN 2E 354	180L-4	71000	80000	313
37.4	5270	1.9	37.4	16			MN 2E 354	180L-4	71000	80000	313
44.4	4440	2.36	31.5	16			MN 2E 354	180L-4	71000	80000	313
51.6	3830	3	27.1	16			MN 2E 354	180L-4	71000	80000	313
31	6370	1.06	45.2	15	MN 2E 353			180L-4	60000	67000	296
36.8	5370	1.4	38.1	15	MN 2E 353			180L-4	60000	67000	296
44.4	4440	1.9	31.5	15	MN 2E 353			180L-4	60000	67000	296
57	3460	2.36	24.5	15	MN 2E 353			180L-4	60000	67000	296
66.2	2980	3	21.1	15	MN 2E 353			180L-4	60000	67000	296
83	2380	3.15	16.9	15	MN 2E 353			180L-4	60000	67000	296
97.8	2020	3.35	14.3	15	MN 2E 353			180L-4	60000	67000	296
117	1690	3.35	12	15	MN 2E 353			180L-4	60000	67000	296
125	1522	0.82	11.2	22.8	MN 1E 353			180L-4	60000	67000	325
140	1359	1.24	10	22.8	MN 1E 353			180L-4	60000	67000	325
156	1223	1.73	9	22.8	MN 1E 353			180L-4	60000	67000	325
175	1087	2.22	8	22.8	MN 1E 353			180L-4	60000	67000	325
197	965	3.41	7.1	22.8	MN 1E 353			180L-4	60000	67000	325
222	856	4.77	6.3	22.8	MN 1E 353			180L-4	60000	67000	325
38.6	5110	0.95	36.3	11.8	MN 2E 280			180L-4	47500	53000	296
46.7	4230	1.4	30	11.8	MN 2E 280			180L-4	47500	53000	296
53.8	3670	1.4	26	11.8	MN 2E 280			180L-4	47500	53000	296
62.5	3160	1.8	22.4	11.8	MN 2E 280			180L-4	47500	53000	296
78.3	2520	2	17.9	11.8	MN 2E 280			180L-4	47500	53000	296
92.3	2140	2	15.2	11.8	MN 2E 280			180L-4	47500	53000	296
104	1900	2	13.5	11.8	MN 2E 280			180L-4	47500	53000	296
140	1359	0.87	10	16.4	MN 1E 280			180L-4	47500	53000	274
156	1223	1.02	9	16.4	MN 1E 280			180L-4	47500	53000	274
175	1087	1.45	8	16.4	MN 1E 280			180L-4	47500	53000	274
197	965	2.05	7.1	16.4	MN 1E 280			180L-4	47500	53000	274
222	856	2.80	6.3	16.4	MN 1E 280			180L-4	47500	53000	274
250	761	3.48	5.6	16.4	MN 1E 280			180L-4	47500	53000	274
280	679	5.11	5	16.4	MN 1E 280			180L-4	47500	53000	274



技术参数

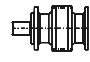


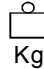
TECHNICAL DATA

P₁ = 30kW n₁ = 1400rpm											
n ₂ rpm	M ₂ Nm	f _s	i	Pt KW				Fr _{2MAX} [N]		Kg	
								C	S		
2.6	97960	1.9	538	26.5			MN 4E 696	200L-4	250000	265000	1433
3.34	76330	2.36	419	26.5			MN 4E 696	200L-4	250000	265000	1433
4.01	63610	2.8	349	26.5			MN 4E 696	200L-4	250000	265000	1433
3.34	76330	1.9	419	25			MN 4E 695	200L-4	250000	265000	1345
4.01	63610	2.24	349	25			MN 4E 695	200L-4	250000	265000	1345
4.63	55130	2.5	303	25			MN 4E 695	200L-4	250000	265000	1345
5.2	49070	2.65	269	25			MN 4E 695	200L-4	250000	265000	1345
6.2	41130	2.8	226	25			MN 4E 695	200L-4	250000	265000	1345
5.84	43640	2.24	240	21.2			MN 4E 543	200L-4	180000	190000	887
6.97	36580	2.36	201	21.2			MN 4E 543	200L-4	180000	190000	887
5.79	45050	1.5	242	30			MN 3E 543	200L-4	180000	190000	868
6.87	37960	2.12	204	30			MN 3E 543	200L-4	180000	190000	868
8.82	29580	2.8	159	30			MN 3E 543	200L-4	180000	190000	868
7.13	36550	1.8	196	28			MN 3E 542	200L-4	150000	160000	777
9.15	28480	2.12	153	28			MN 3E 542	200L-4	150000	160000	777
10.9	24000	2.8	129	28			MN 3E 542	200L-4	150000	160000	777
8.97	29060	1.5	156	21.8			MN 3E 446	200L-4	125000	132000	561
10.6	24480	2.12	131	21.8			MN 3E 446	200L-4	125000	132000	561
13.7	19080	2.8	102	21.8			MN 3E 446	200L-4	125000	132000	561
16.4	15900	3.15	85.4	21.8			MN 3E 446	200L-4	125000	132000	561
18.9	13780	3.55	74	21.8			MN 3E 446	200L-4	125000	132000	561
21.3	12260	3.15	65.9	21.8			MN 3E 446	200L-4	125000	132000	561
25.4	10280	3.15	55.2	21.8			MN 3E 446	200L-4	125000	132000	561
32.3	8080	3.15	43.4	21.8			MN 3E 446	200L-4	125000	132000	561
12.4	21080	2.12	113	20.6			MN 3E 445	200L-4	112000	118000	548
15.5	16830	2.5	90.4	20.6			MN 3E 445	200L-4	112000	118000	548
19.9	13120	2.8	70.4	20.6			MN 3E 445	200L-4	112000	118000	548
23.4	11130	2.65	59.8	20.6			MN 3E 445	200L-4	112000	118000	548
28	9330	2.65	50.1	20.6			MN 3E 445	200L-4	112000	118000	548
35.6	7330	2.65	39.4	20.6			MN 3E 445	200L-4	112000	118000	548
36.2	7450	3.35	38.7	20.6			MN 2E 445	200L-4	112000	118000	530
13.9	18700	1.7	100	19			MN 3E 429	200L-4	100000	106000	488
16.2	16100	2.12	86.5	19			MN 3E 429	200L-4	100000	106000	488
20.3	12860	2.5	69	19			MN 3E 429	200L-4	100000	106000	488
23.9	10910	2.36	58.6	19			MN 3E 429	200L-4	100000	106000	488
28.5	9140	2.36	49.1	19			MN 3E 429	200L-4	100000	106000	488
34	7660	2.36	41.1	19			MN 3E 429	200L-4	100000	106000	488
30.5	8830	1.7	45.9	21.2			MN 2E 428	200L-4	90000	97500	423
30.5	8830	1.32	45.9	18			MN 2E 355	200L-4	71000	80000	358
36.2	7440	1.8	38.7	18			MN 2E 355	200L-4	71000	80000	358
31	8690	1.12	45.2	16			MN 2E 354	200L-4	71000	80000	345
37.4	7190	1.4	37.4	16			MN 2E 354	200L-4	71000	80000	345



技术参数

TECHNICAL DATA

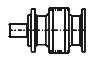
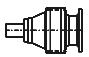

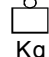
P ₁ = 30kW n ₁ =1400rpm											
n ₂ rpm	M ₂ Nm	f _s	i	Pt KW				Fr _{2MAX} [N]		 Kg	
								C	S		
36.1	7470	2.8	38.8	25			MN 2E 429	200L-4	100000	106000	469
42.8	6290	3.75	32.7	25			MN 2E 429	200L-4	100000	106000	469
37.4	7190	2.12	37.4	21.2			MN 2E 428	200L-4	90000	97500	423
44.4	6060	2.8	31.5	21.2			MN 2E 428	200L-4	90000	97500	423
44.4	6060	2.24	31.5	15			MN 2E 355	200L-4	71000	80000	358
57	4720	3	24.5	15			MN 2E 355	200L-4	71000	80000	358
68.4	3930	3.35	20.5	15			MN 2E 355	200L-4	71000	80000	358
79	3410	3.55	17.7	15			MN 2E 355	200L-4	71000	80000	358
88.7	3040	3	15.8	15			MN 2E 355	200L-4	71000	80000	358
106	2540	3	13.2	15			MN 2E 355	200L-4	71000	80000	358
44.4	6060	1.7	31.5	16			MN 2E 354	200L-4	71000	80000	345
51.6	5220	2.12	27.1	16			MN 2E 354	200L-4	71000	80000	345
64.6	4170	2.5	21.7	16			MN 2E 354	200L-4	71000	80000	345
83	3250	2.8	16.9	16			MN 2E 354	200L-4	71000	80000	345
97.8	2750	2.65	14.3	16			MN 2E 354	200L-4	71000	80000	345
117	2310	2.65	12	16			MN 2E 354	200L-4	71000	80000	345
44.4	6060	1.4	31.5	15	MN 2E 353			200L-4	60000	67000	329
57	4720	1.7	24.5	15	MN 2E 353			200L-4	60000	67000	329
66.2	4070	2.24	21.1	15	MN 2E 353			200L-4	60000	67000	329
83	3250	2.36	16.9	15	MN 2E 353			200L-4	60000	67000	329
97.8	2750	2.36	14.3	15	MN 2E 353			200L-4	60000	67000	329
117	2310	2.36	12	15	MN 2E 353			200L-4	60000	67000	329
36.8	7320	1.06	38.1	15	MN 2E 353			200L-4	60000	67000	329
140	1853	0.91	10	22.8	MN 1E 353			200L-4	60000	67000	408
156	1667	1.27	9	22.8	MN 1E 353			200L-4	60000	67000	408
175	1482	1.63	8	22.8	MN 1E 353			200L-4	60000	67000	408
197	1315	2.5	7.1	22.8	MN 1E 353			200L-4	60000	67000	408
222	1167	3.5	6.3	22.8	MN 1E 353			200L-4	60000	67000	408
250	1038	4.47	5.6	22.8	MN 1E 353			200L-4	60000	67000	408
175	1482	1.06	8	16.4	MN 1E 280			200L-4	47500	53000	408
197	1315	1.50	7.1	16.4	MN 1E 280			200L-4	47500	53000	408
222	1167	2.05	6.3	16.4	MN 1E 280			200L-4	47500	53000	408
250	1038	2.55	5.6	16.4	MN 1E 280			200L-4	47500	53000	408
280	926	3.75	5	16.4	MN 1E 280			200L-4	47500	53000	408
311	834	4.80	4.5	16.4	MN 1E 280			200L-4	47500	53000	408
350	741	5.00	4	16.4	MN 1E 280			200L-4	47500	53000	408

P ₁ = 37kW n ₁ =1400rpm											
3.34	94150	1.9	419				MN 4E 696	225S-4	250000	265000	1503
41	78450	1.8	349				MN 4E 695	225S-4	250000	265000	1415



技术参数

TECHNICAL DATA

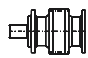
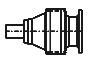

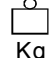
$P_1 = 37\text{kW}$ $n_1 = 1400\text{rpm}$											
n_2 rpm	M_2 Nm	f_s	i	P_t KW				F_{r2MAX} [N]		 Kg	
								C	S		
41	78450	2.24	349	26.5			MN 4E 696	225S-4	250000	265000	1503
4.63	67990	2.65	303	26.5			MN 4E 696	225S-4	250000	265000	1503
5.2	60520	2.65	269	26.5			MN 4E 696	225S-4	250000	265000	1503
6.2	50720	2.8	226	26.5			MN 4E 696	225S-4	250000	265000	1503
4.63	67990	2.12	303	25.8			MN 4E 695	225S-4	250000	265000	1415
5.2	60520	2.12	269	25.8			MN 4E 695	225S-4	250000	265000	1415
6.2	50720	2.36	226	25.8			MN 4E 695	225S-4	250000	265000	1415
6.87	46810	1.7	204	30			MN 3E 543	225S-4	180000	190000	938
8.82	36480	2.24	159	30			MN 3E 543	225S-4	180000	190000	938
10.5	30740	3	134	30			MN 3E 543	225S-4	180000	190000	938
12.4	25900	3.35	113	30			MN 3E 543	225S-4	180000	190000	938
9.15	35130	1.7	153	28			MN 3E 542	225S-4	150000	180000	847
10.9	29600	2.24	129	28			MN 3E 542	225S-4	150000	180000	847
13	24660	2.65	107	28			MN 3E 542	225S-4	150000	180000	847
16.7	19220	3.15	83.7	28			MN 3E 542	225S-4	150000	180000	847
19.3	16660	3.55	72.5	28			MN 3E 542	225S-4	150000	180000	847
21.7	14830	3.35	64.6	28			MN 3E 542	225S-4	150000	180000	847
25.9	12430	3.35	54.1	28			MN 3E 542	225S-4	150000	180000	847
30.9	10401	3.35	45.3	28			MN 3E 542	225S-4	150000	180000	847
10.6	30200	1.7	131	21.8			MN 3E 446	225S-4	125000	132000	632
13.7	23530	2.24	102	21.8			MN 3E 446	225S-4	125000	132000	632
16.4	19610	2.5	85.4	21.8			MN 3E 446	225S-4	125000	132000	632
18.9	16990	2.8	74	21.8			MN 3E 446	225S-4	125000	132000	632
21.3	15130	2.65	65.9	21.8			MN 3E 446	225S-4	125000	132000	632
25.4	12680	2.65	55.2	21.8			MN 3E 446	225S-4	125000	132000	632
32.3	9970	2.65	43.4	21.8			MN 3E 446	225S-4	125000	132000	632
36.2	9190	2.8	38.7	29			MN 2E 445	225S-4	112000	118000	600
42.4	7830	3.75	33	29			MN 2E 445	225S-4	112000	118000	600
36.1	9210	2.24	38.8	25			MN 2E 429	225S-4	100000	106000	540
42.8	7760	3.15	32.7	25			MN 2E 429	225S-4	100000	106000	540
30.5	10890	1.4	45.9	21.2			MN 2E 428	225S-4	90000	97500	493
37.4	8870	1.7	37.4	21.2			MN 2E 428	225S-4	90000	97500	493
44.4	7470	2.24	31.5	21.2			MN 2E 428	225S-4	90000	97500	493
53.3	6230	3	26.3	21.2			MN 2E 428	225S-4	90000	97500	493
68.4	4850	3.15	20.5	21.2			MN 2E 428	225S-4	90000	97500	493
79	4210	3.35	17.7	21.2			MN 2E 428	225S-4	90000	97500	493
88.7	3740	2.8	15.8	21.2			MN 2E 428	225S-4	90000	97500	493
106	3140	2.8	13.2	21.2			MN 2E 428	225S-4	90000	97500	493
30.5	10890	1.06	45.9	18			MN 2E 355	225S-4	71000	80000	429
36.2	9170	1.5	38.7	18			MN 2E 355	225S-4	71000	80000	429
44.4	7470	1.8	31.5	18			MN 2E 355	225S-4	71000	80000	429
57	5820	2.36	24.5	18			MN 2E 355	225S-4	71000	80000	429
68.4	4850	2.65	20.5	18			MN 2E 355	225S-4	71000	80000	429
79	4210	2.8	17.7	18			MN 2E 355	225S-4	71000	80000	429
88.7	3740	2.36	15.8	18			MN 2E 355	225S-4	71000	80000	429



技术参数

TECHNICAL DATA

 $P_1 = 37\text{kW}$ $n_1 = 1400\text{rpm}$

n_2 rpm	M_2 Nm	f_s	i	P_t KW				Fr_{2MAX} [N]		 Kg
								C	S	
106	3140	2.36	13.2			MN 2E 355	225S-4	71000	80000	429
156	2057	1.03	9	22.8	MN 1E 353		225S-4	60000	67000	546
175	1828	1.32	8	22.8	MN 1E 353		225S-4	60000	67000	546
197	1622	2.03	7.1	22.8	MN 1E 353		225S-4	60000	67000	546
222	1440	2.84	6.3	22.8	MN 1E 353		225S-4	60000	67000	546
250	1280	3.62	5.6	22.8	MN 1E 353		225S-4	60000	67000	546
280	1143	5.35	5	22.8	MN 1E 353		225S-4	60000	67000	546

 $P_1 = 45\text{kW}$ $n_1 = 1400\text{rpm}$

5.79	67570	0.95	242	30		MN 3E 543	225M-4	180000	190000	938
6.87	56930	1.4	204	30		MN 3E 543	225M-4	180000	190000	938
8.82	44360	1.9	159	30		MN 3E 543	225M-4	180000	190000	938
10.5	37380	2.5	134	30		MN 3E 543	225M-4	180000	190000	938
12.4	31500	2.8	113	30		MN 3E 543	225M-4	180000	190000	938
15.9	24540	3.35	87.9	30		MN 3E 543	225M-4	180000	190000	938
20.4	19120	4.25	68.5	30		MN 3E 543	225M-4	180000	190000	938
24.4	16030	3.75	57.4	30		MN 3E 543	225M-4	180000	190000	938
29.1	13430	3.75	48.1	30		MN 3E 543	225M-4	180000	190000	938
36.2	11170	2.24	38.7	29		MN 2E 445	225M-4	112000	118000	600
42.4	9520	3.15	33	29		MN 2E 445	225M-4	112000	118000	600
53.8	7500	3.55	26	29		MN 2E 445	225M-4	112000	118000	600
36.1	11200	1.9	38.8	25		MN 2E 429	225M-4	100000	106000	493
42.8	9440	2.5	32.7	25		MN 2E 429	225M-4	100000	106000	493
50.8	7950	2.8	27.6	25		MN 2E 429	225M-4	100000	106000	493
65.2	6200	3.35	21.5	25		MN 2E 429	225M-4	100000	106000	493
83.7	4830	4	16.7	25		MN 2E 429	225M-4	100000	106000	493
99.8	4050	3.75	14	25		MN 2E 429	225M-4	100000	106000	493
119	3390	3.75	11.8	25		MN 2E 429	225M-4	100000	106000	493

 $P_1 = 55\text{kW}$ $n_1 = 1400\text{rpm}$

36.2	13660	1.9	38.7	29		MN 2E 445	250M-4	112000	118000	661
42.4	11630	2.65	33	29		MN 2E 445	250M-4	112000	118000	661
53.8	9170	3	26	29		MN 2E 445	250M-4	112000	118000	661
63.9	7730	3.75	21.9	29		MN 2E 445	250M-4	112000	118000	661
82	6020	4.75	17.1	29		MN 2E 445	250M-4	112000	118000	661
97.8	5050	4.5	14.3	29		MN 2E 445	250M-4	112000	118000	661
124	3970	4.5	11.3	29		MN 2E 445	250M-4	112000	118000	661



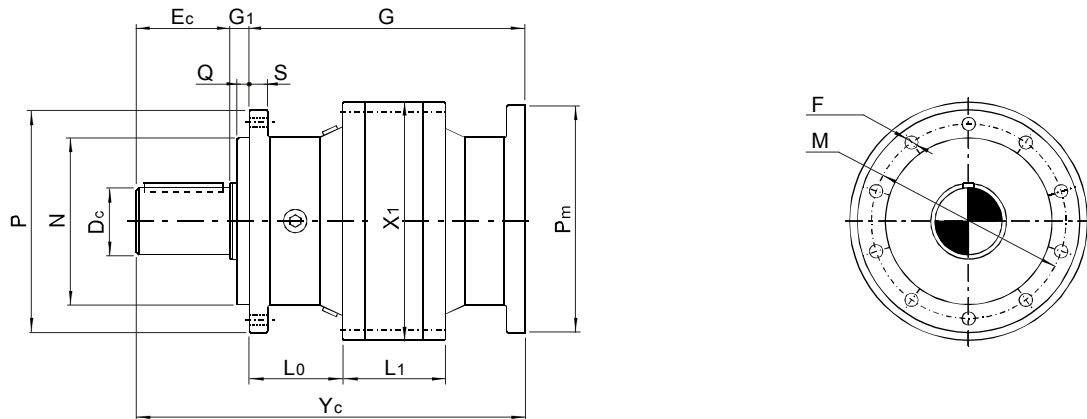
安装尺寸

行星减速机
1级行星齿轮
带电机同轴传动
规格 200~353

Mounting dimensions

planetary gear motor
1 stage planetary gear
in line transmission with motor
size 200~353

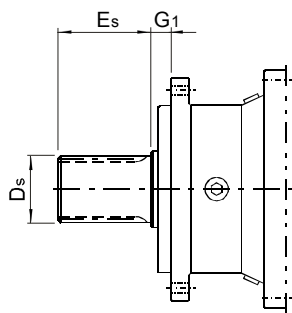
MN 1E200~353...C1C



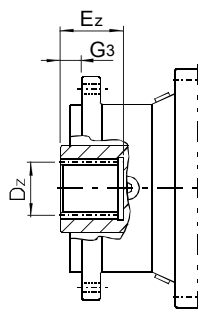
其它轴伸形式

Other shaft ends

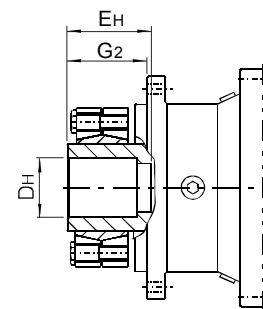
MN 1E200~353...C1S



MN 1E200~353...C1Z



MN 1E200~353...C1H



- 1) 实心轴详细尺寸见第152页;
- 2) 外花键详细尺寸见第152页;
- 3) 内花键详细尺寸见第153页;
- 4) 空心轴带胀紧套详细尺寸见第153页;
- 5) 输出法兰详细尺寸见第151页;
- 6) 可附加底脚, 详细尺寸见第154页;
- 7) 电机外形尺寸详细尺寸见第155页;

- 1) for cylindrical shaft details, see page 152;
- 2) for splined shaft details, see page 152;
- 2) for splined hollow shaft details, see page 153;
- 3) for hollow shaft with shrink disk details, see page 153;
- 4) for output flange details, see page 151;
- 5) can add foot on output flange, the details on page 154;
- 6) for motor dimensions, see page 155.



安装尺寸

行星减速机
1级行星齿轮
带电机同轴传动
规格 200~353

Mounting dimensions

planetary gear motor
1 stage planetary gear
in line transmission with motor
size 200~353

机型号 size	X ₁ Ø	L ₁	D _c Ø	E _c	D _s	E _s	D _H Ø	E _H	D _z
200	200	49	42	82	EXT 24zx2mx30	55	50	72	INT 24zx2mx30
201	200	61	50	82	EXT 24zx2mx30	55	50	72	INT 24zx2mx30
240	240	63	65	105	EXT 28zx2mx30	68	75	100	INT 28zx2mx30
241	240	78	65	105	EXT 28zx2mx30	68	75	100	INT 28zx2mx30
280	280	82	80	130	EXT 34zx2mx30	90	85	145	INT 34zx2mx30
353	353	92	90	130	EXT 40zx2mx30	90	100	140	INT 40zx2mx30

机型号 size	E _z	G ₁	G ₂	G ₃	L ₀	M Ø	N Øf7	Q	P Ø	S	重量 weight
200	42.5	6	50	6	62.5	165	110	5	185	12	21
201	42.5	6	56	6	62.5	165	110	5	185	12	24
240	54	15	85	15	89	195	150	14	220	18	43
241	54	15	85	15	89	195	150	14	220	18	48
280	82	40	115	40	142	250	200	15	280	22	87
353	85	36	120	36	124	295	230	10	325	25	138

机型号 size	G								P _m							
	电机规格/motor frame								电机规格/motor frame							
	80	90	100	112	132	160	180	200	80	90	100	112	132	160	180	200
200	158	158	176	176	189				200	200	250	250	300			
201		170	188	188	201					200	250	250	300			
240			208	208	221	221					250	250	300	350		
241			250	250	263	229	229				250	250	300	350	350	
280					354	408	408						300	350	350	
353					350	404	404	434					300	350	350	400

安装位置及油量(L)

Mounting positions and oil quantity(L)

规格 size	B5	V1, V3
201	0.65	1.1
240	0.95	1.7
241	1.25	2.2
280	2.0	3.2
353	3.0	5.5



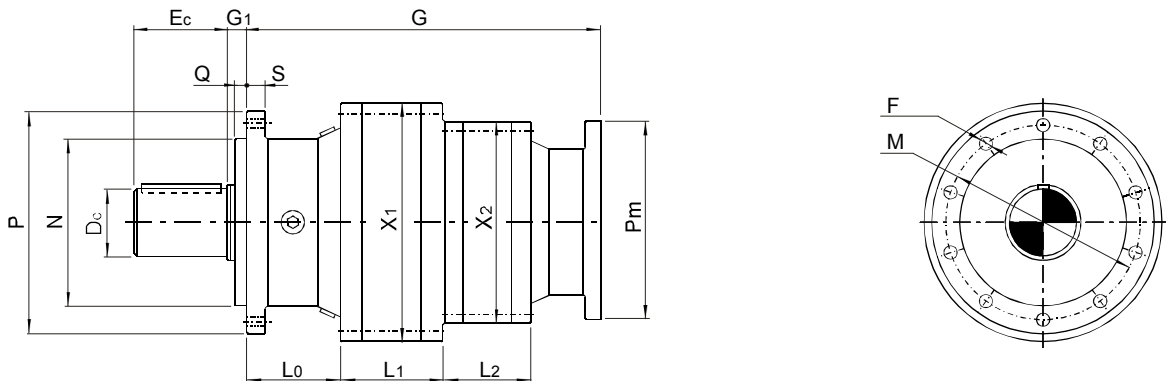
安装尺寸

行星减速机
2级行星齿轮
带电机同轴传动
规格 200~353

Mounting dimensions

planetary gear motor
2 stage planetary gear
in line transmission with motor
size 200~353

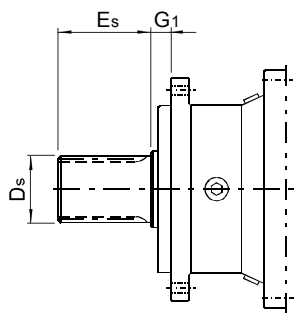
MN 2E200~353...C1C



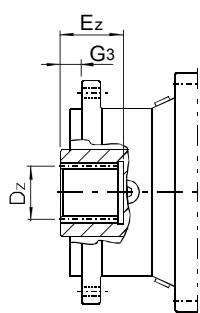
其它轴伸形式

Other shaft ends

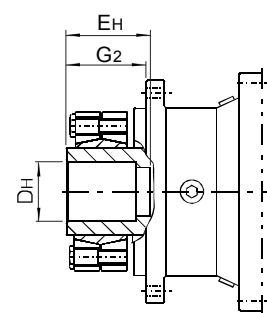
MN 2E200~353...C1S



MN 2E200~353...C1Z



MN 2E200~353...C1H



- 1) 实心轴详细尺寸见第152页;
- 2) 外花键详细尺寸见第152页;
- 3) 内花键详细尺寸见第153页;
- 4) 空心轴带胀紧套详细尺寸见第153页;
- 5) 输出法兰详细尺寸见第151页;
- 6) 可附加底脚,详细尺寸见第154页;
- 7) 电机外形尺寸详细尺寸见第155页;

- 1) for cylindrical shaft details, see page 152;
- 2) for splined shaft details, see page 152;
- 2) for splined hollow shaft details, see page 153;
- 3) for hollow shaft with shrink disk details, see page 153;
- 4) for output flange details, see page 151;
- 5) can add foot on output flange, the details on page 154;
- 6) for motor dimensions, see page 155.



安装尺寸
行星减速机
2级行星齿轮
带电机同轴传动
规格 200~353

Mounting dimensions
planetary gear motor
2 stage planetary gear
in line transmission with motor
size 200~353

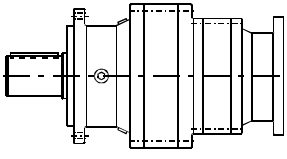
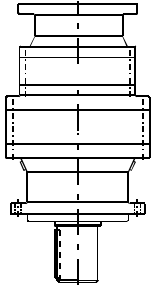
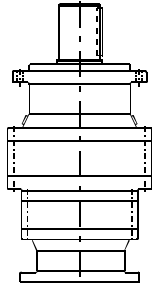
机型号 size	X ₁ Ø	L ₁	X ₂ Ø	L ₂	D _C Ø	E _C	D _S	E _S	D _H Ø	E _H	D _Z
200	200	49	200	48	42	82	EXT 24zx2mx30	55	50	72	INT 24zx2mx30
201	200	61	200	48	50	82	EXT 24zx2mx30	55	50	72	INT 24zx2mx30
240	240	63	200	48	65	105	EXT 28zx2mx30	68	75	100	INT 28zx2mx30
241	240	78	200	60	65	105	EXT 28zx2mx30	68	75	100	INT 28zx2mx30
280	280	72	240	70	80	130	EXT 34zx2mx30	90	85	145	INT 34zx2mx30
353	353	92	240	76	90	130	EXT 40zx2mx30	90	100	140	INT 40zx2mx30

机型号 size	E _Z	G ₁	G ₂	G ₃	L ₀	M Ø	N Øf7	Q	P Ø	S	重量 weight
200	42.5	6	50	6	62.5	165	110	5	185	12	29
201	42.5	6	56	6	62.5	165	110	5	185	12	32
240	54	15	85	15	89	195	150	14	220	18	51
241	54	15	85	15	89	195	150	14	220	18	59
280	82	40	115	40	142	250	200	15	280	22	102
353	85	36	120	36	124	295	230	10	325	25	153

机型号 size	G								P _m							
	电机规格/motor frame								电机规格/motor frame							
	80	90	100	112	132	160	180	200	80	90	100	112	132	160	180	200
200	206	206	224	224	237				200	200	250	250	300			
201		218	236	236	249					200	250	250	300			
240			263	263	276	276					250	250	300	350		
241			290	290	303	369	369				250	250	300	350	350	
280					368	422	422						300	350	350	
353					365	419	419	449					300	350	350	400

安装位置及油量(L)

Mounting positions and oil quantity(L)

B5	V1	V3	规格 size	B5	V1,V3
					
			201	1.1	1.9
			240	1.4	2.5
			241	1.9	3.3
			280	2.8	4.9
			353	4.1	7.2



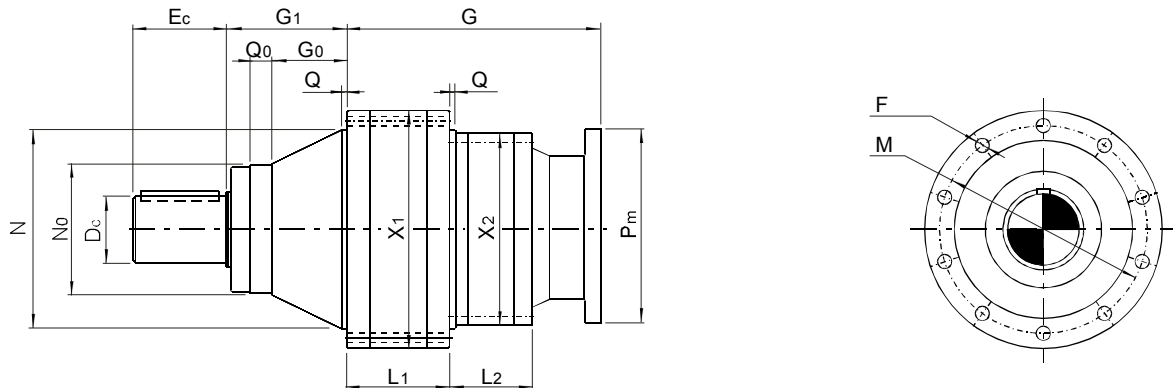
安装尺寸

行星减速机
2级行星齿轮
带电机同轴传动
规格 354~445

Mounting dimensions

planetary gear motor
2 stage planetary gear
in line transmission with motor
size 354~445

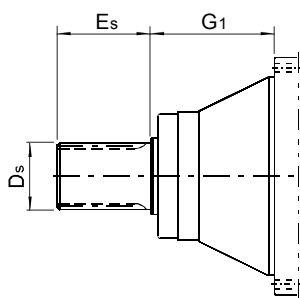
MN 2E354~445...C2C



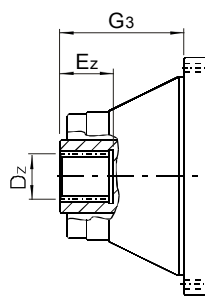
其它轴伸形式

Other shaft ends

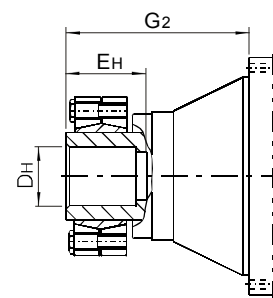
MN 2E354~445...C2S



MN 2E354~445...C2Z



MN 2E354~445...C2H



- 1) 实心轴详细尺寸见第152页;
- 2) 外花键详细尺寸见第152页;
- 3) 内花键详细尺寸见第153页;
- 4) 空心轴带胀紧套详细尺寸见第153页;
- 5) 输出法兰详细尺寸见第151页;
- 6) 可附加底脚, 详细尺寸见第154页;
- 7) 电机外形尺寸详细尺寸见第155页;

- 1) for cylindrical shaft details, see page 152;
- 2) for splined shaft details, see page 152;
- 2) for splined hollow shaft details, see page 153;
- 3) for hollow shaft with shrink disk details, see page 153;
- 4) for output flange details, see page 151;
- 5) can add foot on output flange, the details on page 154;
- 6) for motor dimensions, see page 155.



安装尺寸

行星减速机
2级行星齿轮
带电机同轴传动
规格 354~445

Mounting dimensions

planetary gear motor
2 stage planetary gear
in line transmission with motor
size 354~445

机型号 size	X ₁ Ø	L ₁	X ₂ Ø	L ₂	D _c Ø	E _c	D _s	E _s	D _H Ø	E _H	D _z
354	353	138	240	79	100	130	EXT 29zx3mx30	90	110	160	INT 29zx3mx30
355	353	139	280	104	100	130	EXT 29zx3mx30	90	110	160	INT 29zx3mx30
428	428	140	280	113	110	165	EXT 39zx3mx30	130	130	180	INT 39zx3mx30
429	428	184	353	82	120	165	EXT 39zx3mx30	130	130	180	INT 39zx3mx30
445	445	175	353	129	130	170	EXT 42zx3mx30	130	140	205	INT 42zx3mx30

机型号 size	E _z	G ₀	G ₁	G ₂	G ₃	M Ø	N Øf7	N ₀ Ø	Q	Q ₀	重量 weight
354	75	72	141	235	141	314	278	225	8.5	25	170
355	75	72	141	235	141	314	278	225	8.5	25	183
428	107	135	210	320	210	390	358	230	10	40	255
429	107	135	210	320	210	390	358	230	10	40	301
445	110	152	227	362	227	415	385	260	13	40	369

机型号 size	G								P _m							
	电机规格/motor frame								电机规格/motor frame							
	100	112	132	160	180	200	225	250	100	112	132	160	180	200	225	250
354				344	344	344						350	350	400		
355				437	437	437	467					350	350	400	450	
428				448	448	448	478					350	350	400	450	
429						454	484							400	450	
445						494	524	524						400	450	550

安装位置及油量(L)

Mounting positions and oil quantity(L)

规格 size	B5	V1, V3
354	5.1	8.9
355	5.6	9.8
428	6.6	11.6
429	8.6	15.1
445	10.7	18.7



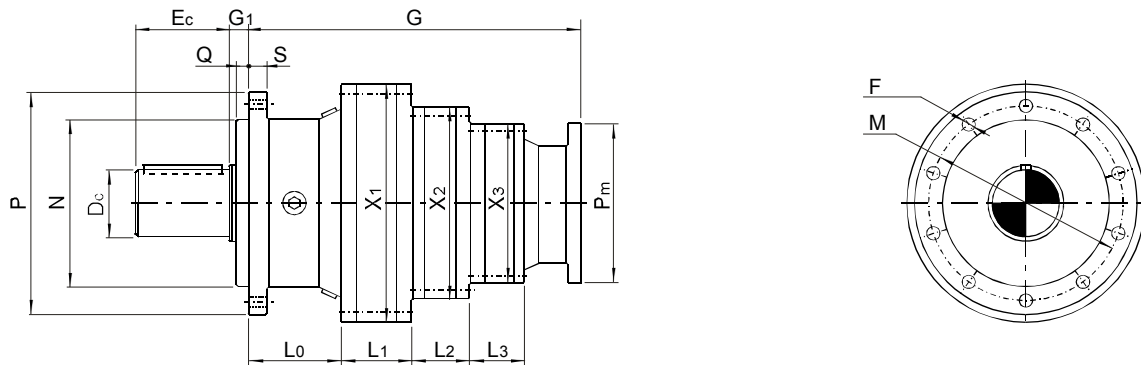
安装尺寸

行星减速机
3级行星齿轮
带电机同轴传动
规格 200~353

Mounting dimensions

planetary gear motor
3 stage planetary gear
in line transmission with motor
size 200~353

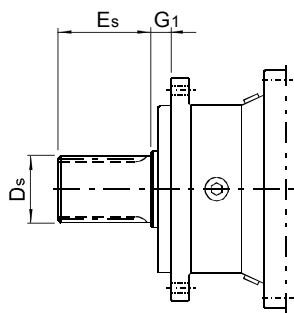
MN 3E200~353...C1C



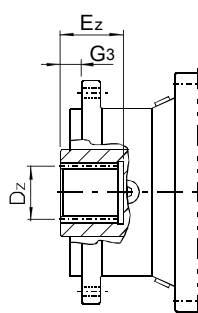
其它轴伸形式

Other shaft ends

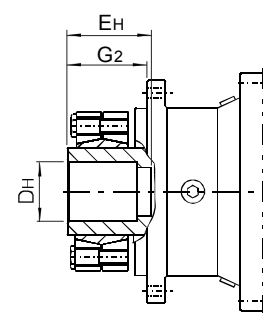
MN 3E200~353...C1S



MN 3E200~353...C1Z



MN 3E200~353...C1H



- 1) 实心轴详细尺寸见第152页;
- 2) 外花键详细尺寸见第152页;
- 3) 内花键详细尺寸见第153页;
- 4) 空心轴带胀紧套详细尺寸见第153页;
- 5) 输出法兰详细尺寸见第151页;
- 6) 可附加底脚,详细尺寸见第154页;
- 7) 电机外形尺寸详细尺寸见第155页;

- 1) for cylindrical shaft details, see page 152;
- 2) for splined shaft details, see page 152;
- 2) for splined hollow shaft details, see page 153;
- 3) for hollow shaft with shrink disk details, see page 153;
- 4) for output flange details, see page 151;
- 5) can add foot on output flange, the details on page 154;
- 6) for motor dimensions, see page 155.



安装尺寸

行星减速机
3级行星齿轮
带电机同轴传动
规格 200~353

Mounting dimensions

planetary gear motor
3 stage planetary gear
in line transmission with motor
size 200~353

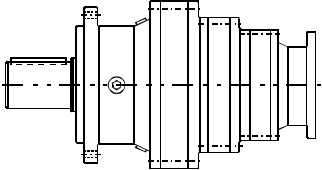
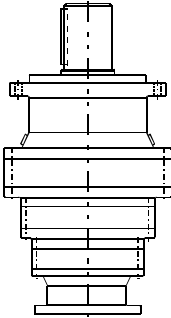
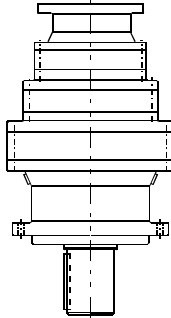
机型号 size	X ₁ Ø	L ₁	X ₂ Ø	L ₂	X ₃ Ø	L ₃	D _C Ø	E _C	D _S	E _S	D _H Ø	E _H
200	200	49	200	50	200	48	42	82	EXT 24zx2mx30	55	50	72
201	200	61	200	50	200	48	50	82	EXT 24zx2mx30	55	50	72
240	240	63	200	50	200	48	65	105	EXT 28zx2mx30	68	75	100
241	240	78	200	62	200	48	65	105	EXT 28zx2mx30	68	75	100
280	280	82	240	62	200	48	80	130	EXT 34zx2mx30	90	85	145
353	353	92	240	67	200	60	90	130	EXT 40zx2mx30	90	100	140

机型号 size	D _Z	E _Z	G ₁	G ₂	G ₃	L ₀	M Ø	N Øf7	Q	S	重量 weight
200	INT 24zx2mx30	42.5	6	50	6	62.5	165	110	5	12	37
201	INT 24zx2mx30	42.5	6	56	6	62.5	165	110	5	12	39
240	INT 28zx2mx30	54	15	85	15	89	195	150	14	18	56
241	INT 28zx2mx30	54	15	85	15	89	195	150	14	18	64
280	INT 34zx2mx30	82	40	115	40	142	250	200	15	22	95
353	INT 40zx2mx30	85	36	120	36	124	295	230	10	25	150

机型号 size	G							P _m						
	71	80	90	100	112	132	160	71	80	90	100	112	132	160
	电机规格/motor frame							电机规格/motor frame						
200	246	256	256	274				160	200	200	250			
201	258	268	268	286	286			160	200	200	250	250		
240	295	295	313	313	326				200	200	250	250	300	
241		322	322	340	340	353			200	200	250	250	300	
280			379	397	397	410				200	250	250	300	
353				407	407	420	486				250	250	300	350

安装位置及油量(L)

Mounting positions and oil quantity(L)

B5	V1	V3	规格 size	B5	V1,V3
					
			201	1.5	2.6
			240	1.8	3.2
			241	2.3	4.0
			280	3.2	5.6
			353	4.7	8.2



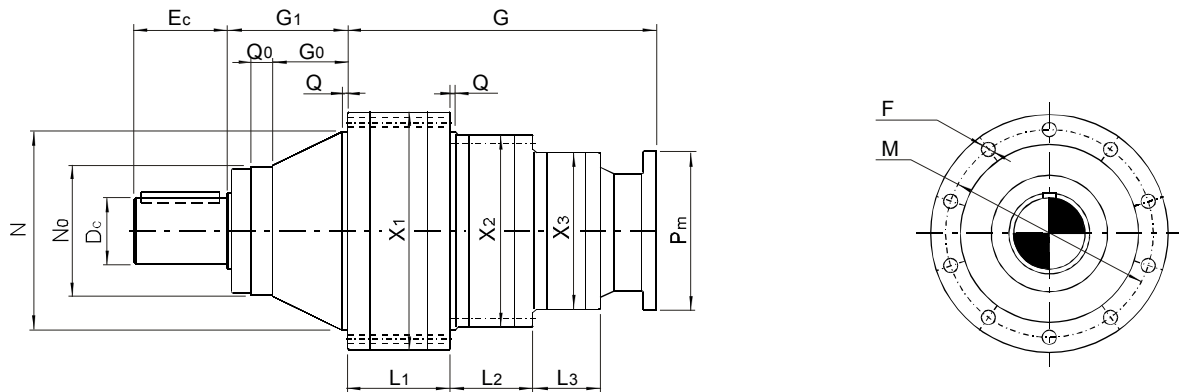
安装尺寸

行星减速机
3级行星齿轮
带电机同轴传动
规格 354~543

Mounting dimensions

planetary gear motor
3 stage planetary gear
in line transmission with motor
size 354~543

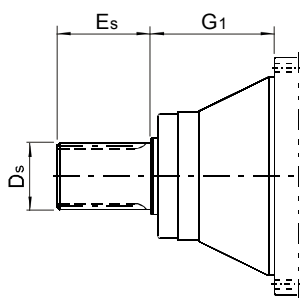
MN 3E354~543...C2C



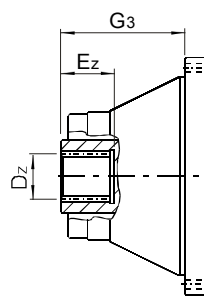
其它轴伸形式

Other shaft ends

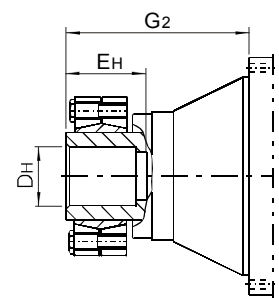
MN 3E354~543...C2S



MN 3E354~543...C2Z



MN 3E354~543...C2H



- 1) 实心轴详细尺寸见第152页;
- 2) 外花键详细尺寸见第152页;
- 3) 内花键详细尺寸见第153页;
- 4) 空心轴带胀紧套详细尺寸见第153页;
- 5) 输出法兰详细尺寸见第151页;
- 6) 可附加底脚, 详细尺寸见第154页;
- 7) 电机外形尺寸详细尺寸见第155页;

- 1) for cylindrical shaft details, see page 152;
- 2) for splined shaft details, see page 152;
- 2) for splined hollow shaft details, see page 153;
- 3) for hollow shaft with shrink disk details, see page 153;
- 4) for output flange details, see page 151;
- 5) can add foot on output flange, the details on page 154;
- 6) for motor dimensions, see page 155.



安装尺寸

行星减速机
3级行星齿轮
带电机同轴传动
规格 354~543

Mounting dimensions

planetary gear motor
3 stage planetary gear
in line transmission with motor
size 354~543

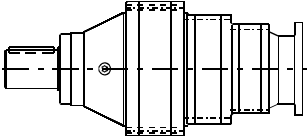
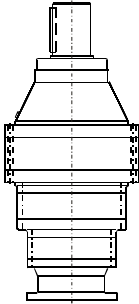
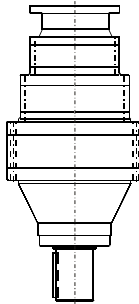
机型号 size	X ₁ Ø	L ₁	X ₂ Ø	L ₂	X ₃ Ø	L ₃	D _C Ø	E _C	D _S	E _S	D _H Ø	E _H
354	353	138	240	70	200	60	100	130	EXT 29zx3mx30	90	110	160
355	353	139	280	104	240	67	100	130	EXT 29zx3mx30	90	110	160
428	428	140	280	113	240	67	110	165	EXT 39zx3mx30	130	130	180
429	428	184	353	82	240	75	120	165	EXT 39zx3mx30	130	130	180
445	445	175	353	128	240	79	130	170	EXT 42zx3mx30	130	140	205
446	445	175	353	128	280	104	140	170	EXT 42zx3mx30	130	140	205
542	542	199	428	137	280	113	160	210	EXT 30zx5mx30	170	170	250
543	542	219	428	181	353	82	170	210	EXT 30zx5mx30	170	170	250

机型号 size	D _Z	E _Z	G ₀	G ₁	G ₂	G ₃	M Ø	N Øf7	N ₀ Ø	Q	Q ₀	重量 weight
354	INT 29zx3mx30	75	72	141	235	141	314	278	225	8.5	25	166
355	INT 29zx3mx30	75	72	141	235	141	314	278	225	8.5	25	196
428	INT 39zx3mx30	107	135	210	320	210	390	358	230	10	40	267
429	INT 39zx3mx30	107	135	210	320	210	390	358	230	10	40	318
445	INT 42zx3mx30	110	152	227	362	227	415	385	260	13	40	373
446	INT 42zx3mx30	110	152	227	362	227	415	385	260	13	40	386
542	INT 30zx5mx30	120	224	279	427	279	503	460	300	13	32	605
543	INT 30zx5mx30	120	224	279	437	279	503	460	300	13	32	696

机型号 size	G							P _m						
	电机规格/motor frame							电机规格/motor frame						
	100	112	132	160	180	200	225	100	112	132	160	180	200	225
354	332	332	345	411	411			250	250	300	350	350		
355		370	383	437	437				250	300	350	350		
428			394	448	448					300	350	350		
429			415	469	469	469				300	350	350	400	
445			455	509	509	509				300	350	350	400	
446				602	602	602	632				350	350	400	450
542				644	644	644	674				350	350	400	450
543					670	670	670					350	400	450

安装位置及油量(L)

Mounting positions and oil quantity(L)

B5	V1	V3	规格/size	B5	V1,V3
					
			354	5.7	10
			355	6.4	11.2
			428	7.4	13
			429	9.7	17
			445	11.8	21
			446	12.3	22
			542	15.6	27
			543	19.6	34



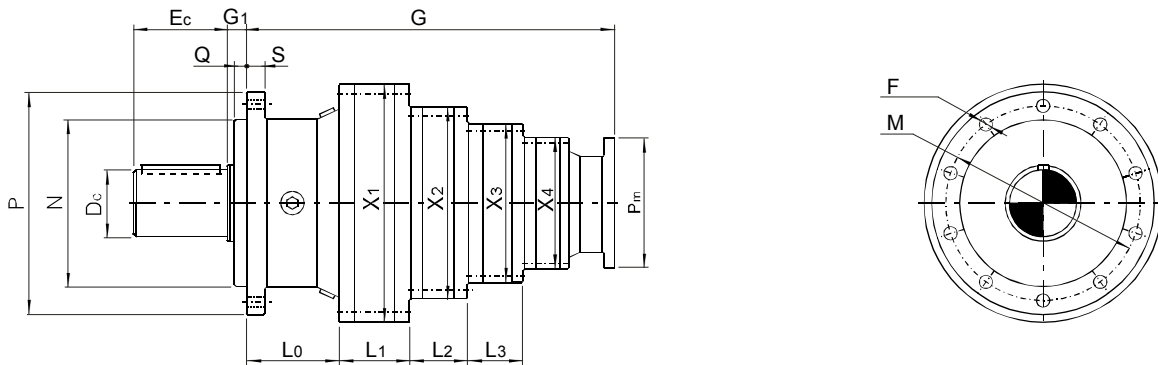
安装尺寸

行星减速机
4级行星齿轮
带电机同轴传动
规格 200~353

Mounting dimensions

planetary gear motor
4 stage planetary gear
in line transmission with motor
size 200~353

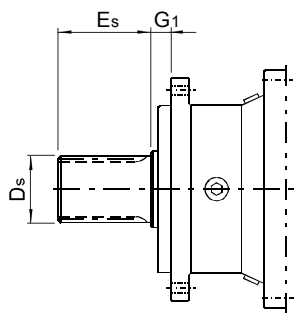
MN 4E200~353...C1C



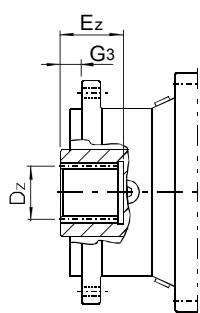
其它轴伸形式

Other shaft ends

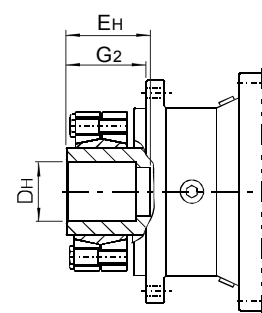
MN 4E200~353...C1S



MN 4E200~353...C1Z



MN 4E200~353...C1H



- 1) 实心轴详细尺寸见第152页;
- 2) 外花键详细尺寸见第152页;
- 3) 内花键详细尺寸见第153页;
- 4) 空心轴带胀紧套详细尺寸见第153页;
- 5) 输出法兰详细尺寸见第151页;
- 6) 可附加底脚,详细尺寸见第154页;
- 7) 电机外形尺寸详细尺寸见第155页;

- 1) for cylindrical shaft details, see page 152;
- 2) for splined shaft details, see page 152;
- 2) for splined hollow shaft details, see page 153;
- 3) for hollow shaft with shrink disk details, see page 153;
- 4) for output flange details, see page 151;
- 5) can add foot on output flange, the details on page 154;
- 6) for motor dimensions, see page 155.



安装尺寸

行星减速机
4级行星齿轮
带电机同轴传动
规格 200~353

Mounting dimensions

planetary gear motor
4 stage planetary gear
in line transmission with motor
size 200~353

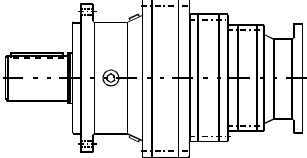
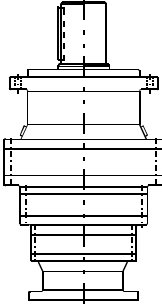
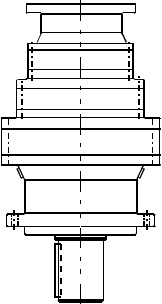
机型号 size	X ₁ Ø	L ₁	X ₂ Ø	L ₂	X ₃ Ø	L ₃	X ₄ Ø	L ₄	D _C Ø	E _C	D _S	E _S	D _H Ø	E _H
240	240	63	200	50	200	50	200	48	65	105	EXT 28zx2mx30	68	75	100
241	240	78	200	62	200	50	200	48	65	105	EXT 28zx2mx30	68	75	100
280	280	82	240	62	200	50	200	48	80	130	EXT 34zx2mx30	90	85	145
353	353	92	240	67	200	60	200	50	90	130	EXT 40zx2mx30	90	100	140

机型号 size	D _Z	E _Z	G ₁	G ₂	G ₃	L ₀	M Ø	N Øf7	Q	P Ø	S	重量 weight
240	INT 28zx2mx30	54	15	85	15	89	195	150	14	220	18	63
241	INT 28zx2mx30	54	15	85	15	89	195	150	14	220	18	71
280	INT 34zx2mx30	82	40	115	40	142	250	200	15	280	22	100
353	INT 40zx2mx30	85	36	120	36	124	295	230	10	325	25	155

机型号 size	G						p _m					
	电机规格/motor frame						电机规格/motor frame					
	71	80	90	100	112	132	71	80	90	100	112	132
240	335	345	345				160	200	200			
241	362	372	372	390			160	200	200	250		
280	419	429	429	447	447		160	200	200	250	250	
353		439	439	457	457	470		200	200	250	250	250

安装位置及油量(L)

Mounting positions and oil quantity(L)

B5	V1	V3	规格 size	B5	V1,V3
					
			241	2.7	4.7
			280	3.6	6.3
			353	5.1	8.9



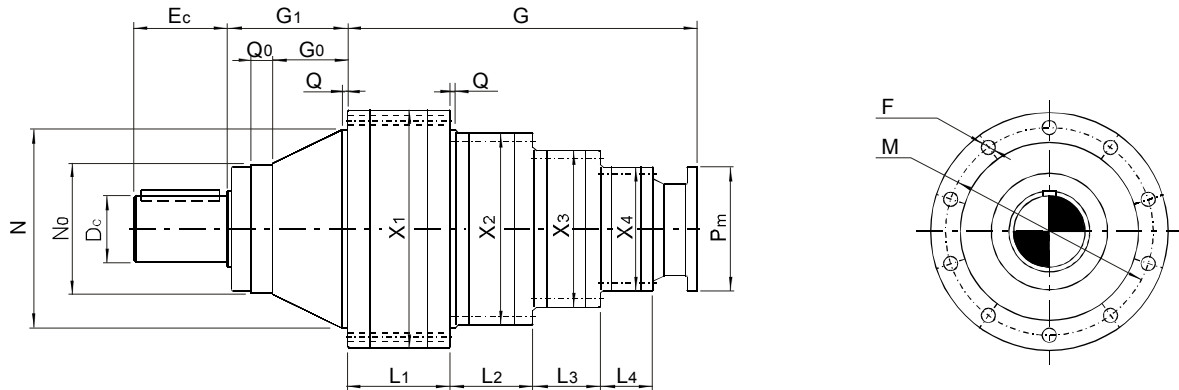
安装尺寸

行星减速机
4级行星齿轮
带电机同轴传动
规格 354~696

Mounting dimensions

planetary gear motor
4 stage planetary gear
in line transmission with motor
size 354~696

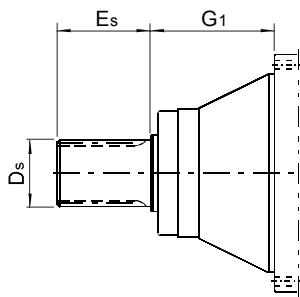
MN 4E354~696...C2C



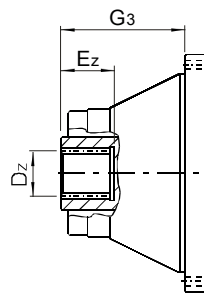
其它轴伸形式

Other shaft ends

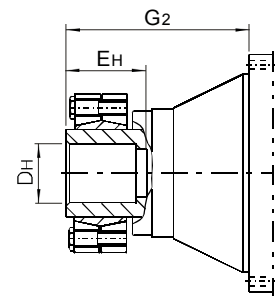
MN 4E354~696...C2S



MN 4E354~696...C2Z



MN 4E354~696...C2H



- 1) 152 ;
- 2) 外花键详细尺寸见第152页;
- 3) 内花键详细尺寸见第153页;
- 4) 空心轴带胀紧套详细尺寸见第153页;
- 5) 输出法兰详细尺寸见第151页;
- 6) 可附加底脚, 详细尺寸见第154页;
- 7) 电机外形尺寸详细尺寸见第155页;

- 1) for cylindrical shaft details, see page 152;
- 2) for splined shaft details, see page 152;
- 2) for splined hollow shaft details, see page 153;
- 3) for hollow shaft with shrink disk details, see page 153;
- 4) for output flange details, see page 151;
- 5) can add foot on output flange, the details on page 154;
- 6) for motor dimensions, see page 155.



安装尺寸

行星减速机

4级行星齿轮

带电机同轴传动

规格 354~696

Mounting dimensions

planetary gear motor

4 stage planetary gear

in line transmission with motor

size 354~696

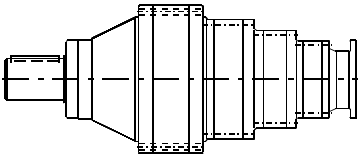
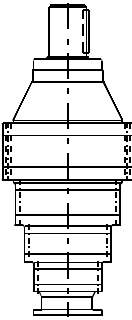
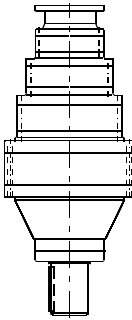
机型号 size	X ₁ Ø	L ₁	X ₂ Ø	L ₂	X ₃ Ø	L ₃	X ₄ Ø	L ₄	D _C Ø	E _C	D _S	E _S	D _H Ø	E _H
354	353	138	240	70	240	60	200	50	100	130	EXT 29zx3mx30	90	110	160
355	353	139	280	104	240	58	200	48	100	130	EXT 29zx3mx30	90	110	160
428	428	140	280	113	240	58	200	48	110	165	EXT 39zx3mx30	130	130	180
429	428	184	353	82	240	67	200	60	120	165	EXT 39zx3mx30	130	130	180
445	445	175	353	128	240	70	200	60	130	170	EXT 42zx3mx30	130	140	205
446	445	175	353	128	280	104	240	68	140	170	EXT 42zx3mx30	130	140	205
542	542	199	428	137	280	113	240	67	160	210	EXT 30zx5mx30	170	170	250
543	542	219	428	181	353	82	240	75	170	210	EXT 30zx5mx30	170	170	250
695	695	200	445	237	353	129	280	104	190	260	EXT 36zx5mx30	200	200	307
696	695	230	445	237	353	129	280	104	200	260	EXT 36zx5mx30	200	200	307

机型号 size	D _Z	E _Z	G ₀	G ₁	G ₂	G ₃	M Ø	N Øf7	N ₀ Øf7	Q	Q ₀	重量 weight
354	INT 29zx3mx30	75	72	141	235	141	314	278	225	8.5	25	171
355	INT 29zx3mx30	75	72	141	235	141	314	278	225	8.5	25	189
428	INT 39zx3mx30	107	135	210	320	210	390	358	230	10	40	260
429	INT 39zx3mx30	107	135	210	320	210	390	358	230	10	40	315
445	INT 42zx3mx30	110	152	227	362	227	415	385	260	13	40	369
446	INT 42zx3mx30	110	152	227	362	227	415	385	260	13	40	399
542	INT 30zx5mx30	120	224	279	427	279	503	460	300	13	32	617
543	INT 30zx5mx30	120	224	279	437	279	503	460	300	13	32	713
695	INT 36zx5mx30	140	-	152	318	152	635	560	-	20	-	1170
696	INT 36zx5mx30	140	-	152	333	152	635	560	-	20	-	1258

机型号 size	G									Pm								
	电机规格/motor frame									电机规格/motor frame								
	80	90	100	112	132	160	180	200	225	80	90	100	112	132	160	180	200	225
354	364	364	382	382	395					200	200	250	250	300				
355	395	395	413	413	426					200	200	250	250	300				
428		405	423	423	436						200	250	250	300				
429		438	456	456	469	535					200	250	250	300	350			
445			497	497	510	576	576					250	250	300	350	350		
446			535	535	548	602	602					250	250	300	350	350		
542				577	590	644	644						250	300	350	350		
543					631	685	685	685						300	350	350	400	
695					810	864	864	864	894					300	350	350	400	450
696					840	894	894	894	924					300	350	350	400	450

安装位置及油量(L)

Mounting positions and oil quantity(L)

B5	V1	V3	规格/size	B5	V1,V3
					
			354	6.1	10.7
			355	6.8	11.9
			428	7.8	13.7
			429	10.3	18
			445	12.4	22
			446	13.1	23
			542	16.4	29
			543	21	36
			695	27	47
			696	31	54



技术参数

转角式带电机行星减速机技术参数

TECHNICAL DATA


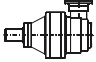
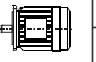

Technical data for right angle gear motor





技术参数

TECHNICAL DATA

$P_1 = 0.25\text{kW}$ $n_1 = 1400\text{rpm}$										
n_2 rpm	M_2 Nm	f_s	i	P_t KW				Fr_{2MAX} [N]		 Kg
								C	S	
0.657	3270	1.4	2132	8	MN C3E 241		7114	30000	35500	84
0.762	2820	1.8	1836	8	MN C3E 241		7114	30000	35500	84
0.898	2390	2.24	1559	8	MN C3E 241		7114	30000	35500	84
1.08	1980	2.8	1290	8	MN C3E 241		7114	30000	35500	84
1.36	1580	3.75	1030	8	MN C3E 241		7114	30000	35500	84
1.58	1360	4.25	887	8	MN C3E 241		7114	30000	35500	84
0.762	2820	1	1836	7.1	MN C3E 240		7114	30000	35500	75
0.898	2390	1.32	1559	7.1	MN C3E 240		7114	30000	35500	75
1.08	1980	1.6	1290	7.1	MN C3E 240		7114	30000	35500	75
1.36	1580	2	1030	7.1	MN C3E 240		7114	30000	35500	75
1.58	1360	2.24	887	7.1	MN C3E 240		7114	30000	35500	75
1.86	1160	2.65	753	7.1	MN C3E 240		7114	30000	35500	75
2.33	920	3.35	601	7.1	MN C3E 240		7114	30000	35500	75
2.81	760	4	498	7.1	MN C3E 240		7114	30000	35500	75
3.27	660	4.75	429	7.1	MN C3E 240		7114	30000	35500	75
5.61	392	2.12	250	7.1	MN C2E 200		7114	15000	18000	49
6.51	337	3	215	7.1	MN C2E 200		7114	15000	18000	49
7.67	287	3.55	183	7.1	MN C2E 200		7114	15000	18000	49
9.6	229	5.3	146	7.1	MN C2E 200		7114	15000	18000	49


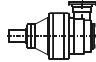
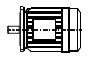
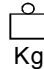
$P_1 = 0.37\text{kW}$ $n_1 = 1400\text{rpm}$										
0.773	4110	1.8	1811	9.5	MN C3E 280		7124	47500	53000	113
0.928	3430	2.65	1509	9.5	MN C3E 280		7124	47500	53000	113
1.12	2840	3.15	1249	9.5	MN C3E 280		7124	47500	53000	113
0.898	3540	1.5	1559	8	MN C3E 241		7124	30000	35500	84
1.08	2930	1.9	1290	8	MN C3E 241		7124	30000	35500	84
1.36	2340	2.5	1030	8	MN C3E 241		7124	30000	35500	84
1.58	2020	3	887	8	MN C3E 241		7124	30000	35500	84
1.86	1710	3.55	753	8	MN C3E 241		7124	30000	35500	84
2.33	1370	4.25	601	8	MN C3E 241		7124	30000	35500	84
0.898	3540	0.9	1559	7.1	MN C3E 240		7124	30000	35500	75
1.08	2930	1.06	1290	7.1	MN C3E 240		7124	30000	35500	75
1.36	2340	1.32	1030	7.1	MN C3E 240		7124	30000	35500	75
1.58	2020	1.5	887	7.1	MN C3E 240		7124	30000	35500	75
1.86	1710	1.8	753	7.1	MN C3E 240		7124	30000	35500	75
2.33	1370	2.24	601	7.1	MN C3E 240		7124	30000	35500	75
2.81	1130	2.8	498	7.1	MN C3E 240		7124	30000	35500	75
3.27	970	3.15	429	7.1	MN C3E 240		7124	30000	35500	75
4.09	780	4	342	7.1	MN C3E 240		7124	30000	35500	75
4.82	660	4.75	290	7.1	MN C3E 240		7124	30000	35500	75
5.61	580	2.65	250	7.1	MN C2E 201		7124	19000	22400	52



技术参数

TECHNICAL DATA

 $P_1 = 0.37\text{kW}$ $n_1 = 1400\text{rpm}$

n ₂ rpm	M ₂ Nm	f _s	i	Pt KW				Fr _{2MAX} [N]		 Kg
								C	S	
6.51	499	3.55	215	7.5	MN C2E 201		7124	19000	22400	52
7.67	424	4.25	183	7.5	MN C2E 201		7124	19000	22400	52
5.61	580	1.5	250	7.1	MN C2E 200		7124	15000	18000	49
6.51	499	2.12	215	7.1	MN C2E 200		7124	15000	18000	49
7.67	424	2.36	183	7.1	MN C2E 200		7124	15000	18000	49
9.6	339	3.55	146	7.1	MN C2E 200		7124	15000	18000	49
11.6	280	4.25	121	7.1	MN C2E 200		7124	15000	18000	49
13.5	241	4.75	104	7.1	MN C2E 200		7124	15000	18000	49
16	203	5.6	87.6	7.1	MN C2E 200		7124	15000	18000	49


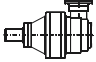
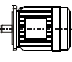

 $P_1 = 0.55\text{kW}$ $n_1 = 1400\text{rpm}$

0.747	6330	2.36	1873	12.5		MN C3E 354	801-4	71000	80000	217
0.745	6350	1.7	1880	10.6	MN C3E 353		801-4	60000	67000	173
0.884	5350	2.36	1584	10.6	MN C3E 353		801-4	60000	67000	173
1.07	4430	2.8	1311	10.6	MN C3E 353		801-4	60000	67000	173
1.12	4220	2.12	1249	9.5	MN C3E 280		801-4	47500	53000	119
1.32	3580	2.5	1060	9.5	MN C3E 280		801-4	47500	53000	119
1.52	3100	3	919	9.5	MN C3E 280		801-4	47500	53000	119
1.08	4360	1.25	1290	8	MN C3E 241		801-4	30000	35500	89
1.58	3000	2	887	8	MN C3E 241		801-4	30000	35500	89
1.86	2540	2.36	753	8	MN C3E 241		801-4	30000	35500	89
2.33	2030	3	601	8	MN C3E 241		801-4	30000	35500	89
2.81	1680	3.55	498	8	MN C3E 241		801-4	30000	35500	89
3.27	1450	4	429	8	MN C3E 241		801-4	30000	35500	89
1.58	3000	1.06	887	7.1	MN C3E 240		801-4	30000	35500	81
1.86	2540	1.18	753	7.1	MN C3E 240		801-4	30000	35500	81
2.33	2030	1.5	601	7.1	MN C3E 240		801-4	30000	35500	81
2.81	1680	1.8	498	7.1	MN C3E 240		801-4	30000	35500	81
3.27	1450	2.12	429	7.1	MN C3E 240		801-4	30000	35500	81
4.09	1160	2.65	342	7.1	MN C3E 240		801-4	30000	35500	81
4.82	980	3.15	290	7.1	MN C3E 240		801-4	30000	35500	81
5.61	860	2.65	250	7.1	MN C2E 240		801-4	30000	35500	74
5.61	860	1.8	250	7.5	MN C2E 201		801-4	19000	22400	58
6.51	740	2.36	215	7.5	MN C2E 201		801-4	19000	22400	58
7.67	630	2.8	183	7.5	MN C2E 201		801-4	19000	22400	58
9.6	500	4	146	7.5	MN C2E 201		801-4	19000	22400	58
5.61	860	1	250	7.1	MN C2E 200		801-4	15000	11800	55
6.51	740	1.4	215	7.1	MN C2E 200		801-4	15000	11800	55
7.67	630	1.6	183	7.1	MN C2E 200		801-4	15000	11800	55
9.6	500	2.36	146	7.1	MN C2E 200		801-4	15000	11800	55
11.6	416	2.8	121	7.1	MN C2E 200		801-4	15000	11800	55
13.5	359	3.35	104	7.1	MN C2E 200		801-4	15000	11800	55
16	302	3.75	87.6	7.1	MN C2E 200		801-4	15000	11800	55



技术参数

TECHNICAL DATA


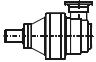
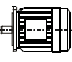

P₁ = 0.55kW n₁ = 1400rpm										
n ₂ rpm	M ₂ Nm	f _s	i	Pt KW				Fr _{2MAX} [N]		 Kg
								C	S	
19.3	250	4.5	72.5	7.1	MN C2E 200		801-4	15000	18000	55
22.4	215	5	62.4	7.1	MN C2E 200		801-4	15000	18000	55

P₁ = 0.75kW n₁ = 1400rpm										
0.736	8760	2	1903	13.2		MN C3E 355	802-4	71000	80000	230
0.873	7380	2.65	1603	13.2		MN C3E 355	802-4	71000	80000	230
0.747	8630	1.7	1873	12.5		MN C3E 354	802-4	71000	80000	217
0.887	7270	2.12	1579	12.5		MN C3E 354	802-4	71000	80000	217
1.07	6020	3	1306	12.5		MN C3E 354	802-4	71000	80000	217
0.884	7300	1.8	1584	10.6	MN C3E 353		802-4	60000	67000	173
1.07	6040	2.12	1311	10.6	MN C3E 353		802-4	60000	67000	173
1.26	5130	2.5	1113	10.6	MN C3E 353		802-4	60000	67000	173
1.61	3990	3.35	868	10.6	MN C3E 353		802-4	60000	67000	173
1.52	4230	2.12	919	9.5	MN C3E 280		802-4	47500	53000	119
1.84	3500	2.65	761	9.5	MN C3E 280		802-4	47500	53000	119
2.14	3020	3	655	9.5	MN C3E 280		802-4	47500	53000	119
1.58	4080	1.4	887	8	MN C3E 241		802-4	30000	35500	89
1.86	3470	1.7	753	8	MN C3E 241		802-4	30000	35500	89
2.33	2770	2.12	601	8	MN C3E 241		802-4	30000	35500	89
2.81	2290	2.5	498	8	MN C3E 241		802-4	30000	35500	89
3.27	1970	3	429	8	MN C3E 241		802-4	30000	35500	89
4.09	1580	3.75	342	8	MN C3E 241		802-4	30000	35500	89
6.6	1000	3.55	212	8	MN C2E 241		802-4	30000	35500	89
2.33	2770	1.12	601	7.1	MN C3E 240		802-4	30000	35500	81
2.81	2290	1.32	498	7.1	MN C3E 240		802-4	30000	35500	81
3.27	1970	1.6	429	7.1	MN C3E 240		802-4	30000	35500	81
4.09	1580	2	342	7.1	MN C3E 240		802-4	30000	35500	81
4.82	1340	2.36	290	7.1	MN C3E 240		802-4	30000	35500	81
5.68	1130	2.65	246	7.1	MN C3E 240		802-4	30000	35500	81
5.61	1180	1.9	250	9	MN C2E 240		802-4	30000	35500	74
6.6	1000	2.24	212	9	MN C2E 240		802-4	30000	35500	74
7.67	860	3	183	9	MN C2E 240		802-4	30000	35500	74
5.61	1180	1.32	250	7.5	MN C2E 201		802-4	19000	22400	58
6.51	1010	1.7	215	7.5	MN C2E 201		802-4	19000	22400	58
7.67	860	2.12	183	7.5	MN C2E 201		802-4	19000	22400	58
9.6	690	3	146	7.5	MN C2E 201		802-4	19000	22400	58
11.6	570	3.55	121	7.5	MN C2E 201		802-4	19000	22400	58
6.51	1010	1	215	7.1	MN C2E 200		802-4	15000	18000	55
7.67	860	1.18	183	7.1	MN C2E 200		802-4	15000	18000	55
9.6	690	1.8	146	7.1	MN C2E 200		802-4	15000	18000	55
11.6	570	2.12	121	7.1	MN C2E 200		802-4	15000	18000	55
13.5	489	2.36	104	7.1	MN C2E 200		802-4	15000	18000	55



技术参数

TECHNICAL DATA

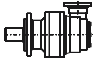
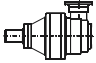
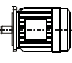

P₁ = 0.75kW n₁ = 1400rpm										
n ₂ rpm	M ₂ Nm	f _s	i	Pt KW				Fr _{2MAX} [N]		 Kg
								C	S	
13.5	489	4	104	7.5	MN C2E 201		802-4	19000	22400	58
16	412	2.8	87.6	7.1	MN C2E 200		802-4	15000	18000	55
19.3	341	3.35	72.5	7.1	MN C2E 200		802-4	15000	18000	55
22.4	294	3.75	62.4	7.1	MN C2E 200		802-4	15000	18000	55
28.1	235	4.5	49.8	7.1	MN C2E 200		802-4	15000	18000	55
33.1	199	5.3	42.3	7.1	MN C2E 200		802-4	15000	18000	55
39.6	172	3	35.3	8	MN CE 200		802-4	15000	18000	47
47.9	142	4.5	29.3	8	MN CE 200		802-4	15000	18000	47

P₁ = 1.1kW n₁ = 1400rpm										
0.736	12850	1.9	1903	15		MN C3E 428	90S-4	90000	97500	302
0.873	10830	2.24	1603	15		MN C3E 428	90S-4	90000	97500	302
0.736	12850	1.4	1903	13.2		MN C3E 355	90S-4	71000	80000	238
0.873	10830	1.8	1603	13.2		MN C3E 355	90S-4	71000	80000	238
1.07	8820	2.36	1306	13.2		MN C3E 355	90S-4	71000	80000	238
1.07	8820	2	1306	12.5		MN C3E 354	90S-4	71000	80000	225
1.26	5120	2.36	1109	12.5		MN C3E 354	90S-4	71000	80000	225
1.26	7520	1.7	1113	10.6	MN C3E 353		90S-4	60000	67000	181
1.61	5860	2.36	868	10.6	MN C3E 353		90S-4	60000	67000	181
1.95	4850	2.8	718	10.6	MN C3E 353		90S-4	60000	67000	181
2.26	4180	3.35	618	10.6	MN C3E 353		90S-4	60000	67000	181
2.14	4420	2.12	655	9.5	MN C3E 280		90S-4	47500	53000	127
2.68	3530	2.65	523	9.5	MN C3E 280		90S-4	47500	53000	127
3.11	3040	3	450	9.5	MN C3E 280		90S-4	47500	53000	127
2.33	4060	1.5	601	8	MN C3E 241		90S-4	30000	35500	102
2.81	3360	1.7	498	8	MN C3E 241		90S-4	30000	35500	102
3.27	2890	2	429	8	MN C3E 241		90S-4	30000	35500	102
4.09	2310	2.5	342	8	MN C3E 241		90S-4	30000	35500	102
4.82	1960	2.8	290	8	MN C3E 241		90S-4	30000	35500	102
5.68	1660	3.35	246	8	MN C3E 241		90S-4	30000	35500	102
5.61	1720	2.12	250	8	MN C2E 241		90S-4	30000	35500	102
6.6	1460	2.5	212	8	MN C2E 241		90S-4	30000	35500	102
3.27	2890	1.06	429	7.1	MN C3E 240		90S-4	30000	35500	89
4.09	2310	1.32	342	7.1	MN C3E 240		90S-4	30000	35500	89
4.82	1960	1.6	290	7.1	MN C3E 240		90S-4	30000	35500	89
5.68	1660	1.8	246	7.1	MN C3E 240		90S-4	30000	35500	89
5.61	1720	1.32	250	9	MN C2E 240		90S-4	30000	35500	82
6.6	1460	1.5	212	9	MN C2E 240		90S-4	30000	35500	82
7.67	1260	2	183	9	MN C2E 240		90S-4	30000	35500	82
5.61	1720	0.9	250	7.5	MN C2E 201		90S-4	19000	22400	66
6.51	1480	1.18	215	7.5	MN C2E 201		90S-4	19000	22400	66
7.67	1260	1.4	183	7.5	MN C2E 201		90S-4	19000	22400	66



技术参数


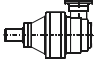
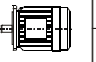

TECHNICAL DATA

P₁ = 1.1 kW n₁ = 1400 rpm										
n ₂ rpm	M ₂ Nm	f _s	i	Pt KW				Fr _{2MAX} [N]		 Kg
								C	S	
7.67	1260	3.55	183	10.2	MN C2E 241		90S-4	30000	35500	90
9.26	1040	4.25	151	10.2	MN C2E 241		90S-4	30000	35500	90
9.26	1040	2.5	151	10.2	MN C2E 240		90S-4	30000	35500	82
11.6	830	3.35	121	10.2	MN C2E 240		90S-4	30000	35500	82
9.6	1010	2	146	7.5	MN C2E 201		90S-4	19000	22400	66
11.6	830	2.36	121	7.5	MN C2E 201		90S-4	19000	22400	66
13.5	720	2.8	104	7.5	MN C2E 201		90S-4	19000	22400	66
16	600	3.15	87.6	7.5	MN C2E 201		90S-4	19000	22400	66
19.3	500	3.75	72.5	7.5	MN C2E 201		90S-4	19000	22400	66
22.4	431	4.25	62.4	7.5	MN C2E 201		90S-4	19000	22400	66
9.6	1010	1.18	146	7.1	MN C2E 200		90S-4	15000	18000	63
11.6	830	1.4	121	7.1	MN C2E 200		90S-4	15000	18000	63
13.5	720	1.6	104	7.1	MN C2E 200		90S-4	15000	18000	63
16	600	1.9	87.6	7.1	MN C2E 200		90S-4	15000	18000	63
19.3	500	2.24	72.5	7.1	MN C2E 200		90S-4	15000	18000	63
22.4	431	2.65	62.4	7.1	MN C2E 200		90S-4	15000	18000	63
28.1	344	3.15	49.8	7.1	MN C2E 200		90S-4	15000	18000	63
33.1	292	3.55	42.3	7.1	MN C2E 200		90S-4	15000	18000	63
39	248	3.35	35.9	7.1	MN C2E 200		90S-4	15000	18000	63
39.6	252	2	35.3	8.7	MN CE 200		90S-4	15000	18000	55
47.9	209	3	29.3	8.7	MN CE 200		90S-4	15000	18000	55
55.6	180	4.25	25.2	8.7	MN CE 200		90S-4	15000	18000	55
69.6	143	6.3	20.1	8.7	MN CE 200		90S-4	15000	18000	55
82.1	122	5.6	17.1	8.7	MN CE 200		90S-4	15000	18000	55
P₁ = 1.5 kW n₁ = 1400 rpm										
0.87	14830	2.24	1610	17.8		MN C3E 429	90L-4	100000	106000	322
0.873	14760	1.7	1603	17.8		MN C3E 428	90L-4	100000	106000	322
1.07	12030	2.5	1306	17.8		MN C3E 428	90L-4	100000	106000	322
1.07	12030	1.8	1306	13.2		MN C3E 355	90L-4	100000	106000	322
1.38	9370	2.5	1018	13.2		MN C3E 355	90L-4	100000	106000	322
1.62	7960	3	864	13.2		MN C3E 355	90L-4	100000	106000	322
1.47	8800	2	955	12.5		MN C3E 354	90L-4	71000	80000	225
1.88	6850	2.5	744	12.5		MN C3E 354	90L-4	71000	80000	225
1.84	7000	2.12	718	10.6	MN C3E 353		90L-4	60000	67000	181
2.26	5690	2.5	618	10.6	MN C3E 353		90L-4	60000	67000	181
2.63	4900	2.8	532	10.6	MN C3E 353		90L-4	60000	67000	181
3.29	3910	3.35	425	10.6	MN C3E 353		90L-4	60000	67000	181
3.11	4150	2.24	450	9.5	MN C3E 280		90L-4	47500	53000	127
3.89	3310	2.65	359	9.5	MN C3E 280		90L-4	47500	53000	127
3.27	3950	1.5	429	8.5	MN C3E 241		90L-4	30000	35500	97
4.09	3150	1.8	342	8.5	MN C3E 241		90L-4	30000	35500	97



技术参数

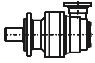
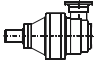
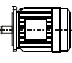

TECHNICAL DATA

$P_1 = 1.5\text{kW}$ $n_1 = 1400\text{rpm}$										
n_2 rpm	M_2 Nm	f_s	i	Pt KW				F_{r2MAX} [N]		 Kg
								C	S	
4.59	2810	3.15	305	9.5	MN C3E 280		90L-4	47500	53000	127
6.6	2000	3	212	12.5	MN C2E 280		90L-4	47500	53000	119
7.92	1660	3.75	177	12.5	MN C2E 280		90L-4	47500	53000	119
4.82	2670	2.12	290	8	MN C3E 241		90L-4	30000	35500	97
5.68	2270	2.5	246	8	MN C3E 241		90L-4	30000	35500	97
5.61	2350	1.6	250	10	MN C2E 241		90L-4	30000	35500	90
6.6	2000	1.8	212	10	MN C2E 241		90L-4	30000	35500	90
7.67	1720	2.5	183	10	MN C2E 241		90L-4	30000	35500	90
9.26	1420	3	151	10	MN C2E 241		90L-4	30000	35500	90
11.6	1140	4.5	121	10	MN C2E 241		90L-4	30000	35500	90
4.82	2670	1.18	290	7.1	MN C3E 240		90L-4	30000	35500	89
5.68	2270	1.32	246	7.1	MN C3E 240		90L-4	30000	35500	89
5.61	2350	0.95	250	9	MN C2E 240		90L-4	30000	35500	82
6.6	2000	1.12	212	9	MN C2E 240		90L-4	30000	35500	82
7.67	1720	1.5	183	9	MN C2E 240		90L-4	30000	35500	82
9.26	1420	1.9	151	9	MN C2E 240		90L-4	30000	35500	82
11.6	1140	2.5	121	9	MN C2E 240		90L-4	30000	35500	82
13.5	980	3.15	104	9	MN C2E 240		90L-4	30000	35500	82
16.9	780	4	83	9	MN C2E 240		90L-4	30000	35500	82
7.67	1720	1.06	183	7.5	MN C2E 201		90L-4	19000	22400	66
9.6	1370	1.5	146	7.5	MN C2E 201		90L-4	19000	22400	66
11.6	1140	1.7	121	7.5	MN C2E 201		90L-4	19000	22400	66
13.5	980	2	104	7.5	MN C2E 201		90L-4	19000	22400	66
16	820	2.36	87.6	7.5	MN C2E 201		90L-4	19000	22400	66
19.3	680	2.8	72.5	7.5	MN C2E 201		90L-4	19000	22400	66
22.4	590	3.15	62.4	7.5	MN C2E 201		90L-4	19000	22400	66
28.1	469	3.75	49.8	7.5	MN C2E 201		90L-4	19000	22400	66
33.1	398	4.5	42.3	7.5	MN C2E 201		90L-4	19000	22400	66
39	338	4.5	35.9	7.5	MN C2E 201		90L-4	19000	22400	66
39.6	344	2.65	35.3	8.5	MN CE 201		90L-4	19000	22400	58
47.9	284	4	29.3	8.5	MN CE 201		90L-4	19000	22400	58
9.6	1370	0.9	146	7.1	MN C2E 200		90L-4	15000	18000	63
11.6	1140	1.06	121	7.1	MN C2E 200		90L-4	15000	18000	63
13.5	980	1.18	104	7.1	MN C2E 200		90L-4	15000	18000	63
16	820	1.4	87.6	7.1	MN C2E 200		90L-4	15000	18000	63
19.3	680	1.7	72.5	7.1	MN C2E 200		90L-4	15000	18000	63
22.4	590	1.9	62.4	7.1	MN C2E 200		90L-4	15000	18000	63
28.1	469	2.36	49.8	7.1	MN C2E 200		90L-4	15000	18000	63
33.1	398	2.65	42.3	7.1	MN C2E 200		90L-4	15000	18000	63
39	338	2.5	35.9	7.1	MN C2E 200		90L-4	15000	18000	63
39.6	344	1.5	35.3	8	MN CE 200		90L-4	15000	18000	63
47.9	284	2.24	29.3	8	MN CE 200		90L-4	15000	18000	63
55.6	245	3.15	25.2	8	MN CE 200		90L-4	15000	18000	63
69.6	195	4.5	20.1	8	MN CE 200		90L-4	15000	18000	63



技术参数

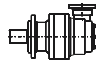
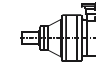
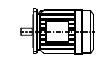

TECHNICAL DATA

P₁ = 1.5kW n₁ = 1400rpm										
n ₂ rpm	M ₂ Nm	f _s	i	Pt KW				Fr _{2MAX} [N]		 Kg
								C	S	
82.1	166	4.25	17.1	8	MN CE 200		90L-4	15000	18000	55
92.5	147	4.5	15.1	8	MN CE 200		90L-4	15000	18000	55
116	117	6.3	12.1	8	MN CE 200		90L-4	15000	18000	55
137	100	5.6	10.3	8	MN CE 200		90L-4	15000	18000	55
P₁ = 2.2kW n₁ = 1400rpm										
1.03	18420	2.24	1363	19		MN C3E 445	100L1-4	112000	118000	432
1.22	15440	2.5	1143	17		MN C3E 429	100L1-4	100000	106000	334
1.29	14700	2	1089	15		MN C3E 428	100L1-4	90000	97500	314
1.51	12490	2.36	924	15		MN C3E 428	100L1-4	90000	97500	314
1.62	11670	2	864	13.2		MN C3E 355	100L1-4	71000	80000	249
1.96	9660	2.36	715	13.2		MN C3E 355	100L1-4	71000	80000	249
2.36	8030	2.5	594	12.5		MN C3E 354	100L1-4	71000	80000	237
2.85	6640	3	492	12.5		MN C3E 354	100L1-4	71000	80000	237
2.63	7190	1.9	532	10.6	MN C3E 353		100L1-4	60000	67000	193
3.29	5740	2.36	425	10.6	MN C3E 353		100L1-4	60000	67000	193
3.88	4870	2.65	361	10.6	MN C3E 353		100L1-4	60000	67000	193
4.38	4320	3	320	10.6	MN C3E 353		100L1-4	60000	67000	193
6.36	3040	2.8	220	15	MN C2E 353		100L1-4	60000	67000	183
7.54	2506	3.55	186	15	MN C2E 353		100L1-4	60000	67000	183
4.59	4120	2.12	305	9.5	MN C3E 280		100L1-4	47500	53000	138
5.41	3500	2.5	259	9.5	MN C3E 280		100L1-4	47500	53000	138
6.6	2930	2	212	12.5	MN C2E 280		100L1-4	47500	53000	131
7.92	2404	2.65	177	12.5	MN C2E 280		100L1-4	47500	53000	131
9.57	2020	3.55	146	12.5	MN C2E 280		100L1-4	47500	53000	131
3.27	5790	1	429	8	MN C3E 241		100L1-4	30000	35500	116
4.82	3920	1.4	290	8	MN C3E 241		100L1-4	30000	35500	116
5.68	3330	1.7	246	8	MN C3E 241		100L1-4	30000	35500	116
5.61	3450	1.06	250	10	MN C2E 241		100L1-4	30000	35500	102
6.6	2930	1.25	212	10	MN C2E 241		100L1-4	30000	35500	102
7.67	2502	1.8	183	10	MN C2E 241		100L1-4	30000	35500	102
9.26	2090	2.12	151	10	MN C2E 241		100L1-4	30000	35500	102
11.6	1670	3	121	10	MN C2E 241		100L1-4	30000	35500	102
13.5	1430	3.55	104	10	MN C2E 241		100L1-4	30000	35500	102
7.67	2502	1	183	9	MN C2E 240		100L1-4	30000	35500	94
9.26	2090	1.25	151	9	MN C2E 240		100L1-4	30000	35500	94
11.6	1670	1.7	121	9	MN C2E 240		100L1-4	30000	35500	94
13.5	1430	2.12	104	9	MN C2E 240		100L1-4	30000	35500	94
9.6	2010	1	146	7.5	MN C2E 201		100L1-4	19000	22400	66
11.6	1670	1.18	121	7.5	MN C2E 201		100L1-4	19000	22400	66
13.5	1430	1.4	104	7.5	MN C2E 201		100L1-4	19000	22400	66



技术参数

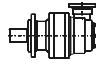
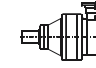
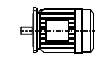
TECHNICAL DATA

$P_1=2.2\text{kW}$ $n_1=1400\text{rpm}$										
n_2 rpm	M_2 Nm	f_s	i	P_t KW				Fr_{2MAX} [N]		 Kg
								C	S	
16.9	1150	4.25	83	10	MN C2E 241		100L1-4	30000	35500	102
19.3	1000	4.5	72.5	10	MN C2E 241		100L1-4	30000	35500	102
16.9	1150	2.65	83	9	MN C2E 240		100L1-4	30000	35500	94
19.3	1000	2.5	72.5	9	MN C2E 240		100L1-4	30000	35500	94
22.4	860	3.15	62.4	9	MN C2E 240		100L1-4	30000	35500	94
28.1	690	4.25	49.8	9	MN C2E 240		100L1-4	30000	35500	94
16	1210	1.6	87.6	7.5	MN C2E 201		100L1-4	19000	22400	77
19.3	1000	1.9	72.5	7.5	MN C2E 201		100L1-4	19000	22400	77
22.4	860	2.12	62.4	7.5	MN C2E 201		100L1-4	19000	22400	77
28.1	690	2.65	49.8	7.5	MN C2E 201		100L1-4	19000	22400	77
33.1	580	3	42.3	7.5	MN C2E 201		100L1-4	19000	22400	77
19.3	1000	1.12	72.5	7.1	MN C2E 200		100L1-4	15000	18000	74
22.4	860	1.32	62.4	7.1	MN C2E 200		100L1-4	15000	18000	74
28.1	690	1.6	49.8	7.1	MN C2E 200		100L1-4	15000	18000	74
33.1	580	1.8	42.3	7.1	MN C2E 200		100L1-4	15000	18000	74
16	1210	0.95	87.6	7.1	MN C2E 200		100L1-4	15000	18000	74
$P_1=3\text{kW}$ $n_1=1400\text{rpm}$										
4.88	5280	3.55	287	12.5		MN C3E 354	100L2-4	71000	80000	237
7.57	3480	3.55	185	12.5		MN C2E 354	100L2-4	71000	80000	237
4.59	5620	2.24	320	10.6	MN C3E 353		100L2-4	60000	67000	193
5.48	4700	2.8	255	10.6	MN C3E 353		100L2-4	60000	67000	193
6.87	3750	2.65	204	10.6	MN C3E 353		100L2-4	60000	67000	193
6.36	4150	2	220	15	MN C2E 353		100L2-4	60000	67000	183
7.54	3490	2.65	186	15	MN C2E 353		100L2-4	60000	67000	183
9.12	2890	3.55	154	15	MN C2E 353		100L2-4	60000	67000	183
6.6	3990	1.5	212	15	MN C2E 280		100L2-4	60000	67000	131
7.92	3330	1.9	177	15	MN C2E 280		100L2-4	60000	67000	131
9.57	2750	2.65	146	15	MN C2E 280		100L2-4	60000	67000	131
11	2390	3.35	127	15	MN C2E 280		100L2-4	60000	67000	131
12.8	2050	3.75	109	15	MN C2E 280		100L2-4	60000	67000	131
6.6	3990	0.9	212	10	MN C2E 241		100L2-4	30000	35500	102
7.67	3440	1.32	183	10	MN C2E 241		100L2-4	30000	35500	102
9.26	2850	1.5	151	10	MN C2E 241		100L2-4	30000	35500	102
11.6	2270	2.24	121	10	MN C2E 241		100L2-4	30000	35500	102
13.5	1960	2.65	104	10	MN C2E 241		100L2-4	30000	35500	102
16.9	1560	3.15	83	10	MN C2E 241		100L2-4	30000	35500	102
9.26	2850	0.95	151	9	MN C2E 240		100L2-4	30000	35500	94
11.6	2270	1.25	121	9	MN C2E 240		100L2-4	30000	35500	94
13.5	1960	1.6	104	9	MN C2E 240		100L2-4	30000	35500	94
16.9	1560	2	83	9	MN C2E 240		100L2-4	30000	35500	94
13.5	1960	1	104	9	MN C2E 201		100L2-4	19000	22400	77
16	1650	1.18	87.6	9	MN C2E 201		100L2-4	19000	22400	77



技术参数

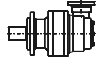
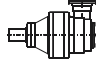
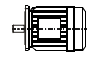
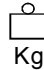
TECHNICAL DATA

P₁ = 3 kW n₁ = 1400 rpm										
n ₂ rpm	M ₂ Nm	f _s	i	P _t KW				Fr ₂ MAX [N]		Kg
								C	S	
19.3	1360	3.35	72.5	10.2	MN C2E 241		100L2-4	30000	35500	101
22.4	1180	4	62.4	10.2	MN C2E 241		100L2-4	30000	35500	101
19.3	1360	1.9	72.5	9.1	MN C2E 240		100L2-4	30000	35500	94
28.1	940	3.15	49.8	9.1	MN C2E 240		100L2-4	30000	35500	94
22.4	1180	2.24	62.4	9.1	MN C2E 240		100L2-4	30000	35500	94
33.1	800	3.15	42.3	9.1	MN C2E 240		100L2-4	30000	35500	94
39	680	3.15	35.9	9.1	MN C2E 240		100L2-4	30000	35500	94
39.6	690	1.9	35.3	11.2	MN CE 240		100L2-4	30000	35500	86
47.9	570	3	29.3	11.2	MN CE 240		100L2-4	30000	35500	86
19.3	1360	1.4	72.5	7.5	MN C2E 201		100L2-4	19000	22400	77
22.4	1180	1.6	62.4	7.5	MN C2E 201		100L2-4	19000	22400	77
28.1	940	1.9	49.8	7.5	MN C2E 201		100L2-4	19000	22400	77
33.1	800	2.24	42.3	7.5	MN C2E 201		100L2-4	19000	22400	77
39	680	2.24	35.9	7.5	MN C2E 201		100L2-4	19000	22400	77
39.6	690	1.32	35.3	8.5	MN CE 201		100L2-4	19000	22400	70
47.9	570	2	29.3	8.5	MN CE 201		100L2-4	19000	22400	70
55.6	490	2.8	25.2	8.5	MN CE 201		100L2-4	19000	22400	70
69.6	391	3.75	20.1	8.5	MN CE 201		100L2-4	19000	22400	70
82.1	332	3.75	17.1	8.5	MN CE 201		100L2-4	19000	22400	70
92.5	294	4	15.1	8.5	MN CE 201		100L2-4	19000	22400	70
22.4	1180	0.95	62.4	7.1	MN C2E 200		100L2-4	15000	18000	74
33.1	800	1.32	42.3	7.1	MN C2E 200		100L2-4	15000	18000	74
39	680	1.25	35.9	7.1	MN C2E 200		100L2-4	15000	18000	74
47.9	570	1.12	29.3	8.7	MN CE 200		100L2-4	15000	18000	67
55.6	490	1.6	25.2	8.7	MN CE 200		100L2-4	15000	18000	67
69.6	391	2.24	20.1	8.7	MN CE 200		100L2-4	15000	18000	67
82.1	332	2.12	17.1	8.7	MN CE 200		100L2-4	15000	18000	67
92.5	294	2.24	15.1	8.7	MN CE 200		100L2-4	15000	18000	67
116	235	3.15	12.1	8.7	MN CE 200		100L2-4	15000	18000	67
137	199	2.8	10.3	8.7	MN CE 200		100L2-4	15000	18000	67
P₁ = 4 kW n₁ = 1400 rpm										
1.01	34100	1.7	1389	25.8	MN C3E 542	112M-4		150000	160000	667
1.2	28730	2.36	1170	25.8	MN C3E 542	112M-4		150000	160000	667
1.19	28970	1.9	1180	31.5	MN C3E 446	112M-4		125000	132000	452
1.51	22840	2.5	930	31.5	MN C3E 446	112M-4		125000	132000	452
1.21	28530	1.7	1162	19.8	MN C3E 445	112M-4		112000	118000	439
1.53	22490	2.12	916	19.8	MN C3E 445	112M-4		112000	118000	439
1.22	28070	1.4	1143	26.5	MN C3E 429	112M-4		100000	106000	341
1.44	23840	1.6	971	26.5	MN C3E 429	112M-4		100000	106000	341
1.85	18570	2.24	756	26.5	MN C3E 429	112M-4		100000	106000	341



技术参数

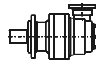
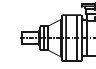
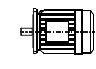

TECHNICAL DATA

P ₁ = 4 kW n ₁ = 1400 rpm										
n ₂ rpm	M ₂ Nm	f _s	i	P _t KW				Fr ₂ MAX [N]		 Kg
								C	S	
1.85	18610	2.65	758	19.8		MN C3E 445	112M-4	112000	118000	439
2.24	15370	2.65	626	17.8		MN C3E 429	112M-4	100000	106000	341
2.35	14640	1.9	596	15.8		MN C3E 428	112M-4	90000	97500	321
2.71	12690	2.5	517	15.8		MN C3E 428	112M-4	90000	97500	321
3.15	10920	2.8	445	15.8		MN C3E 428	112M-4	90000	97500	321
2.71	12690	1.8	517	13.2		MN C3E 355	112M-4	71000	80000	256
3.15	10920	2.12	445	13.2		MN C3E 355	112M-4	71000	80000	256
3.94	8720	2.5	355	13.2		MN C3E 355	112M-4	71000	80000	256
7.46	4710	3.35	188	19.8		MN C2E 355	112M-4	71000	80000	249
4.14	8300	2.24	338	12.5		MN C3E 354	112M-4	71000	80000	244
4.88	7040	2.65	287	12.5		MN C3E 354	112M-4	71000	80000	244
5.75	5980	2.5	243	12.5		MN C3E 354	112M-4	71000	80000	244
6.86	5010	2.5	204	12.5		MN C3E 354	112M-4	71000	80000	244
6.38	5510	2.12	219	18		MN C2E 354	112M-4	71000	80000	236
7.57	4640	2.65	185	18		MN C2E 354	112M-4	71000	80000	236
9.15	3840	3.55	153	18		MN C2E 354	112M-4	71000	80000	236
5.48	6270	2.12	255	10.6	MN C3E 353		112M-4	60000	67000	193
6.87	5010	2	204	10.6	MN C3E 353		112M-4	60000	67000	193
6.36	5530	1.5	220	15.2	MN C2E 353		112M-4	60000	67000	190
7.54	4660	2	186	15.2	MN C2E 353		112M-4	60000	67000	190
9.12	3850	2.65	154	15.2	MN C2E 353		112M-4	60000	67000	190
11.7	3000	3.55	120	15.2	MN C2E 353		112M-4	60000	67000	190
9.57	3670	1.9	146	12.5	MN C2E 280		112M-4	47500	53000	138
11	3180	2.5	127	12.5	MN C2E 280		112M-4	47500	53000	138
12.8	2740	2.8	109	12.5	MN C2E 280		112M-4	47500	53000	138
16.1	2190	3.55	87.1	12.5	MN C2E 280		112M-4	47500	53000	138
18.4	1910	3.35	76.1	12.5	MN C2E 280		112M-4	47500	53000	138
9.26	3790	1.12	151	10.2	MN C2E 241		112M-4	30000	35500	109
11.6	3030	1.7	121	10.2	MN C2E 241		112M-4	30000	35500	109
13.5	2610	1.9	104	10.2	MN C2E 241		112M-4	30000	35500	109
16.9	2080	2.36	83	10.2	MN C2E 241		112M-4	30000	35500	109
19.3	1820	2.5	72.5	10.2	MN C2E 241		112M-4	30000	35500	109
22.4	1570	3	62.4	10.2	MN C2E 241		112M-4	30000	35500	109
28.1	1250	3.75	49.8	10.2	MN C2E 241		112M-4	30000	35500	109
11.6	3030	0.95	121	9.1	MN C2E 240		112M-4	30000	35500	101
13.5	2610	1.18	104	9.1	MN C2E 240		112M-4	30000	35500	101
16.9	2080	1.5	83	9.1	MN C2E 240		112M-4	30000	35500	101
19.3	1820	1.4	72.5	9.1	MN C2E 240		112M-4	30000	35500	101
22.4	1570	1.7	62.4	9.1	MN C2E 240		112M-4	30000	35500	101
28.1	1250	2.36	49.8	9.1	MN C2E 240		112M-4	30000	35500	101
19.3	1820	1.06	72.5	7.5	MN C2E 201		112M-4	19000	22400	84
22.4	1570	1.18	62.4	7.5	MN C2E 201		112M-4	19000	22400	84
28.1	1250	1.4	49.8	7.5	MN C2E 201		112M-4	19000	22400	84



技术参数

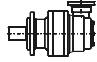
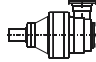
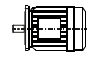
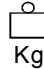
TECHNICAL DATA

P ₁ =4 kW n ₁ =1400rpm										
n ₂ rpm	M ₂ Nm	f _s	i	Pt KW				Fr ₂ MAX [N]		 Kg
								C	S	
33.1	1060	3.75	42.3	10.2	MN C2E 241		112M-4	30000	35500	109
39	900	3.75	35.9	10.2	MN C2E 241		112M-4	30000	35500	109
39.8	910	2.36	35.2	15.5	MN CE 241		112M-4	30000	35500	129
48	760	3.55	29.1	15.5	MN CE 241		112M-4	30000	35500	129
33.1	1060	2.36	42.3	9.1	MN C2E 240		112M-4	30000	35500	101
39	900	2.36	35.9	9.1	MN C2E 240		112M-4	30000	35500	101
39.6	920	1.4	35.3	9.1	MN CE 240		112M-4	30000	35500	93
47.9	760	2.24	29.3	9.1	MN CE 240		112M-4	30000	35500	93
55.6	650	3.15	25.2	9.1	MN CE 240		112M-4	30000	35500	93
33.1	1060	1.7	42.3	7.5	MN C2E 201		112M-4	19000	22400	84
39	900	1.7	35.9	7.5	MN C2E 201		112M-4	19000	22400	84
39.6	920	1	35.3	8.5	MN CE 201		112M-4	19000	22400	77
47.9	760	1.5	29.3	8.5	MN CE 201		112M-4	19000	22400	77
55.6	650	2.12	25.2	8.5	MN CE 201		112M-4	19000	22400	77
69.6	520	2.8	20.1	8.5	MN CE 201		112M-4	19000	22400	77
82.1	442	2.8	17.1	8.5	MN CE 201		112M-4	19000	22400	77
92.5	392	3.15	15.1	8.5	MN CE 201		112M-4	19000	22400	77
116	313	4	12.1	8.5	MN CE 201		112M-4	19000	22400	77
137	266	3.75	10.3	8.5	MN CE 201		112M-4	19000	22400	77
33.1	1060	1	42.3	7.1	MN C2E 200		112M-4	15000	18000	81
39	900	0.95	35.9	7.1	MN C2E 200		112M-4	15000	18000	81
55.6	650	1.18	25.2	8.7	MN CE 200		112M-4	15000	18000	74
69.6	520	1.7	20.1	8.7	MN CE 200		112M-4	15000	18000	74
82.1	442	1.6	17.1	8.7	MN CE 200		112M-4	15000	18000	74
92.5	392	1.7	15.1	8.7	MN CE 200		112M-4	15000	18000	74
116	313	2.5	12.1	8.7	MN CE 200		112M-4	15000	18000	74
137	266	2.12	10.3	8.7	MN CE 200		112M-4	15000	18000	74
P ₁ = 5.5kW n ₁ =1400rpm										
1.19	39670	2	1175	28.8		MN C3E 543	132S-4	180000	190000	791
1.54	30780	2.5	912	25.8		MN C3E 542	132S-4	150000	160000	667
1.88	25080	3.15	743	25.8		MN C3E 542	132S-4	150000	160000	667
1.51	31410	1.8	930	20.8		MN C3E 446	132S-4	125000	132000	485
1.79	26460	2.36	784	20.8		MN C3E 446	132S-4	125000	132000	485
2.19	21560	2.65	639	19.8		MN C3E 445	132S-4	112000	118000	485
2.55	18570	3	550	19.8		MN C3E 445	132S-4	112000	118000	485
2.6	18200	2.12	539	17.8		MN C3E 429	132S-4	100000	106000	485
3.25	14530	2.65	430	17.8		MN C3E 429	132S-4	100000	106000	485
3.15	15020	2.12	445	15.8		MN C3E 428	132S-4	90000	97500	321
3.94	11990	2.5	355	15.8		MN C3E 428	132S-4	90000	97500	321
4.65	10180	3	301	15.8		MN C3E 428	132S-4	90000	97500	321
3.94	11990	1.9	355	13.2		MN C3E 355	132S-4	71000	80000	289
4.65	10180	2.12	301	13.2		MN C3E 355	132S-4	71000	80000	289
4.88	9690	1.9	287	13.2		MN C3E 354	132S-4	71000	80000	276



技术参数

TECHNICAL DATA

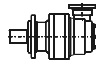
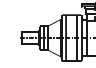
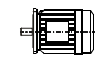
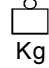
P ₁ = 5.5kW n ₁ = 1400rpm											
n ₂ rpm	M ₂ Nm	f _s	i	P _t KW				Fr ₂ MAX [N]		 Kg	
								C	S		
5.22	9060	2.8	268	15.8			MN C3E 428	132S-4	90000	97500	353
6.28	7690	2.5	223	22.4			MN C2E 428	132S-4	90000	97500	346
7.46	6480	3.15	188	22.4			MN C2E 428	132S-4	90000	97500	346
5.22	9060	2.36	268	13.2			MN C3E 355	132S-4	71000	80000	289
6.71	7040	2.36	209	13.2			MN C3E 355	132S-4	71000	80000	289
6.28	7690	1.8	223	19.8			MN C2E 355	132S-4	71000	80000	282
7.46	6480	2.36	188	19.8			MN C2E 355	132S-4	71000	80000	282
5.75	8220	1.9	243	12.5			MN C3E 354	132S-4	71000	80000	276
6.86	6890	1.9	204	12.5			MN C3E 354	132S-4	71000	80000	276
6.38	7570	1.5	219	18			MN C2E 354	132S-4	71000	80000	269
7.57	6380	2	185	18			MN C2E 354	132S-4	71000	80000	269
9.15	5280	2.65	153	18			MN C2E 354	132S-4	71000	80000	269
10.6	4550	3.15	132	18			MN C2E 354	132S-4	71000	80000	269
6.87	6880	1.4	204	10.6	MN C3E 353			132S-4	60000	67000	269
6.36	7600	1.12	220	15.2	MN C2E 353			132S-4	60000	67000	269
7.54	6400	1.5	186	15.2	MN C2E 353			132S-4	60000	67000	269
9.12	5300	1.9	154	15.2	MN C2E 353			132S-4	60000	67000	269
11.7	4130	2.65	120	15.2	MN C2E 353			132S-4	60000	67000	269
13.6	3560	3.15	103	15.2	MN C2E 353			132S-4	60000	67000	269
17	2840	3.55	82.3	15.2	MN C2E 353			132S-4	60000	67000	269
9.57	5050	1.4	146	12.5	MN C2E 280			132S-4	47500	53000	171
11	4160	1.8	127	12.5	MN C2E 280			132S-4	47500	53000	171
12.8	3770	2.12	109	12.5	MN C2E 280			132S-4	47500	53000	171
16.1	3010	2.5	87.1	12.5	MN C2E 280			132S-4	47500	53000	171
18.4	2630	2.36	76.1	12.5	MN C2E 280			132S-4	47500	53000	171
21.4	2260	3	65.6	12.5	MN C2E 280			132S-4	47500	53000	171
11.6	4370	1.18	121	10.2	MN C2E 241			132S-4	30000	35500	142
13.5	3590	1.4	104	10.2	MN C2E 241			132S-4	30000	35500	142
16.9	2860	1.7	83	10.2	MN C2E 241			132S-4	30000	35500	142
19.3	2500	1.8	72.5	10.2	MN C2E 241			132S-4	30000	35500	142
22.4	2150	2.24	62.4	10.2	MN C2E 241			132S-4	30000	35500	142
28.1	1720	2.8	49.8	10.2	MN C2E 241			132S-4	30000	35500	142
33.1	1460	2.8	42.3	10.2	MN C2E 241			132S-4	30000	35500	142
39	1240	2.8	35.9	10.2	MN C2E 241			132S-4	30000	35500	142
39.8	1260	1.7	35.2	15.5	MN CE 241			132S-4	30000	35500	162
48	1040	2.65	29.1	15.5	MN CE 241			132S-4	30000	35500	162
55.8	890	3.75	25.1	15.5	MN CE 241			132S-4	30000	35500	162
16.9	2860	1.06	83	9.1	MN C2E 240			132S-4	30000	35500	133
19.3	2500	1	72.5	9.1	MN C2E 240			132S-4	30000	35500	133
19.5	2480	1.25	62.4	9.1	MN C2E 240			132S-4	30000	35500	133
28.1	1720	1.7	49.8	9.1	MN C2E 240			132S-4	30000	35500	133
33.1	1460	1.8	42.3	9.1	MN C2E 240			132S-4	30000	35500	133
39	1240	1.8	35.9	9.1	MN C2E 240			132S-4	30000	35500	133
39.6	1260	1.06	35.3	11.2	MN CE 240			132S-4	30000	35500	126
47.9	1040	1.6	29.3	11.2	MN CE 240			132S-4	30000	35500	126
55.6	900	2.24	25.2	11.2	MN CE 240			132S-4	30000	35500	126
69.6	720	3.35	20.1	11.2	MN CE 240			132S-4	30000	35500	126



技术参数

TECHNICAL DATA

$P_1 = 5.5 \text{ kW}$ $n_1 = 1400 \text{ rpm}$

n ₂ rpm	M ₂ Nm	f _s	i	P _t KW				Fr _{2MAX} [N]		 Kg
								C	S	
82.1	610	3	17.1	11.2	MN CE 240		132S-4	30000	35500	142
92.5	540	3.35	15.1	11.2	MN CE 240		132S-4	30000	35500	142
55.6	900	1.5	25.2	8.5	MN CE 201		132S-4	19000	22400	110
69.6	720	2.12	20.1	8.5	MN CE 201		132S-4	19000	22400	110
92.5	540	2.24	15.1	8.5	MN CE 201		132S-4	19000	22400	110
116	431	3	12.1	8.5	MN CE 201		132S-4	19000	22400	110
137	365	2.8	10.3	8.5	MN CE 201		132S-4	19000	22400	110
47.9	1040	1.06	29.3	8.5	MN CE 201		132S-4	19000	22400	110
69.6	720	1.25	20.1	8.7	MN CE 200		132S-4	15000	18000	107
82.1	610	1.12	17.1	8.7	MN CE 200		132S-4	15000	18000	107
92.5	540	1.25	15.1	8.7	MN CE 200		132S-4	15000	18000	107
116	431	1.8	12.1	8.7	MN CE 200		132S-4	15000	18000	107
137	365	1.6	10.3	8.7	MN CE 200		132S-4	15000	18000	107

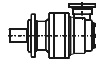
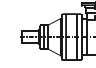
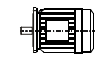

$P_1 = 7.5 \text{ kW}$ $n_1 = 1400 \text{ rpm}$

1.19	54150	1.9	1176	33.5		MN C3E 695	132M-4	250000	265000	1414
1.41	45630	2.8	991	33.5		MN C3E 695	132M-4	250000	265000	1414
1.41	45580	2.12	990	28.8		MN C3E 543	132M-4	180000	190000	791
1.81	35520	2.8	771	28.8		MN C3E 543	132M-4	180000	190000	791
1.54	41980	1.9	912	25.8		MN C3E 542	132M-4	150000	180000	700
1.88	34200	2.36	743	25.8		MN C3E 542	132M-4	150000	180000	700
2.24	28820	3.15	626	25.8		MN C3E 542	132M-4	150000	180000	700
2.81	22910	2.8	498	20.8		MN C3E 446	132M-4	125000	132000	485
3.27	19730	2.65	429	19.8		MN C3E 445	132M-4	112000	118000	427
4.09	15750	3.35	342	19.8		MN C3E 445	132M-4	112000	118000	427
3.83	16810	2.24	365	17.8		MN C3E 429	132M-4	100000	106000	374
4.93	13080	2.8	284	17.8		MN C3E 429	132M-4	100000	106000	374
6.33	10190	3.55	221	17.8		MN C3E 429	132M-4	100000	106000	374
7.42	8880	2.8	189	26.5		MN C2E 429	132M-4	100000	106000	363
4.65	13880	2.12	301	15.8		MN C3E 428	132M-4	90000	97500	353
5.22	12350	2	268	15.8		MN C3E 428	132M-4	90000	97500	353
6.71	9610	2.24	209	15.8		MN C3E 428	132M-4	90000	97500	353
6.28	10490	1.9	223	22.4		MN C2E 428	132M-4	90000	97500	346
7.46	8840	2.24	188	22.4		MN C2E 428	132M-4	90000	97500	346
9.15	7200	3.15	153	22.4		MN C2E 428	132M-4	90000	97500	346
4.65	13880	1.6	301	13.2		MN C3E 355	132M-4	71000	80000	289
5.22	12350	1.8	268	13.2		MN C3E 355	132M-4	71000	80000	289
6.71	9610	1.8	209	13.2		MN C3E 355	132M-4	71000	80000	289
6.28	10490	1.32	223	19.8		MN C2E 355	132M-4	71000	80000	282
7.46	8840	1.7	188	19.8		MN C2E 355	132M-4	71000	80000	282
9.15	7200	2.36	153	19.8		MN C2E 355	132M-4	71000	80000	282
11.7	5610	3.15	119	19.8		MN C2E 355	132M-4	71000	80000	282
5.75	11210	1.4	243	12.5		MN C3E 354	132M-4	71000	80000	276
9.12	7230	1.9	153	18		MN C2E 354	132M-4	71000	80000	269
10.6	6200	2.24	132	18		MN C2E 354	132M-4	71000	80000	269
13.6	4830	2.8	103	18		MN C2E 354	132M-4	71000	80000	269



技术参数

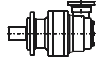
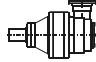
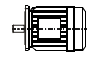
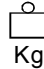
TECHNICAL DATA

$P_1=7.5kW$ $n_1=1400rpm$										
n_2 rpm	M_2 Nm	f_s	i	P_t KW				Fr_{2MAX} [N]		 Kg
								C	S	
17.1	3860	4	82	18						
19.5	3380	3.35	71.9	18		MN C2E 354	132M-4	71000	80000	269
4.38	14730	0.9	320	10.6	MN C3E 353		132M-4	60000	67000	233
11.7	5630	1.9	120	15.2	MN C2E 353		132M-4	60000	67000	222
13.6	4850	2.36	103	15.2	MN C2E 353		132M-4	60000	67000	222
17	3870	2.65	82.3	15.2	MN C2E 353		132M-4	60000	67000	222
19.5	3380	2.65	71.9	15.2	MN C2E 353		132M-4	60000	67000	222
22.6	2910	3.35	61.9	15.2	MN C2E 353		132M-4	60000	67000	222
28.3	2330	4	49.4	15.2	MN C2E 353		132M-4	60000	67000	222
33.4	1970	4.25	41.9	15.2	MN C2E 353		132M-4	60000	67000	222
39.8	1650	4.25	35.1	15.2	MN C2E 353		132M-4	60000	67000	222
16.1	4100	1.9	87.1	12.5	MN C2E 280		132M-4	47500	53000	171
18.4	3580	1.8	76.1	12.5	MN C2E 280		132M-4	47500	53000	171
21.4	3090	2.12	65.6	12.5	MN C2E 280		132M-4	47500	53000	171
26.7	2460	2.65	52.3	12.5	MN C2E 280		132M-4	47500	53000	171
31.5	2090	2.8	44.4	12.5	MN C2E 280		132M-4	47500	53000	171
35.4	1860	2.5	39.5	12.5	MN C2E 280		132M-4	47500	53000	171
48	1420	3.15	29.1	17.5	MN CE 280		132M-4	47500	53000	188
11.6	5680	0.9	121	10.2	MN C2E 241		132M-4	30000	35500	142
16.9	3900	1.25	83	10.2	MN C2E 241		132M-4	30000	35500	142
19.3	3410	1.32	72.5	10.2	MN C2E 241		132M-4	30000	35500	142
22.4	2940	1.6	62.4	10.2	MN C2E 241		132M-4	30000	35500	142
28.1	2350	2	49.8	10.2	MN C2E 241		132M-4	30000	35500	142
33.1	1990	2	42.3	10.2	MN C2E 241		132M-4	30000	35500	142
39	1690	2	35.9	10.2	MN C2E 241		132M-4	30000	35500	142
39.8	1710	1.25	35.2	15.5	MN CE 241		132M-4	30000	35500	162
48	1420	1.9	29.1	15.5	MN CE 241		132M-4	30000	35500	162
55.6	1220	2.8	25.1	15.5	MN CE 241		132M-4	30000	35500	162
69.9	970	4	20	15.5	MN CE 241		132M-4	30000	35500	162
82.4	830	3.75	17	15.5	MN CE 241		132M-4	30000	35500	162
89.8	760	4.25	15.6	15.5	MN CE 241		132M-4	30000	35500	162
22.4	2940	0.9	62.4	9.1	MN C2E 240		132M-4	30000	35500	101
28.1	2350	1.25	49.8	9.1	MN C2E 240		132M-4	30000	35500	101
33.1	1990	1.32	42.3	9.1	MN C2E 240		132M-4	30000	35500	101
39	1690	1.32	35.9	9.1	MN C2E 240		132M-4	30000	35500	101
47.9	1420	1.18	29.3	11.2	MN CE 240		132M-4	30000	35500	126
69.6	980	2.36	20.1	11.2	MN CE 240		132M-4	30000	35500	126
82.1	830	2.24	17.1	11.2	MN CE 240		132M-4	30000	35500	126
92.5	740	2.5	15.1	11.2	MN CE 240		132M-4	30000	35500	126
116	590	3	12.1	11.2	MN CE 240		132M-4	30000	35500	126
137	498	3.15	10.3	11.2	MN CE 240		132M-4	30000	35500	126



技术参数

TECHNICAL DATA

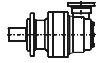
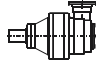
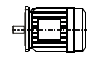
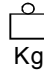
P₁ = 7.5 kW n₁ = 1400 rpm										
n ₂ rpm	M ₂ Nm	f _s	i	P _t KW				Fr _{2MAX} [N]		 Kg
								C	S	
55.6	1220	1.12	25.2	8.5	MN CE 201		132M-4	19000	22400	110
69.6	980	1.5	20.1	8.5	MN CE 201		132M-4	19000	22400	110
82.1	830	1.5	17.1	8.5	MN CE 201		132M-4	19000	22400	110
92.5	740	1.6	15.1	8.5	MN CE 201		132M-4	19000	22400	110
116	590	2.12	12.1	8.5	MN CE 201		132M-4	19000	22400	110
137	498	2	10.3	8.5	MN CE 201		132M-4	19000	22400	110
69.6	980	0.9	20.1	8.7	MN CE 200		132M-4	15000	18000	107
92.5	740	0.9	15.1	8.7	MN CE 200		132M-4	15000	18000	107
116	590	1.32	12.1	8.7	MN CE 200		132M-4	15000	18000	107
137	498	1.18	10.3	8.7	MN CE 200		132M-4	15000	18000	107

P₁ = 11 kW n₁ = 1400 rpm										
1.19	79430	1.6	1176	35.5		MN C3E 696	160M-4	250000	265000	1451
1.41	66920	2.36	991	35.5		MN C3E 696	160M-4	250000	265000	1451
1.19	79430	1.32	1176	33.5		MN C3E 695	160M-4	250000	265000	1363
1.41	66920	1.9	991	33.5		MN C3E 695	160M-4	250000	265000	1363
1.81	52150	2.65	772	33.5		MN C3E 695	160M-4	250000	265000	1363
2.15	43890	2.65	650	28.8		MN C3E 543	160M-4	180000	190000	828
2.24	42270	2.12	626	25.8		MN C3E 542	160M-4	180000	190000	828
2.68	35220	2.65	522	25.8		MN C3E 542	160M-4	180000	190000	828
3.44	27450	3.15	406	25.8		MN C3E 542	160M-4	180000	190000	828
4.88	19360	2.65	287	19.8		MN C3E 445	160M-4	112000	118000	509
2.24	42270	0.95	626	17.8		MN C3E 429	160M-4	100000	106000	411
3.25	29060	1.32	430	17.8		MN C3E 429	160M-4	100000	106000	411
3.83	24660	1.5	365	17.8		MN C3E 429	160M-4	100000	106000	411
4.93	19180	1.9	284	17.8		MN C3E 429	160M-4	100000	106000	411
6.33	14940	2.5	221	17.8		MN C3E 429	160M-4	100000	106000	411
7.55	12520	2.5	185	17.8		MN C3E 429	160M-4	100000	106000	411
7.42	13020	2	189	26.5		MN C2E 429	160M-4	100000	106000	400
8.81	10907	3	159	19.8		MN C2E 429	160M-4	100000	106000	400
10.5	9240	3.35	134	19.8		MN C2E 429	160M-4	100000	106000	400
6.28	15380	1.25	223	22.4		MN C2E 428	160M-4	90000	97500	383
7.46	12960	1.6	188	22.4		MN C2E 428	160M-4	90000	97500	383
9.15	10560	2.12	153	22.4		MN C2E 428	160M-4	90000	97500	383
11	8800	2.65	128	22.4		MN C2E 428	160M-4	90000	97500	383
14.1	6860	3.15	99.4	22.4		MN C2E 428	160M-4	90000	97500	383
6.28	15380	0.9	223	19.8		MN C2E 355	160M-4	71000	80000	289
7.46	12960	1.18	188	19.8		MN C2E 355	160M-4	71000	80000	289



技术参数

TECHNICAL DATA

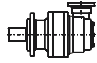
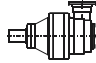
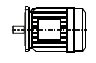
P ₁ = 11 kW n ₁ = 1400 rpm										
n ₂ rpm	M ₂ Nm	f _s	i	Pt KW				Fr ₂ MAX [N]		 Kg
								C	S	
9.15	10560	1.6	153	19.8			MN C2E 355 160M-4	71000	80000	319
11.7	8230	2.12	119	19.8			MN C2E 355 160M-4	71000	80000	319
14.1	6860	2.5	99.4	19.8			MN C2E 355 160M-4	71000	80000	319
17.1	5660	3.15	86.1	19.8			MN C2E 355 160M-4	71000	80000	319
19.5	4960	2.8	71.9	19.8			MN C2E 355 160M-4	71000	80000	319
10.6	9100	1.5	132	18			MN C2E 354 160M-4	71000	80000	306
13.6	7090	1.9	103	18			MN C2E 354 160M-4	71000	80000	306
19.5	4960	2.24	71.9	18			MN C2E 354 160M-4	71000	80000	306
22.6	4270	2.8	61.9	18			MN C2E 354 160M-4	71000	80000	306
28.3	3410	3.75	49.4	18			MN C2E 354 160M-4	71000	80000	306
33.4	2890	3.35	41.9	18			MN C2E 354 160M-4	71000	80000	306
39.8	2430	3.35	35.1	18			MN C2E 354 160M-4	71000	80000	306
46.3	2160	3	30.3	21.2	MN CE 353		160M-4	60000	67000	271
48	2080	2.12	29.1	17.5	MN CE 280		160M-4	47500	53000	225
57.6	1730	3.15	24.3	17.5	MN CE 280		160M-4	47500	53000	225
66.5	1500	3.55	21	17.5	MN CE 280		160M-4	47500	53000	225
74.7	1340	3.35	18.7	17.5	MN CE 280		160M-4	47500	53000	225
48	2080	1.32	29.1	15.5	MN CE 241		160M-4	30000	35500	199
55.8	1790	1.9	25.1	15.5	MN CE 241		160M-4	30000	35500	199
69.9	1430	2.65	20	15.5	MN CE 241		160M-4	30000	35500	199
82.4	1210	2.5	17	15.5	MN CE 241		160M-4	30000	35500	199
89.8	1110	2.8	15.6	15.5	MN CE 241		160M-4	30000	35500	199
106	940	3	13.2	15.5	MN CE 241		160M-4	30000	35500	199
137	730	3.35	10.3	15.5	MN CE 241		160M-4	30000	35500	199

P ₁ = 15 kW n ₁ = 1400 rpm										
1.19	108300	1.18	1176	35.5			MN C3E 696 160L-4	250000	265000	1451
1.41	91260	1.7	991	35.5			MN C3E 696 160L-4	250000	265000	1451
1.81	71110	2.24	772	35.5			MN C3E 696 160L-4	250000	265000	1451
1.81	71110	1.9	772	33.5			MN C3E 695 160L-4	250000	265000	1363
1.41	91260	1.4	991	33.5			MN C3E 695 160L-4	250000	265000	1363
2.13	60580	2.5	658	33.5			MN C3E 695 160L-4	250000	265000	1363
2.7	47760	3	519	33.5			MN C3E 695 160L-4	250000	265000	1363
3.28	39300	2.8	427	28.8			MN C3E 543 160L-4	180000	190000	828
3.44	37430	2.36	406	25.8			MN C3E 542 160L-4	150000	160000	737
3.97	32440	2.65	352	25.8			MN C3E 542 160L-4	150000	160000	737
4.74	27190	2.8	295	25.8			MN C3E 542 160L-4	150000	160000	737
5.74	22460	3.35	244	25.8			MN C3E 542 160L-4	150000	160000	737
6.85	18820	3.55	204	25.8			MN C3E 542 160L-4	150000	160000	737



技术参数

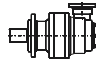
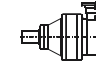
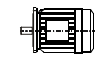

TECHNICAL DATA

P₁=15kW n₁=1400rpm										
n ₂ rpm	M ₂ Nm	f _s	i	Pt KW				Fr ₂ MAX [N]		Kg
								C	S	
7.4	17820	3	189	40.8		MN C2E 542	160L-4	150000	160000	795
4.65	27740	2.24	301	20.8		MN C3E 446	160L-4	125000	132000	522
5.63	22910	2.65	249	20.8		MN C3E 446	160L-4	125000	132000	522
6.71	19200	2.36	209	20.8		MN C3E 446	160L-4	125000	132000	522
7.42	17770	2.12	189	31.5		MN C2E 446	160L-4	125000	132000	579
8.71	15140	3	161	31.5		MN C2E 446	160L-4	125000	132000	579
4.88	26400	2	287	19.8		MN C3E 445	160L-4	112000	118000	509
6.2	20790	2.36	226	19.8		MN C3E 445	160L-4	112000	118000	509
7.4	17420	2.24	189	19.8		MN C3E 445	160L-4	112000	118000	509
7.44	17700	1.8	188	28.5		MN C2E 445	160L-4	112000	118000	490
8.74	15080	2.65	160	28.5		MN C2E 445	160L-4	112000	118000	490
11.1	11890	3	126	28.5		MN C2E 445	160L-4	112000	118000	490
7.55	17080	1.8	185	17.8		MN C3E 429	160L-4	100000	106000	411
7.42	17750	1.4	189	26.5		MN C2E 429	160L-4	100000	106000	400
8.81	14960	2.12	159	26.5		MN C2E 429	160L-4	100000	106000	400
10.5	12600	2.5	134	26.5		MN C2E 429	160L-4	100000	106000	400
13.4	9820	3.15	104	26.5		MN C2E 429	160L-4	100000	106000	400
17.2	7650	3.75	81.3	26.5		MN C2E 429	160L-4	100000	106000	400
18.8	7030	3.15	74.6	26.5		MN C2E 429	160L-4	100000	106000	400
6.28	20980	0.95	223	22.4		MN C2E 428	160L-4	90000	97500	383
9.15	14400	1.6	153	22.4		MN C2E 428	160L-4	90000	97500	383
11	12000	1.9	128	22.4		MN C2E 428	160L-4	90000	97500	383
14.1	9350	2.36	99.4	22.4		MN C2E 428	160L-4	90000	97500	383
16.3	8110	3	86.1	22.4		MN C2E 428	160L-4	90000	97500	383
19.5	6770	2.65	71.9	22.4		MN C2E 428	160L-4	90000	97500	383
11.7	11220	1.6	119	19.8		MN C2E 355	160L-4	71000	80000	319
14.1	9350	1.9	99.4	19.8		MN C2E 355	160L-4	71000	80000	319
16.3	8110	2.36	86.1	19.8		MN C2E 355	160L-4	71000	80000	319
19.5	6770	2.12	71.9	19.8		MN C2E 355	160L-4	71000	80000	319
23.4	5640	3	59.9	19.8		MN C2E 355	160L-4	71000	80000	319
27	4890	3.35	51.9	19.8		MN C2E 355	160L-4	71000	80000	319
30.3	4350	3	46.2	19.8		MN C2E 355	160L-4	71000	80000	319
36.1	3650	3	38.7	19.8		MN C2E 355	160L-4	71000	80000	319
10.6	12400	1.12	132	18		MN C2E 354	160L-4	71000	80000	306
13.6	9700	1.4	103	18		MN C2E 354	160L-4	71000	80000	306
17.1	7720	2	82	18		MN C2E 354	160L-4	71000	80000	306
19.5	6770	1.6	71.9	18		MN C2E 354	160L-4	71000	80000	306
22.6	5830	2	61.9	18		MN C2E 354	160L-4	71000	80000	306
28.3	4650	2.8	49.4	18		MN C2E 354	160L-4	71000	80000	306
33.4	3950	2.5	41.9	18		MN C2E 354	160L-4	71000	80000	306
39.8	3310	2.5	35.1	18		MN C2E 354	160L-4	71000	80000	306
46.3	2940	3	30.3	23.6		MN CE 354	160L-4	71000	80000	287



技术参数

TECHNICAL DATA


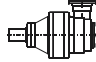
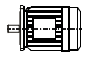
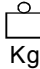
P ₁ =15kW n ₁ =1400rpm										
n ₂ rpm	M ₂ Nm	f _s	i	P _t KW				Fr ₂ MAX [N]		 Kg
								C	S	
17	7740	1.32	82.3	15.2	MN C2E 353		160L-4	60000	67000	252
19.5	6770	1.32	71.9	15.2	MN C2E 353		160L-4	60000	67000	252
22.6	5830	1.7	61.9	15.2	MN C2E 353		160L-4	60000	67000	252
28.3	4650	2	49.4	15.2	MN C2E 353		160L-4	60000	67000	252
33.4	3950	2.12	41.9	15.2	MN C2E 353		160L-4	60000	67000	252
39.8	3310	2.12	35.1	15.2	MN C2E 353		160L-4	60000	67000	252
46.3	2940	2.12	30.3	21.2	MN CE 353		160L-4	60000	67000	271
54.9	2480	3.15	25.5	21.2	MN CE 353		160L-4	60000	67000	271
70.5	1930	3.75	19.9	21.2	MN CE 353		160L-4	60000	67000	271
84.1	1620	3.75	16.7	21.2	MN CE 353		160L-4	60000	67000	271
48	2830	1.6	29.1	17.5	MN CE 280		160L-4	47500	53000	225
57.6	2360	2.36	24.3	17.5	MN CE 280		160L-4	47500	53000	225
66.5	2050	2.65	21	17.5	MN CE 280		160L-4	47500	53000	225
74.7	1820	2.36	18.7	17.5	MN CE 280		160L-4	47500	53000	225
85.5	1590	3.15	16.4	17.5	MN CE 280		160L-4	47500	53000	225
96.1	1420	3.15	14.6	17.5	MN CE 280		160L-4	47500	53000	225
124	1100	3.75	11.3	17.5	MN CE 280		160L-4	47500	53000	225
48	2830	0.95	29.1	15.5	MN CE 241		160L-4	30000	35500	199
55.8	2440	1.4	25.1	15.5	MN CE 241		160L-4	30000	35500	199
69.9	1950	2	20	15.5	MN CE 241		160L-4	30000	35500	199
82.4	1650	1.8	17	15.5	MN CE 241		160L-4	30000	35500	199
89.8	1510	2.12	15.6	15.5	MN CE 241		160L-4	30000	35500	199
106	1290	2.12	13.2	15.5	MN CE 241		160L-4	30000	35500	199
137	1000	2.5	10.3	15.5	MN CE 241		160L-4	30000	35500	199
69.6	1950	1.18	20.1	11.2	MN CE 240		160L-4	30000	35500	156
82.1	1660	1.12	17.1	11.2	MN CE 240		160L-4	30000	35500	156
92.5	1470	1.25	15.1	11.2	MN CE 240		160L-4	30000	35500	156
116	1170	1.5	12.1	11.2	MN CE 240		160L-4	30000	35500	156
137	1000	1.5	10.3	11.2	MN CE 240		160L-4	30000	35500	156

P ₁ =18.5kW n ₁ =1400rpm										
1.81	87700	1.8	772	35.5	MN C3E 696		180M-4	250000	265000	1505
2.13	74720	2.36	658	35.5	MN C3E 696		180M-4	250000	265000	1505
2.7	58910	3	519	35.5	MN C3E 696		180M-4	250000	265000	1505
1.81	87700	1.5	772	33.5	MN C3E 695		180M-4	250000	265000	1417
2.13	74720	2	658	33.5	MN C3E 695		180M-4	250000	265000	1417
2.7	58910	2.36	519	33.5	MN C3E 695		180M-4	250000	265000	1417
3.2	49630	3	437	33.5	MN C3E 695		180M-4	250000	265000	1417
4.21	37770	2.8	333	28.8	MN C3E 543		180M-4	180000	190000	882
5.02	31650	3	279	28.8	MN C3E 543		180M-4	180000	190000	882
4.74	33530	2.36	295	25.8	MN C3E 542		180M-4	180000	190000	791
5.74	27700	2.8	244	25.8	MN C3E 542		180M-4	180000	190000	791



技术参数

TECHNICAL DATA

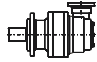
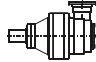
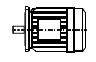
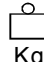
$P_1=18.5kW$ $n_1=1400rpm$										
n_2 rpm	M_2 Nm	f_s	i	P_t KW				Fr_{2MAX} [N]		 Kg
								C	S	
6.85	23210	2.8	204	25.8		MN C3E 542	180M-4	180000	190000	791
8.17	19450	2.8	171	25.8		MN C3E 542	180M-4	180000	190000	791
7.4	21970	2.5	189	40.8		MN C2E 542	180M-4	180000	190000	849
8.78	18510	3.55	159	40.8		MN C2E 542	180M-4	180000	190000	849
5.63	28260	2.12	249	20.8		MN C3E 446	180M-4	125000	132000	576
6.71	23680	2	209	20.8		MN C3E 446	180M-4	125000	132000	576
4.65	34210	1.8	301	20.8		MN C3E 446	180M-4	125000	132000	576
7.42	21920	1.7	189	31.5		MN C2E 446	180M-4	125000	132000	633
8.71	18670	2.36	161	31.5		MN C2E 446	180M-4	125000	132000	633
11	14720	3	127	31.5		MN C2E 446	180M-4	125000	132000	633
4.88	32560	1.6	287	19.8		MN C3E 445	180M-4	112000	118000	541
6.2	25640	1.9	226	19.8		MN C3E 445	180M-4	112000	118000	541
7.4	21490	1.8	189	19.8		MN C3E 445	180M-4	112000	118000	541
7.44	21830	1.5	188	28.5		MN C2E 445	180M-4	112000	118000	544
8.74	18600	2.12	160	28.5		MN C2E 445	180M-4	112000	118000	544
11.1	14670	2.5	126	28.5		MN C2E 445	180M-4	112000	118000	544
13.3	12190	3	105	28.5		MN C2E 445	180M-4	112000	118000	544
16.9	9610	4.25	82.8	28.5		MN C2E 445	180M-4	112000	118000	544
18.4	8840	3.75	76.2	28.5		MN C2E 445	180M-4	112000	118000	544
8.81	18450	1.7	159	26.5		MN C2E 429	180M-4	100000	106000	454
10.5	15540	2	134	26.5		MN C2E 429	180M-4	100000	106000	454
13.4	12110	2.5	104	26.5		MN C2E 429	180M-4	100000	106000	454
17.2	9440	3.15	81.3	26.5		MN C2E 429	180M-4	100000	106000	454
18.8	8670	2.65	74.6	26.5		MN C2E 429	180M-4	100000	106000	454
11	14800	1.6	128	22.4		MN C2E 428	180M-4	90000	97500	437
14.1	11530	1.9	99.4	22.4		MN C2E 428	180M-4	90000	97500	437
16.3	10000	2.36	86.1	22.4		MN C2E 428	180M-4	90000	97500	437
19.5	8350	2.24	71.9	22.4		MN C2E 428	180M-4	90000	97500	437
23.4	6950	2.8	59.9	22.4		MN C2E 428	180M-4	90000	97500	437
27	6030	3.35	51.9	22.4		MN C2E 428	180M-4	90000	97500	437
30.3	5370	3	46.2	22.4		MN C2E 428	180M-4	90000	97500	437
36.1	4500	3	38.7	22.4		MN C2E 428	180M-4	90000	97500	437
11.7	13840	1.25	119	19.8		MN C2E 355	180M-4	71000	80000	373
14.1	11530	1.5	99.4	19.8		MN C2E 355	180M-4	71000	80000	373
16.3	10000	1.9	86.1	19.8		MN C2E 355	180M-4	71000	80000	373
19.5	8350	1.7	71.9	19.8		MN C2E 355	180M-4	71000	80000	373
23.4	6950	2.36	59.9	19.8		MN C2E 355	180M-4	71000	80000	373
27	6030	2.65	51.9	19.8		MN C2E 355	180M-4	71000	80000	373
30.3	5370	2.36	46.2	19.8		MN C2E 355	180M-4	71000	80000	373
36.1	4500	2.36	38.7	19.8		MN C2E 355	180M-4	71000	80000	373
46.1	3640	3	30.4	30		MN CE 355	180M-4	71000	80000	430
17.1	9520	1.6	82	18		MN C2E 354	180M-4	71000	80000	338
19.5	8350	1.32	71.9	18		MN C2E 354	180M-4	71000	80000	338
22.6	7190	1.6	61.9	18		MN C2E 354	180M-4	71000	80000	338



技术参数

TECHNICAL DATA

$P_1=18.5kW$ $n_1=1400rpm$

n ₂ rpm	M ₂ Nm	f _s	i	Pt KW				Fr _{2MAX} [N]		 Kg
								C	S	
28.3	5740	2.24	49.4	18		MN C2E 354	180M-4	71000	80000	338
33.4	4870	2	41.9	18		MN C2E 354	180M-4	71000	80000	338
39.8	4080	2	35.1	18		MN C2E 354	180M-4	71000	80000	338
54.9	3060	3.15	25.5	23.6		MN CE 354	180M-4	71000	80000	341
46.3	3630	2.5	30.3	23.6		MN CE 354	180M-4	71000	80000	341
46.3	3630	1.7	30.3	21.2	MN CE 353		180M-4	60000	67000	325
54.9	3060	2.5	25.5	21.2	MN CE 353		180M-4	60000	67000	325
70.5	2380	3.15	19.9	21.2	MN CE 353		180M-4	60000	67000	325
84.1	2000	3.15	16.7	21.2	MN CE 353		180M-4	60000	67000	325
90.6	1850	4	15.5	21.2	MN CE 353		180M-4	60000	67000	325
117	1440	4.75	12	21.2	MN CE 353		180M-4	60000	67000	325
48	3490	1.25	29.1	17.5	MN CE 280		180M-4	47500	53000	279
57.6	2910	1.9	24.3	17.5	MN CE 280		180M-4	47500	53000	279
66.5	2520	2.12	21	17.5	MN CE 280		180M-4	47500	53000	279
74.7	2250	2	18.7	17.5	MN CE 280		180M-4	47500	53000	279
85.5	1960	2.5	16.4	17.5	MN CE 280		180M-4	47500	53000	279
96.1	1750	2.65	14.6	17.5	MN CE 280		180M-4	47500	53000	279
124	1350	3	11.3	17.5	MN CE 280		180M-4	47500	53000	279
55.8	3010	1.12	25.1	15.5	MN CE 241		180M-4	30000	35500	253
69.9	2400	1.6	20	15.5	MN CE 241		180M-4	30000	35500	253
82.4	2040	1.5	17	15.5	MN CE 241		180M-4	30000	35500	253
89.8	1870	1.7	15.6	15.5	MN CE 241		180M-4	30000	35500	253
106	1590	1.7	13.2	15.5	MN CE 241		180M-4	30000	35500	253
137	1230	2	10.3	15.5	MN CE 241		180M-4	30000	35500	253

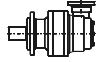
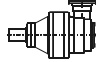
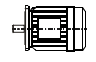
$P_1=22kW$ $n_1=1400rpm$

1.81	104300	1.5	772	35.5		MN C3E 696	180L-4	250000	265000	1505
2.13	88850	2	658	35.5		MN C3E 696	180L-4	250000	265000	1505
2.7	70050	2.5	519	35.5		MN C3E 696	180L-4	250000	265000	1505
2.13	88850	1.7	658	33.5		MN C3E 695	180L-4	250000	265000	1417
2.7	70050	2	519	33.5		MN C3E 695	180L-4	250000	265000	1417
3.2	59030	2.5	437	33.5		MN C3E 695	180L-4	250000	265000	1417
4.11	45990	3.15	341	33.5		MN C3E 695	180L-4	250000	265000	1417
4.21	44910	2.24	333	28.8		MN C3E 543	180L-4	180000	190000	882
5.02	37640	2.65	279	28.8		MN C3E 543	180L-4	180000	190000	882
5.41	34930	2.8	259	28.8		MN C3E 543	180L-4	180000	190000	882
6.46	29280	3	217	28.8		MN C3E 543	180L-4	180000	190000	882
7.71	24540	3	182	28.8		MN C3E 543	180L-4	180000	190000	882
7.4	26130	2.5	189	42.5		MN C2E 543	180L-4	180000	190000	923
4.74	39870	2	295	25.8		MN C3E 542	180L-4	150000	160000	791
5.74	32940	2.24	244	25.8		MN C3E 542	180L-4	150000	160000	791
6.85	27600	2.36	204	25.8		MN C3E 542	180L-4	150000	160000	791
8.17	23130	2.36	171	25.8		MN C3E 542	180L-4	150000	160000	791



技术参数

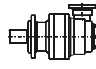
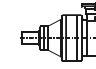
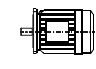

TECHNICAL DATA

P ₁ = 22kW n ₁ = 1400rpm										
n ₂ rpm	M ₂ Nm	f _s	i	Pt KW				Fr ₂ MAX [N]		Kg
								C	S	
7.4	26130	2	189	40.8						
8.78	22020	3	159	40.8						
11.3	17160	3.35	124	40.8						
6.71	28160	1.6	209	40.8						
7.42	26060	1.4	189	31.5						
8.71	22200	2	161	31.5						
11	17500	2.5	127	31.5						
8.74	22120	1.8	160	28.5						
11.1	17440	2.12	126	28.5						
13.3	14500	2.5	105	28.5						
18.4	10520	3.15	76.2	28.5						
16.9	11430	3.55	82.8	28.5						
10.5	18480	1.7	134	26.5						
13.4	14400	2.12	104	26.5						
17.2	11220	2.65	81.3	26.5						
18.8	10310	2.24	74.6	26.5						
22.3	8680	3.15	62.9	26.5						
28.6	6770	4.25	49	26.5						
34.1	5670	4	41.1	26.5						
40.7	4750	4	34.4	26.5						
14.1	13720	1.6	99.4	22.4						
16.3	11890	2	86.1	22.4						
19.5	9920	1.8	71.9	22.4						
23.4	8270	2.36	59.9	22.4						
27	7170	2.8	51.9	22.4						
30.3	6380	2.5	46.2	22.4						
36.1	5350	2.5	38.7	22.4						
46.1	4330	3.35	30.4	35.5						
16.3	11890	1.6	86.1	19.8						
19.5	9920	1.4	71.9	19.8						
23.4	8270	2	59.9	19.8						
27	7170	2.24	51.9	19.8						
30.3	6380	2	46.2	19.8						
36.1	5350	2	38.7	19.8						
46.1	4330	2.5	30.4	30						
46.3	4310	2.12	30.3	23.6						
54.9	3640	2.65	25.5	23.6						
59.5	3360	2.5	23.5	23.6						
70.6	2830	2.8	19.8	23.6						
46.3	4310	1.5	30.3	21.2						
54.9	3640	2.12	25.5	21.2						
70.5	2830	2.65	19.9	21.2						
84.1	2370	2.65	16.7	21.2						



技术参数

TECHNICAL DATA

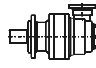
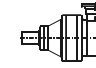
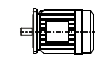
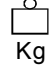
P₁=22kW n₁=1400rpm										
n ₂ rpm	M ₂ Nm	f _s	i	P _t KW				Fr ₂ MAX [N]		 Kg
								C	S	
90.6	2200	3.35	15.5	21.2	MN CE 353		180L-4	60000	67000	325
117	1710	4	12	21.2	MN CE 353		180L-4	60000	67000	325
139	1430	4	10	21.2	MN CE 353		180L-4	60000	67000	325
48	4150	1.06	29.1	17.5	MN CE 280		180L-4	47500	53000	279
57.6	3460	1.6	24.3	17.5	MN CE 280		180L-4	47500	53000	279
66.5	3000	1.8	21	17.5	MN CE 280		180L-4	47500	53000	279
74.7	2670	1.6	18.7	17.5	MN CE 280		180L-4	47500	53000	279
85.5	2330	2.12	16.4	17.5	MN CE 280		180L-4	47500	53000	279
96.1	2080	2.12	14.6	17.5	MN CE 280		180L-4	47500	53000	279
124	1610	2.5	11.3	17.5	MN CE 280		180L-4	47500	53000	279
P₁=30kW n₁=1400rpm										
2.7	95530	1.8	519	35.5		MN C3E 696	200L-4	250000	265000	1538
3.2	80490	2.24	437	35.5		MN C3E 696	200L-4	250000	265000	1538
4.11	62720	2.8	341	35.5		MN C3E 696	200L-4	250000	265000	1538
2.7	95530	1.5	519	33.5		MN C3E 695	200L-4	250000	265000	1450
3.2	80490	1.8	437	33.5		MN C3E 695	200L-4	250000	265000	1450
4.11	62720	2.24	341	33.5		MN C3E 695	200L-4	250000	265000	1450
4.91	52560	2.65	285	33.5		MN C3E 695	200L-4	250000	265000	1450
5.4	47790	2.65	259	33.5		MN C3E 695	200L-4	250000	265000	1450
6.84	37680	3.35	205	33.5		MN C3E 695	200L-4	250000	265000	1450
8.71	29620	3.75	161	33.5		MN C3E 695	200L-4	250000	265000	1450
10.4	24820	3.55	135	33.5		MN C3E 695	200L-4	250000	265000	1450
5.02	51330	1.9	279	28		MN C3E 543	200L-4	180000	190000	915
6.46	39920	2.24	217	28		MN C3E 543	200L-4	180000	190000	915
7.71	33460	2.24	182	28		MN C3E 543	200L-4	180000	190000	915
7.4	35630	1.8	189	42.5		MN C2E 543	200L-4	180000	190000	955
8.78	30020	2.65	159	42.5		MN C2E 543	200L-4	180000	190000	955
11.3	23390	3.35	124	42.5		MN C2E 543	200L-4	180000	190000	955
7.4	35630	1.5	189	31.5		MN C2E 542	200L-4	150000	160000	882
8.78	30020	2.12	159	31.5		MN C2E 542	200L-4	150000	160000	882
11.3	23390	2.5	124	31.5		MN C2E 542	200L-4	150000	160000	882
13.4	19710	3.75	105	31.5		MN C2E 542	200L-4	150000	160000	882
8.71	30280	1.5	161	31.5		MN C2E 446	200L-4	125000	132000	666
11	23870	1.8	127	31.5		MN C2E 446	200L-4	125000	132000	666
13.1	20110	2.65	107	31.5		MN C2E 446	200L-4	125000	132000	666
8.74	30160	1.32	160	28		MN C2E 445	200L-4	112000	118000	577
11.1	23780	1.5	126	28		MN C2E 445	200L-4	112000	118000	577
13.3	19770	1.9	105	28		MN C2E 445	200L-4	112000	118000	577
10.5	25200	1.25	134	26.5		MN C2E 429	200L-4	100000	106000	487
13.4	19640	1.6	104	26.5		MN C2E 429	200L-4	100000	106000	487



技术参数

TECHNICAL DATA

 $P_1=30kW$ $n_1=1400rpm$

n ₂ rpm	M ₂ Nm	f _s	i	Pt KW				Fr _{2MAX} [N]		 Kg
								C	S	
16.8	15670	3.35	83.2	31.5	MN C2E 446		200L-4	125000	132000	666
18.4	14340	2.8	76.2	31.5	MN C2E 446		200L-4	125000	132000	666
16.9	15590	2.65	82.8	28	MN C2E 445		200L-4	112000	118000	577
18.4	14340	2.24	76.2	28	MN C2E 445		200L-4	112000	118000	577
21.8	12080	3.15	64.2	28	MN C2E 445		200L-4	112000	118000	577
17.2	15300	1.9	81.3	26.5	MN C2E 429		200L-4	100000	106000	487
18.8	14050	1.6	74.6	26.5	MN C2E 429		200L-4	100000	106000	487
22.3	11840	2.36	62.9	26.5	MN C2E 429		200L-4	100000	106000	487
28.6	9230	3	49	26.5	MN C2E 429		200L-4	100000	106000	487
34.1	7730	3	41.1	26.5	MN C2E 429		200L-4	100000	106000	487
40.7	6480	3	34.4	26.5	MN C2E 429		200L-4	100000	106000	487
46.1	5910	3.35	30.4	26.5	MN CE 429		200L-4	100000	106000	528
46.1	5910	2.5	30.4	35.5	MN CE 428		200L-4	90000	97500	528
54.7	4980	3.75	25.6	35.5	MN CE 428		200L-4	90000	97500	528
46.1	5910	1.8	30.4	30	MN CE 355		200L-4	71000	80000	463
54.7	4980	2.65	25.6	30	MN CE 355		200L-4	71000	80000	463
70.2	3880	3	19.9	30	MN CE 355		200L-4	71000	80000	463
83.8	3250	2.8	16.7	30	MN CE 355		200L-4	71000	80000	463
46.3	5880	1.5	30.3	23.6	MN CE 354		200L-4	71000	80000	374
54.9	4960	1.9	25.5	23.6	MN CE 354		200L-4	71000	80000	374
59.5	4580	1.9	23.5	23.6	MN CE 354		200L-4	71000	80000	374
70.6	3860	2.12	19.8	23.6	MN CE 354		200L-4	71000	80000	374
91.1	2990	3.15	15.4	23.6	MN CE 354		200L-4	71000	80000	374
46.3	5880	1.06	30.3	21.2	MN CE 353		200L-4	60000	67000	398
54.9	4960	1.6	25.5	21.2	MN CE 353		200L-4	60000	67000	398
70.5	3860	1.9	19.9	21.2	MN CE 353		200L-4	60000	67000	398
84.1	3240	1.9	16.7	21.2	MN CE 353		200L-4	60000	67000	398
90.6	3000	2.5	15.5	21.2	MN CE 353		200L-4	60000	67000	398
117	2330	2.8	12	21.2	MN CE 353		200L-4	60000	67000	398
139	1950	3	10	21.2	MN CE 353		200L-4	60000	67000	398

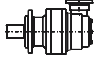
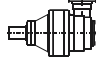
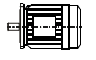
 $P_1=37kW$ $n_1=1400rpm$

3.2	99270	1.8	437	35.5	MN C3E 696		225S-4	250000	265000	1608
4.11	77350	2.24	341	35.5	MN C3E 696		225S-4	250000	265000	1608
4.91	64830	2.65	285	35.5	MN C3E 696		225S-4	250000	265000	1608
5.4	58940	2.8	259	35.5	MN C3E 696		225S-4	250000	265000	1608
4.11	77350	1.8	341	33.5	MN C3E 695		225S-4	250000	265000	1520
4.91	64830	2.12	285	33.5	MN C3E 695		225S-4	250000	265000	1520
5.4	58940	2.24	259	33.5	MN C3E 695		225S-4	250000	265000	1520
6.84	46470	2.65	205	33.5	MN C3E 695		225S-4	250000	265000	1520
8.71	36530	3	161	33.5	MN C3E 695		225S-4	250000	265000	1520
10.4	30620	3	135	33.5	MN C3E 695		225S-4	250000	265000	1520



技术参数

TECHNICAL DATA

P₁=37 kW n₁=1400rpm										
n ₂ rpm	M ₂ Nm	f _s	i	Pt KW				Fr ₂ MAX [N]		Kg
								C	S	
8.78	37030	2.12	159	42.5		MN C2E 543	225S-4	180000	190000	1087
11.3	28850	2.8	124	42.5		MN C2E 543	225S-4	180000	190000	1087
11.3	28850	2	124	40		MN C2E 542	225S-4	150000	160000	952
13.4	24310	3	105	40		MN C2E 542	225S-4	150000	160000	952
17.2	18940	3.55	81.6	40		MN C2E 542	225S-4	150000	160000	952
18.8	17330	3.15	74.6	40		MN C2E 542	225S-4	150000	160000	952
8.71	37340	1.18	161	31.5		MN C2E 446	225S-4	125000	132000	737
11	29440	1.5	127	31.5		MN C2E 446	225S-4	125000	132000	737
13.1	24810	2.12	107	31.5		MN C2E 446	225S-4	125000	132000	737
16.8	19330	2.8	83.2	31.5		MN C2E 446	225S-4	125000	132000	737
18.4	17690	2.24	76.2	31.5		MN C2E 446	225S-4	125000	132000	737
21.8	14900	3.15	64.2	31.5		MN C2E 446	225S-4	125000	132000	737
28	11610	4	50	31.5		MN C2E 446	225S-4	125000	132000	737
33.4	9730	4	41.9	31.5		MN C2E 446	225S-4	125000	132000	737
42.5	7650	4	32.9	31.5		MN C2E 446	225S-4	125000	132000	737
46.1	7280	2.8	30.4	40		MN CE 429	225S-4	100000	106000	659
46.1	7280	2	30.4	35.5		MN CE 428	225S-4	90000	97500	598
54.7	6140	3	25.6	35.5		MN CE 428	225S-4	90000	97500	598
70.2	4780	3.15	19.9	35.5		MN CE 428	225S-4	90000	97500	598
83.8	4010	3.55	16.7	35.5		MN CE 428	225S-4	90000	97500	598
46.1	7280	1.5	30.4	30		MN CE 355	225S-4	71000	80000	543
54.7	6140	2.12	25.6	30		MN CE 355	225S-4	71000	80000	543
70.2	4780	2.5	19.9	30		MN CE 355	225S-4	71000	80000	543
83.8	4010	2.36	16.7	30		MN CE 355	225S-4	71000	80000	543
91.1	3690	3.15	15.4	30		MN CE 355	225S-4	71000	80000	543
117	2870	3.75	12	30		MN CE 355	225S-4	71000	80000	543
139	2410	4	10	30		MN CE 355	225S-4	71000	80000	543

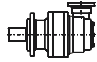
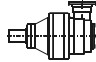
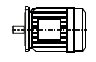

P₁=45 kW n₁=1400rpm										
8.78	45004	1.7	159	42.5		MN C2E 543	225M-4	180000	190000	1087
11.3	35090	2.24	124	42.5		MN C2E 543	225M-4	180000	190000	1087
13.4	29570	3	105	42.5		MN C2E 543	225M-4	180000	190000	1087
17.2	23040	3.55	81.6	42.5		MN C2E 543	225M-4	180000	190000	1087
18.8	21080	3.35	74.6	42.5		MN C2E 543	225M-4	180000	190000	1087
11.3	35090	1.7	124	40		MN C2E 542	225M-4	150000	160000	952
13.4	29570	2.5	105	40		MN C2E 542	225M-4	150000	160000	952
17.2	23040	3	81.6	40		MN C2E 542	225M-4	150000	160000	952
18.8	21080	2.5	74.6	40		MN C2E 542	225M-4	150000	160000	952
22.3	17760	3.35	62.9	40		MN C2E 542	225M-4	150000	160000	952
28.6	13840	4.25	49	40		MN C2E 542	225M-4	150000	160000	952
34.1	11600	4.5	41.1	40		MN C2E 542	225M-4	150000	160000	952
40.7	9720	4.25	34.4	40		MN C2E 542	225M-4	150000	160000	952



技术参数

TECHNICAL DATA

$P_1=45\text{ kW}$ $n_1=1400\text{rpm}$

n ₂ rpm	M ₂ Nm	f _s	i	P _t KW				Fr _{2MAX} [N]		 Kg
								C	S	
46.1	8860	2.24	30.4	40		MN CE 429 225M-4		100000	106000	659
54.7	7460	3.15	25.6	40		MN CE 429 225M-4		100000	106000	659
70.2	5820	3.15	19.9	40		MN CE 429 225M-4		100000	106000	659
46.1	8860	1.7	30.4	35.5		MN CE 428 225M-4		90000	97500	598
54.7	7460	2.5	25.6	35.5		MN CE 428 225M-4		90000	97500	598
70.2	5820	2.65	19.9	35.5		MN CE 428 225M-4		90000	97500	598
83.8	4870	2.8	16.7	35.5		MN CE 428 225M-4		90000	97500	598
91.1	4480	3.55	15.4	35.5		MN CE 428 225M-4		90000	97500	598
117	3490	4.25	12	35.5		MN CE 428 225M-4		90000	97500	598
139	2930	4.75	10	35.5		MN CE 428 225M-4		90000	97500	598

$P_1=55\text{ kW}$ $n_1=1400\text{rpm}$

7.4	65330	1	189	42.5		MN C2E 543 250M-4		180000	190000	1087
8.78	55040	1.4	159	42.5		MN C2E 543 250M-4		180000	190000	1087
11.3	42890	1.8	124	42.5		MN C2E 543 250M-4		180000	190000	1087
13.4	36140	2.5	105	42.5		MN C2E 543 250M-4		180000	190000	1087
17.2	28160	2.8	81.6	42.5		MN C2E 543 250M-4		180000	190000	1087
18.8	25770	2.8	74.6	42.5		MN C2E 543 250M-4		180000	190000	1087
22.3	21710	3.55	62.9	42.5		MN C2E 543 250M-4		180000	190000	1087
28.6	16920	4.25	49	42.5		MN C2E 543 250M-4		180000	190000	1087
34.1	14180	4.5	41.1	42.5		MN C2E 543 250M-4		180000	190000	1087
46.1	10830	1.8	30.4	40		MN CE 429 250M-4		100000	106000	659
54.7	9120	2.65	25.6	40		MN CE 429 250M-4		100000	106000	659
70.2	7110	2.65	19.9	40		MN CE 429 250M-4		100000	106000	659
83.8	5960	2.8	16.7	40		MN CE 429 250M-4		100000	106000	659
91.1	5480	3.75	15.4	40		MN CE 429 250M-4		100000	106000	659
117	4270	4.5	12	40		MN CE 429 250M-4		100000	106000	659
139	3580	4.75	10	40		MN CE 429 250M-4		100000	106000	659

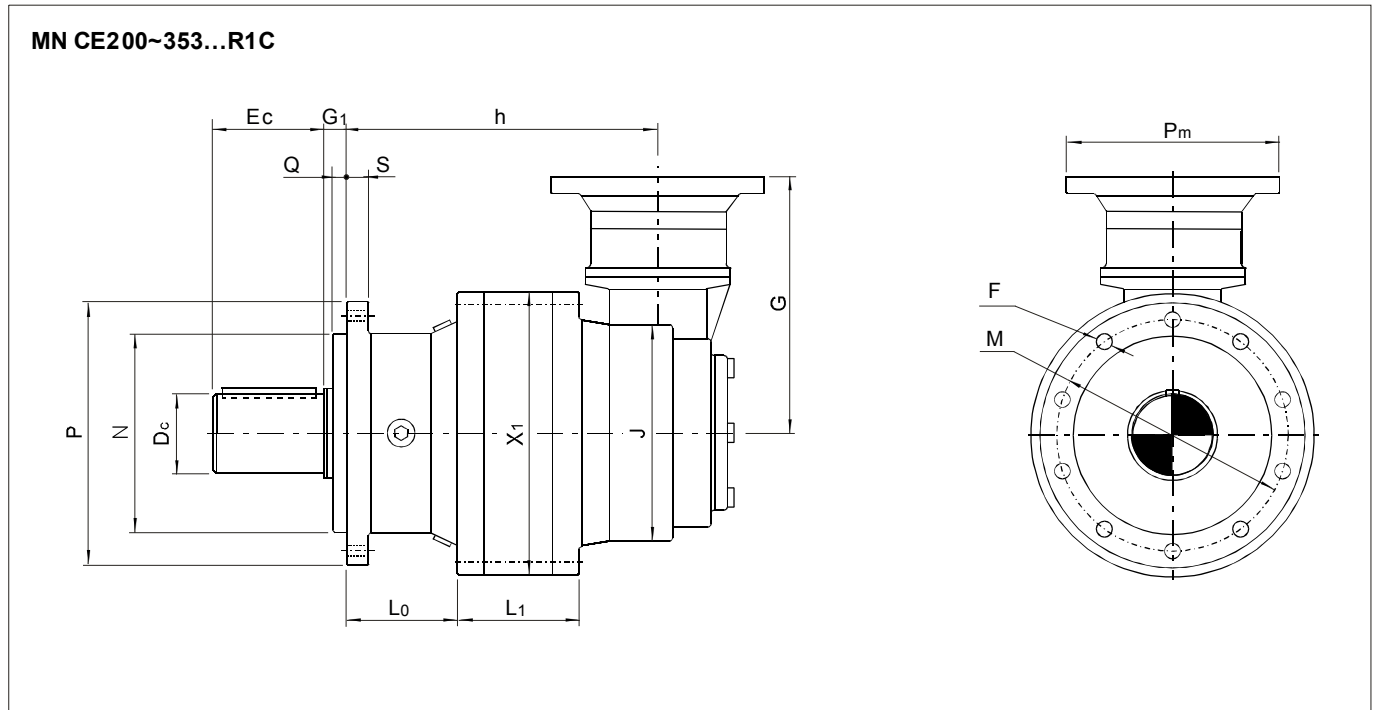


安装尺寸

螺旋伞齿-行星减速机
1级伞螺旋齿轮配1级行星齿轮
带电机转角传动
规格 200~353

Mounting dimensions

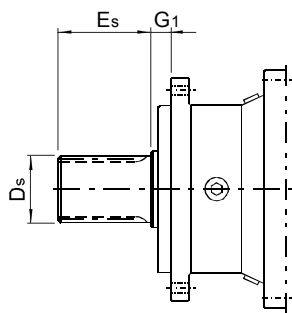
bevel-planetary gear motor
1 bevel gear pair and 1 planetary gear
right angle transmission with motor
size 200~353



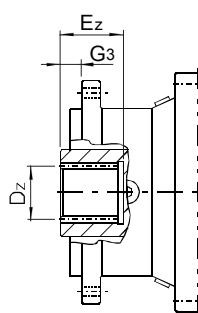
其它轴伸形式

Other shaft ends

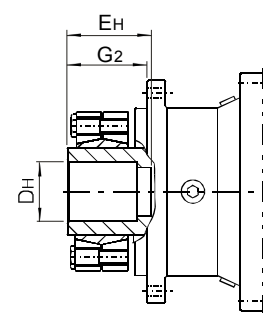
MN CE200~353...R1S



MN CE200~353...R1Z



MN CE200~353...R1H



- 1) 实心轴详细尺寸, 见第152页;
- 2) 外花键详细尺寸, 见第152页;
- 3) 内花键详细尺寸见, 第153页;
- 4) 空心轴带胀紧套详细尺寸, 见第153页;
- 5) 输出法兰详细尺寸, 见第151页;
- 6) 可附加底脚, 详细尺寸见第154页;
- 7) 电机外形尺寸详细尺寸, 见第155页.

- 1) for cylindrical shaft, see page 152;
- 2) for splined shaft details, see page 152;
- 3) for splined hollow shaft details, see page 153;
- 4) for hollow shaft with shrink disk details, see page 153;
- 5) for output flange details, see page 151;
- 6) can add foot on output flange, the details on page 154;
- 7) for motor dimensions, see page 155.



安装尺寸

螺旋伞齿-行星减速机

1级伞螺旋齿轮配1级行星齿轮

转角传动

规格 354~429

Mounting dimensions

bevel-planetary gear reducer

1 bevel gear pair and 1 planetary gear

right angle transmission

size 354~429

机型号 size	X ₁ Ø	L ₁	D _C Ø	E _C Ø	D _S	E _S	D _H Ø	E _H	D _Z
200	200	65	42	82	EXT 24zx2mx30	55	50	72	INT 24zx2mx30
201	200	77	50	82	EXT 24zx2mx30	55	50	72	INT 24zx2mx30
240	240	63	65	105	EXT 28zx2mx30	68	75	100	INT 28zx2mx30
241	240	56	65	105	EXT 28zx2mx30	68	75	100	INT 28zx2mx30
280	280	82	80	130	EXT 34zx2mx30	90	85	145	INT 34zx2mx30
353	353	92	90	130	EXT 40zx2mx30	90	100	140	INT 40zx2mx30

机型号 size	E _Z	G ₁	G ₂	G ₃	L ₀	M Ø	N Øf7	Q	P Ø	S	J Ø	h	重量 weight
200	42.5	6	50	6	62.5	165	110	5	185	12	200	181.5	45
201	42.5	6	56	6	62.5	165	110	5	185	12	200	193.5	49
240	54	15	85	15	89	195	150	14	220	18	200	221.5	65
241	54	15	85	15	89	195	150	14	220	18	270	251.5	115
280	82	40	115	40	142	250	200	15	280	22	270	314	140
353	85	36	120	36	124	295	230	10	325	25	270	304.5	190

机型号 size	G								P _m							
	电机规格/motor frame								电机规格/motor frame							
	80	90	100	112	132	160	180	200	80	90	100	112	132	160	180	200
200	227	227	245	245	258				200	200	250	250	300			
201		227	245	245	258					200	250	250	300			
240			245	245	258	258					250	250	300	350		
241				286	340	384	384					250	300	350	350	
280					340	384	384						300	350	350	
353					340	384	384	384					300	350	350	400

安装位置及油量(L)

Mounting positions and oil quantity(L)

B5		B51		V1		规格 size	B5,B53	B51	B52	V1,V3
						200	1	1.6	1	1.8
201	1.2	1.9	1.2	2.1						
240	1.5	2.3	1.5	2.7						
241	2.6	4.3	2.6	4.8						
280	3.3	5.3	3.3	6						
353	4.3	6.7	4.3	7.8						

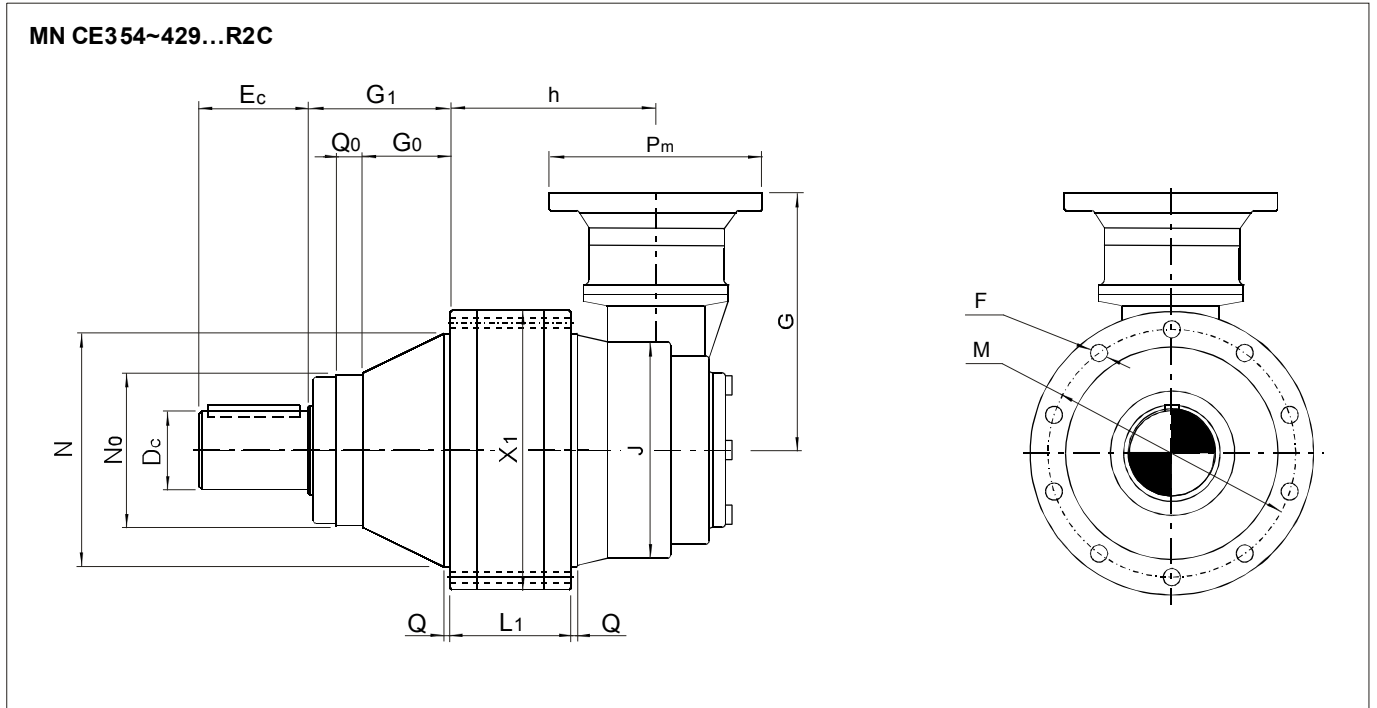


安装尺寸

螺旋伞齿-行星减速机
1级伞螺旋齿轮配1级行星齿轮
带电机转角传动
规格 354~429

Mounting dimensions

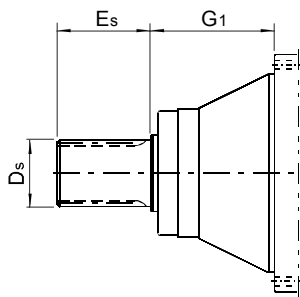
bevel-planetary gear motor
1 bevel gear pair and 1 planetary gear
right angle transmission with motor
size 354~429



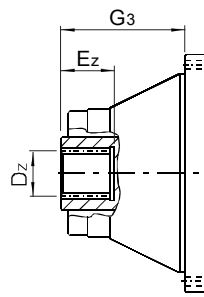
其它轴伸形式

Other shaft ends

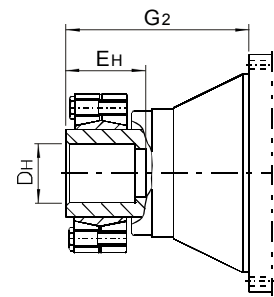
MN CE354~429...R2S



MN CE354~429...R2Z



MN CE354~429...R2H



- 1) 实心轴详细尺寸, 见第152页;
- 2) 外花键详细尺寸, 见第152页;
- 3) 内花键详细尺寸见, 第153页;
- 4) 空心轴带胀紧套详细尺寸, 见第153页;
- 5) 输出法兰详细尺寸, 见第151页;
- 6) 可附加底脚, 详细尺寸见第154页;
- 7) 电机外形尺寸详细尺寸, 见第155页.

- 1) for cylindrical shaft, see page 152;
- 2) for splined shaft details, see page 152;
- 3) for splined hollow shaft details, see page 153;
- 4) for hollow shaft with shrink disk details, see page 153;
- 5) for output flange details, see page 151;
- 6) can add foot on output flange, the details on page 154;
- 7) for motor dimensions, see page 155.



安装尺寸

螺旋伞齿-行星减速机
1级伞螺旋齿轮配1级行星齿轮
带电机转角传动
规格 354~429

Mounting dimensions

bevel-planetary gear motor
1 bevel gear pair and 1 planetary gear
right angle transmission with motor
size 354~429

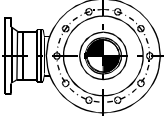
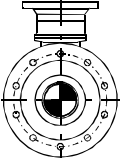
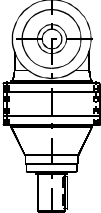
机型号 size	X ₁ ∅	L ₁	D _C ∅	E _C	D _S	E _S	D _H ∅	E _H	D _Z
354	353	138	100	130	EXT 29zx3mx30	90	110	160	INT 29zx3mx30
355	353	139	100	130	EXT 29zx3mx30	90	110	160	INT 29zx3mx30
428	428	162	110	165	EXT 39zx3mx30	130	130	180	INT 39zx3mx30
429	428	184	120	165	EXT 39zx3mx30	130	130	180	INT39zx3mx30

机型号 size	E _Z	G ₀	G ₁	G ₂	G ₃	h	J ∅	M ∅	N ∅f7	N ₀ ∅f7	Q	Q ₀ ∅	重量 weight
354	75	72	141	235	141	221.5	270	314	278	225	8.5	25	205
355	75	72	141	235	141	297	376	314	278	225	8.5	25	295
428	107	135	210	320	210	310	376	390	358	230	10	40	360
429	107	135	210	320	210	332	376	390	358	230	10	40	360

机型号 size	G					P _m				
	电机规格/motor frame					电机规格/motor frame				
	160	180	200	225	250	160	180	200	225	250
354	384	384	384			350	350	400		
355		460	460	490			350	400	450	
428		460	460	490			350	400	450	
429			460	490	490			400	450	550

安装位置及油量(L)

Mounting positions and oil quantity(L)

B5		B51		V1		规格 size	B5,B53	B51	B52	V1,V3
						354	5.3	8.1	5.3	9.5
355	7.6	12.8	7.6	14.2						
428	8.6	14.2	8.6	16						
429	8.6	14.2	8.6	16						

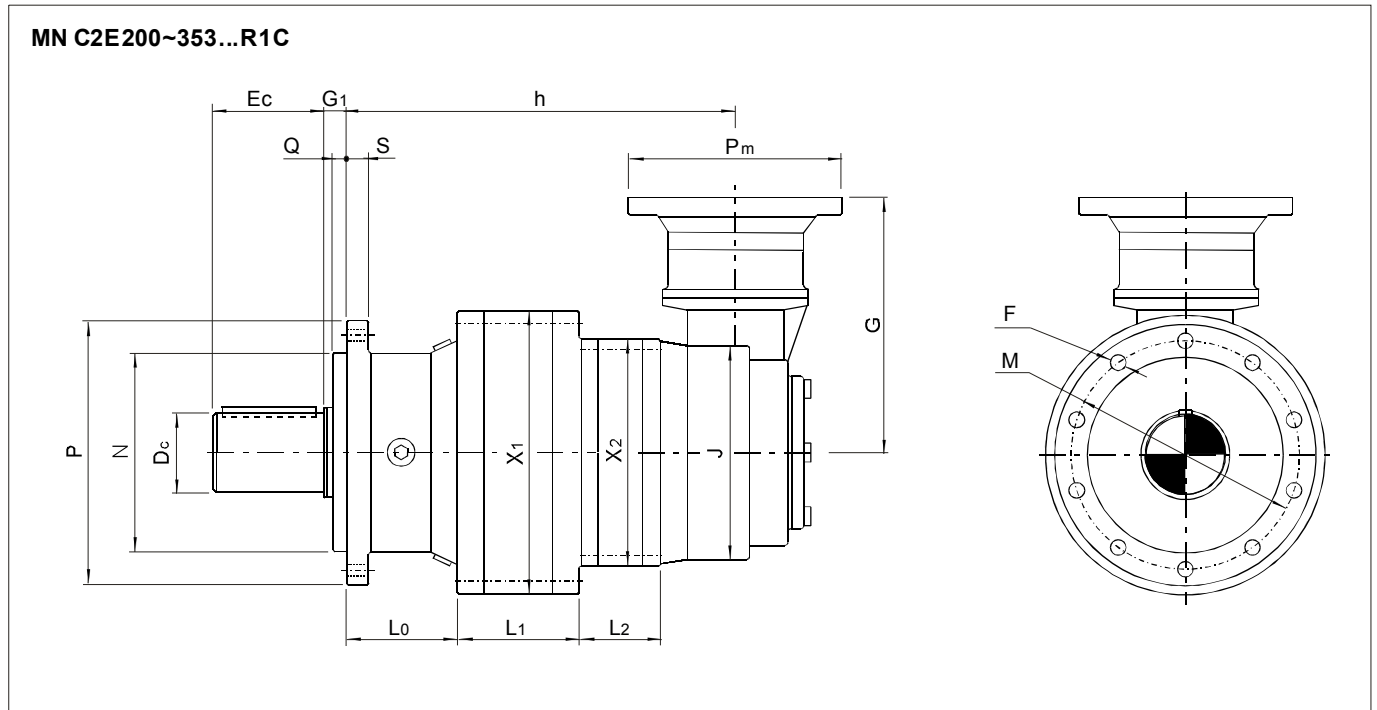


安装尺寸

螺旋伞齿-行星减速机
1级伞螺旋齿轮配2级行星齿轮
带电机转角传动
规格 200~353

Mounting dimensions

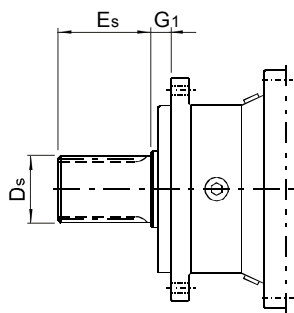
bevel-planetary gear motor
1 bevel gear pair and 2 planetary gear
right angle transmission with motor
size 200~353



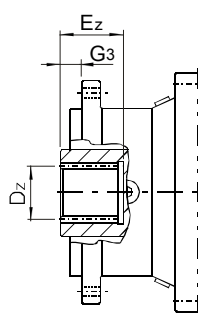
其它轴伸形式

Other shaft ends

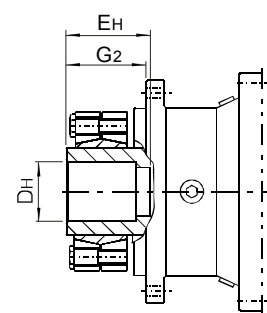
MN C2E200~353...R1S



MN C2E200~353...R1Z



MN C2E200~353...R1H



- 1) 实心轴详细尺寸, 见第152页;
- 2) 外花键详细尺寸, 见第152页;
- 3) 内花键详细尺寸见, 第153页;
- 4) 空心轴带胀紧套详细尺寸, 见第153页;
- 5) 输出法兰详细尺寸, 见第151页;
- 6) 可附加底脚, 详细尺寸见第154页;
- 7) 电机外形尺寸详细尺寸, 见第155页.

- 1) for cylindrical shaft, see page 152;
- 2) for splined shaft details, see page 152;
- 3) for splined hollow shaft details, see page 153;
- 4) for hollow shaft with shrink disk details, see page 153;
- 5) for output flange details, see page 151;
- 6) can add foot on output flange, the details on page 154;
- 7) for motor dimensions, see page 155.



安装尺寸

螺旋伞齿-行星减速机

1级伞螺旋齿轮配2级行星齿轮

带电机转角传动

规格 200~353

Mounting dimensions

bevel-planetary gear motor

1 bevel gear pair and 2 planetary gear

right angle transmission with motor

size 200~353

机型号 size	X ₁ Ø	L ₁	X ₂ Ø	L ₂	D _C Ø	E _C	D _S	E _S	D _H Ø	E _H	D _Z
200	200	49	200	66	42	82	EXT 24zx2mx30	55	50	72	INT 24zx2mx30
201	200	61	200	66	50	82	EXT 24zx2mx30	55	50	72	INT 24zx2mx30
240	240	63	200	66	65	105	EXT 28zx2mx30	68	75	100	INT 28zx2mx30
241	240	78	200	78	65	105	EXT 28zx2mx30	68	75	100	INT 28zx2mx30
280	280	82	240	62	80	130	EXT 34zx2mx30	90	85	145	INT 34zx2mx30
353	353	92	240	67	90	130	EXT 40zx2mx30	90	100	140	INT 40zx2mx30

机型号 size	E _Z	G ₁	G ₂	G ₃	L ₀	M Ø	N Øf7	Q	P Ø	S	J Ø	h	重量 weight
200	42.5	6	50	6	62.5	165	110	5	185	12	200	231.5	55
201	42.5	6	56	6	62.5	165	110	5	185	12	200	243.5	56
240	54	15	85	15	89	195	150	14	220	18	200	271.5	74
241	54	15	85	15	89	195	150	14	220	18	200	298.5	85
280	82	40	115	40	142	250	200	15	280	22	200	355.5	113
353	85	36	120	36	124	295	230	10	325	25	200	353	165

机型号 size	G							P _m						
	电机规格/motor frame							电机规格/motor frame						
	71	80	90	100	112	132	160	71	80	90	100	112	132	160
200	217	227	227	245	245			160	200	200	250	250		
201	217	227	227	245	245			160	200	200	250	250		
240		227	227	245	245	258			200	200	250	250	300	
241		227	227	245	245	258			200	200	250	250	300	
280			227	245	245	258				200	250	250	300	
353				245	245	258	258				250	250	300	350

安装位置及油量(L)

Mounting positions and oil quantity(L)

B5		B51		V1		规格 size	B5,B53	B51	B52	V1,V3
						200	201	240	241	280
						200	1.4	2.3	1.4	2.5
						201	1.6	2.6	1.6	2.8
						240	1.9	3	1.9	3.4
						241	2.4	8.3	2.4	4.2
						280	3.3	5.1	3.3	5.8
						353	4.6	7	4.6	8.1

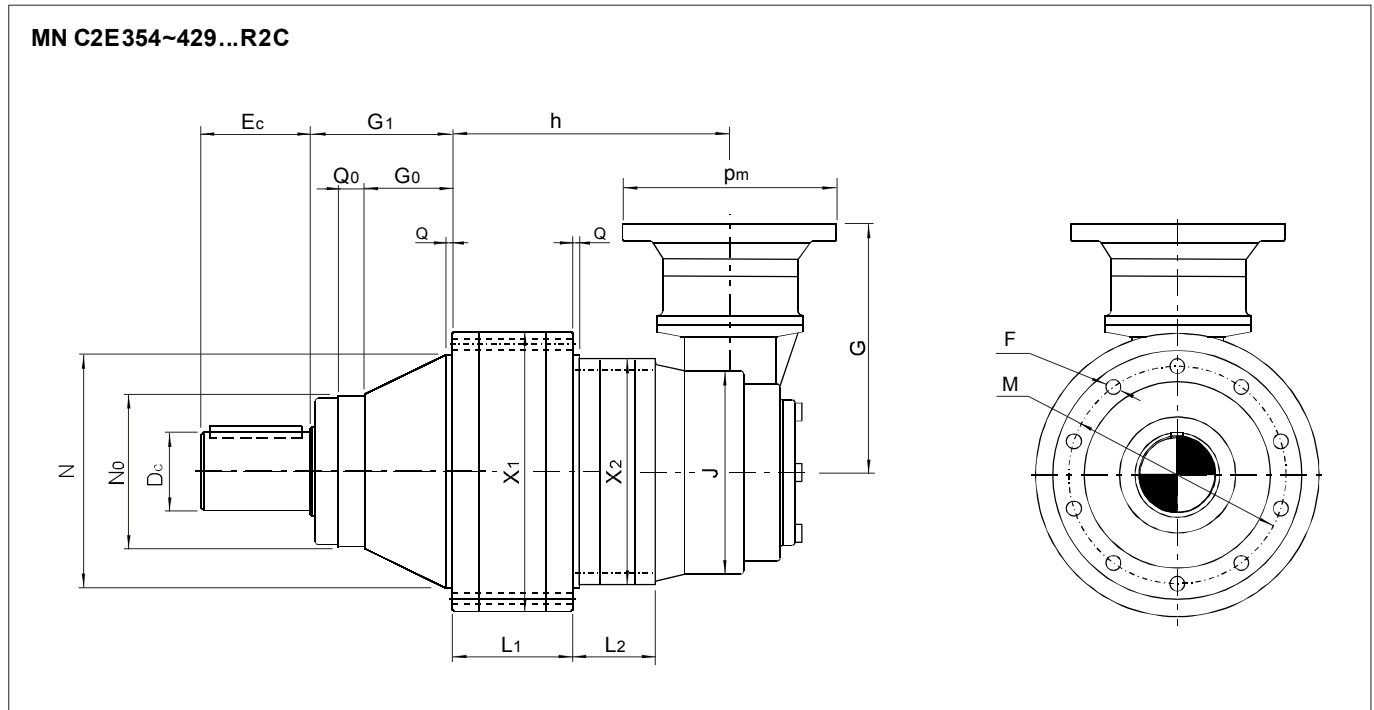


安装尺寸

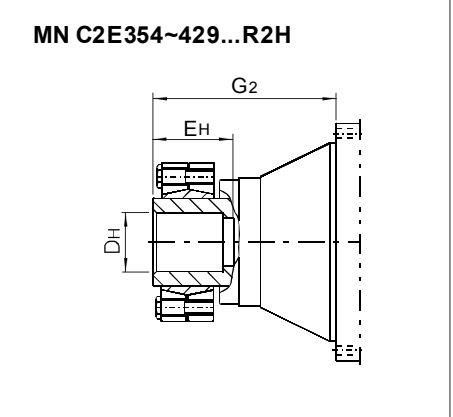
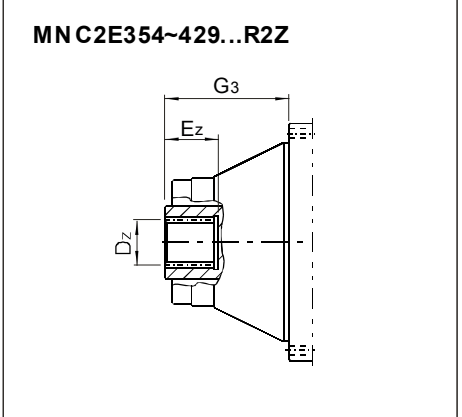
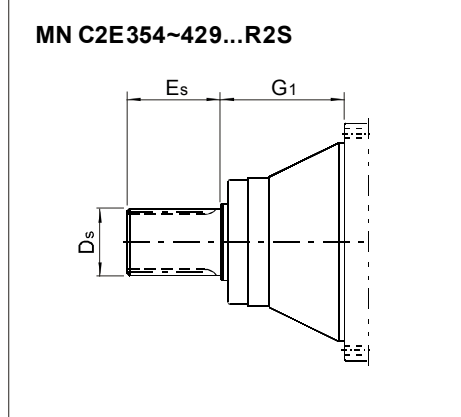
螺旋伞齿-行星减速机
1级伞螺旋齿轮配2级行星齿轮
带电机转角传动
规格 354~429

Mounting dimensions

bevel-planetary gear motor
1 bevel gear pair and 2 planetary gear
right angle transmission with motor
size 354~429



其它轴伸形式 Other shaft ends



- | | |
|---|--|
| <ul style="list-style-type: none"> 1) 实心轴详细尺寸, 见第152页; 2) 外花键详细尺寸, 见第152页; 3) 内花键详细尺寸见, 第153页; 4) 空心轴带胀紧套详细尺寸, 见第153页; 5) 输出法兰详细尺寸, 见第151页; 6) 可附加底脚, 详细尺寸见第154页; 7) 电机外形尺寸详细尺寸, 见第155页. | <ul style="list-style-type: none"> 1) for cylindrical shaft, see page 152; 2) for splined shaft details, see page 152; 3) for splined hollow shaft details, see page 153; 4) for hollow shaft with shrink disk details, see page 153; 5) for output flange details, see page 151; 6) can add foot on output flange, the details on page 154; 7) for motor dimensions, see page 155. |
|---|--|



安装尺寸

螺旋伞齿-行星减速机
1级伞螺旋齿轮配2级行星齿轮
带电机转角传动
规格 354~429

Mounting dimensions

bevel-planetary gear motor
1 bevel gear pair and 2 planetary gear
right angle transmission with motor
size 354~429

机型号 size	X ₁ Ø	L ₁	X ₂ Ø	L ₂	D _C Ø	E _C Ø	D _S	E _S	D _H Ø	E _H	D _Z
354	353	138	240	48	100	130	EXT 29zx3mx30	90	110	160	INT 29zx3mx30
355	353	139	280	101	100	130	EXT 29zx3mx30	90	110	160	INT 29zx3mx30
428	428	140	280	110	110	165	EXT 39zx3mx30	130	130	180	INT 39zx3mx30
429	428	184	353	82	120	165	EXT 39zx3mx30	130	130	180	INT 39zx3mx30

机型号 size	E _Z	G ₀	G ₁	G ₂	G ₃	h	J Ø	M Ø	N Øf7	N ₀ Øf7	Q	Q ₀ Ø	重量 weight
354	75	72	141	235	141	293	270	314	278	225	8.5	25	225
355	75	72	141	235	141	329.5	270	314	278	225	8.5	25	238
428	107	135	210	320	210	340	270	390	358	230	10	40	305
429	107	135	210	320	210	354	270	390	358	230	10	40	320

机型号 size	G								P _m							
	电机规格/motor frame								电机规格/motor frame							
	100	112	132	160	180	200	225	250	100	112	132	160	180	200	225	250
354	286	286	340	384	384				250	250	300	350	350			
355		286	340	384	384					250	300	350	350			
428			340	384	384						300	350	350			
429			340	384	384	384					300	350	350	400		

安装位置及油量(L)

Mounting positions and oil quantity(L)

B5		B51		V1		规格 size	B5,B53	B51	B52	V1,V3
						354	6.4	10	6.4	11.4
355	6.9	10.9	6.9	12.3						
428	7.9	12.3	7.9	14.1						
429	8.7	13.7	8.7	15.5						

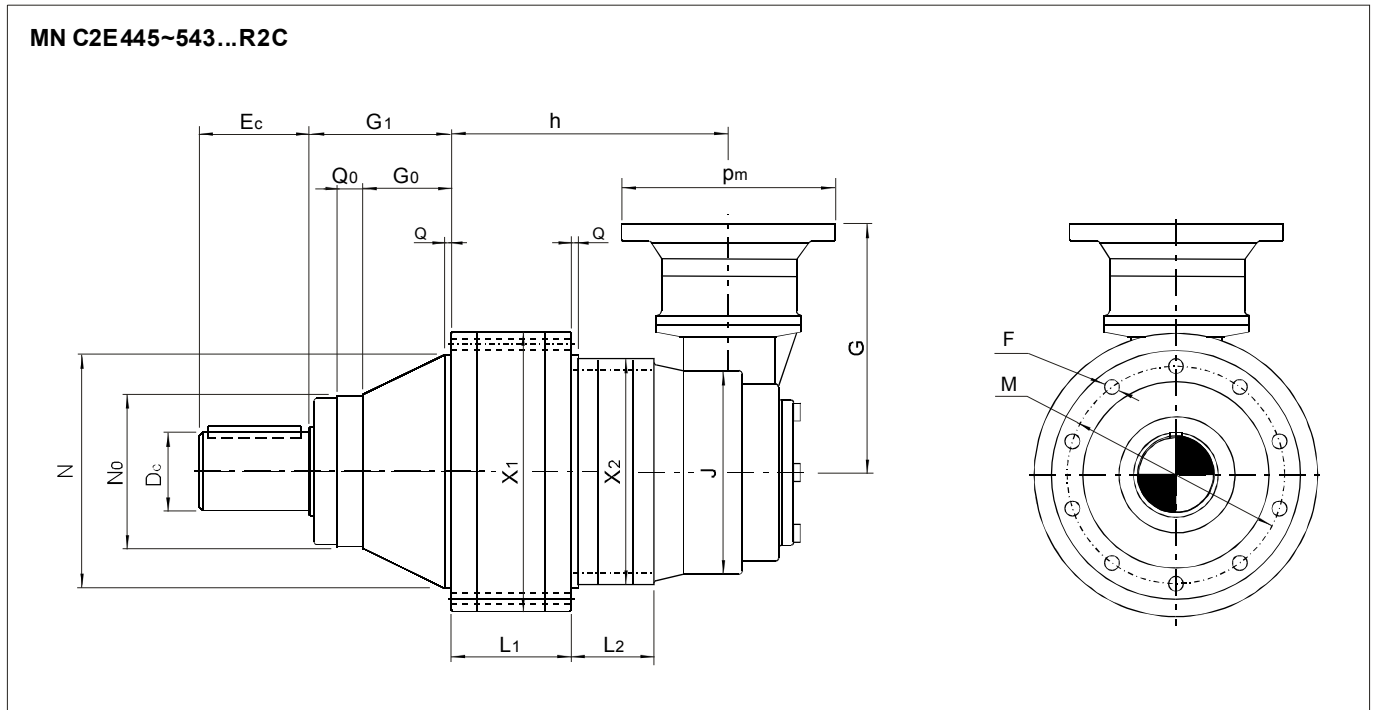


安装尺寸

螺旋伞齿-行星减速机
1级伞螺旋齿轮配2级行星齿轮
带电机转角传动
规格 445~543

Mounting dimensions

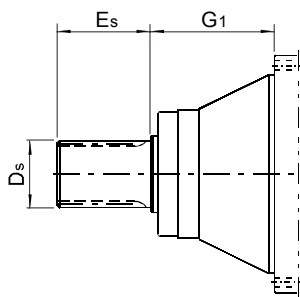
bevel-planetary gear motor
1 bevel gear pair and 2 planetary gear
right angle transmission with motor
size 445~543



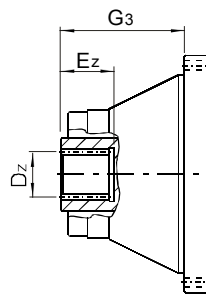
其它轴伸形式

Other shaft ends

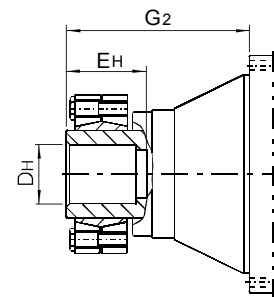
MN C2E445~543...R2S



MN C2E445~543...R2Z



MN C2E445~543...R2H



- 1) 实心轴详细尺寸, 见第152页;
- 2) 外花键详细尺寸, 见第152页;
- 3) 内花键详细尺寸见, 第153页;
- 4) 空心轴带胀紧套详细尺寸, 见第153页;
- 5) 输出法兰详细尺寸, 见第151页;
- 6) 可附加底脚, 详细尺寸见第154页;
- 7) 电机外形尺寸详细尺寸, 见第155页.

- 1) for cylindrical shaft, see page 152;
- 2) for splined shaft details, see page 152;
- 3) for splined hollow shaft details, see page 153;
- 4) for hollow shaft with shrink disk details, see page 153;
- 5) for output flange details, see page 151;
- 6) can add foot on output flange, the details on page 154;
- 7) for motor dimensions, see page 155.



安装尺寸

螺旋伞齿-行星减速机
1级伞螺旋齿轮配2级行星齿轮
带电机转角传动
规格 445~543

Mounting dimensions

bevel-planetary gear motor
1 bevel gear pair and 2 planetary gear
right angle transmission with motor
size 429~543

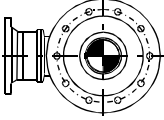
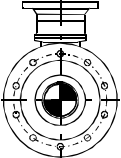
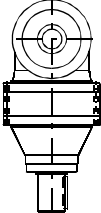
机型号 size	X ₁ Ø	L ₁	X ₂ Ø	L ₂	D _C Ø	E _C Ø	D _S	E _S	D _H Ø	E _H	D _Z
445	445	175	353	128	130	170	EXT 42zx3mx30	130	140	205	INT 42zx3mx30
446	445	175	353	128	140	170	EXT 42zx3mx30	130	140	205	INT 42zx3mx30
542	542	199	428	159	160	210	EXT 30zx5mx30	170	170	250	INT 30zx5mx30
543	542	219	428	181	170	210	EXT 30zx5mx30	170	170	250	INT 30zx5mx30

机型号 size	E _Z	G ₀	G ₁	G ₂	G ₃	h	J Ø	M Ø	N Øf7	N ₀ Øf7	Q	Q ₀ Ø	重量 weight
445	110	152	227	362	227	386	270	415	385	260	13	40	411
446	110	152	227	362	227	462	376	415	385	260	13	40	502
542	120	224	279	427	279	506	376	503	460	300	13	32	717
543	120	224	279	437	279	548	376	503	460	300	13	32	790

机型号 size	G								P _m							
	电机规格/motor frame								电机规格/motor frame							
	100	112	132	160	180	200	225	250	100	112	132	160	180	200	225	250
445				384	384	384						350	350	400		
446				460	460	460	490					350	350	400	450	
542				460	460	460	490					350	350	400	450	
543				460	460	460	490	490				350	350	400	450	550

安装位置及油量(L)

Mounting positions and oil quantity(L)

B5		B51		V1		规格 size	B5,B53	B51	B52	V1,V3
						445	12	18.6	12	21
446	14.3	23	14.3	26						
542	17.6	28	17.6	32						
543	21	33	21	37						

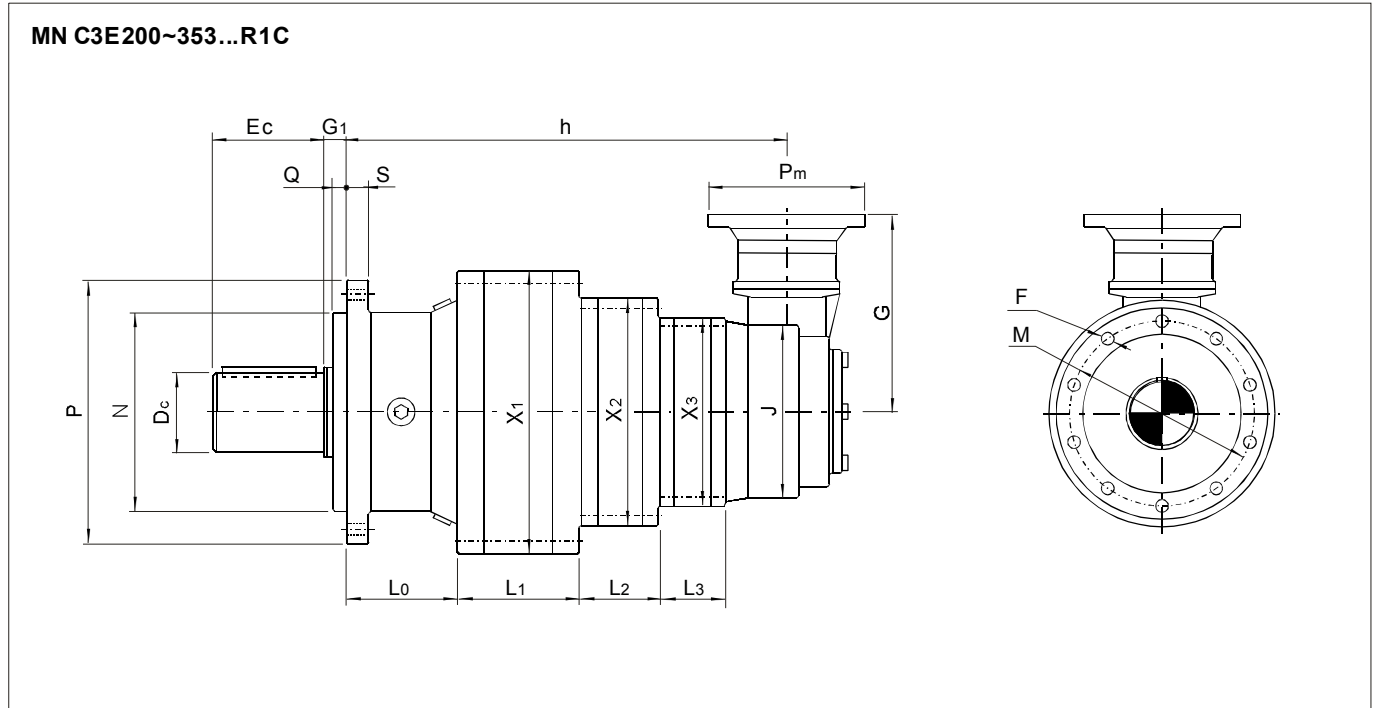


安装尺寸

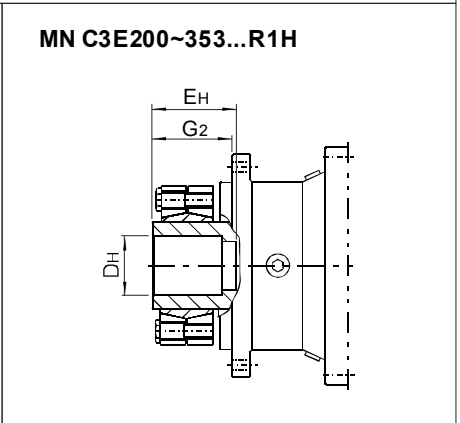
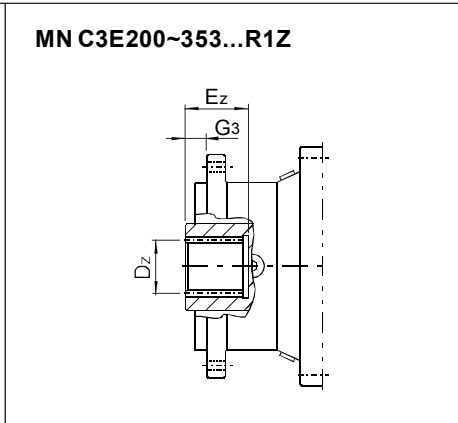
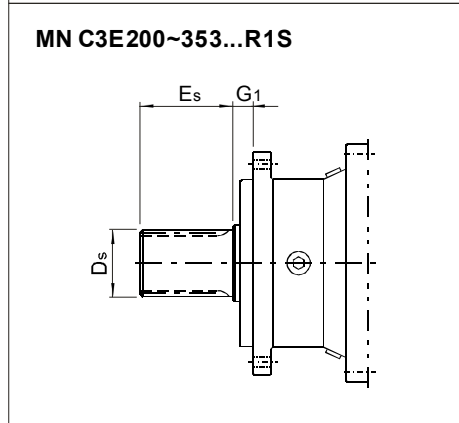
螺旋伞齿-行星减速机
1级伞螺旋齿轮配2级行星齿轮
带电机转角传动
规格 200~353

Mounting dimensions

bevel-planetary gear motor
1 bevel gear pair and 3 planetary gear
right angle transmission with motor
size 200~353



其它轴伸形式 Other shaft ends



- | | |
|---|--|
| <ul style="list-style-type: none"> 1) 实心轴详细尺寸, 见第152页; 2) 外花键详细尺寸, 见第152页; 3) 内花键详细尺寸见, 第153页; 4) 空心轴带胀紧套详细尺寸, 见第153页; 5) 输出法兰详细尺寸, 见第151页; 6) 可附加底脚, 详细尺寸见第154页; 7) 电机外形尺寸详细尺寸, 见第155页. | <ul style="list-style-type: none"> 1) for cylindrical shaft, see page 152; 2) for splined shaft details, see page 152; 3) for splined hollow shaft details, see page 153; 4) for hollow shaft with shrink disk details, see page 153; 5) for output flange details, see page 151; 6) can add foot on output flange, the details on page 154; 7) for motor dimensions, see page 155. |
|---|--|



安装尺寸

螺旋伞齿-行星减速机
1级伞螺旋齿轮配3级行星齿轮
带电机转角传动
规格 200~353

Mounting dimensions

bevel-planetary gear motor
1 bevel gear pair and 3 planetary gear
right angle transmission with motor
size 200~353

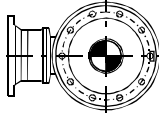
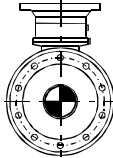
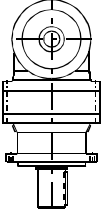
机型号 size	X ₁ ∅	L ₁	X ₂ ∅	L ₂	X ₃ ∅	L ₃	D _C ∅	E _C	D _S	E _S	D _H ∅	E _H	D _Z
240	240	63	200	66	200	66	65	105	EXT 28zx2mx30	68	75	100	INT 28zx2mx30
241	240	78	200	78	200	66	65	105	EXT 28zx2mx30	68	75	100	INT 28zx2mx30
280	280	82	240	62	200	66	80	130	EXT 34zx2mx30	90	85	145	INT 34zx2mx30
353	353	92	240	67	200	78	90	130	EXT 40zx2mx30	90	100	140	INT 40zx2mx30

机型号 size	E _Z	G ₁	G ₂	G ₃	L ₀	M ∅	N ∅f7	Q	P ∅	S	J ∅	h	重量 weight
240	54	15	85	15	89	195	150	14	220	18	200	321.5	80
241	54	15	85	15	89	195	150	14	220	18	200	348.5	90
280	82	40	115	40	142	250	200	15	280	22	200	405.5	120
353	85	36	120	36	124	295	230	10	325	25	200	415	175

机型号 size	G							P _m						
	电机规格/motor frame							电机规格/motor frame						
	71	80	90	100	112	132	160	71	80	90	100	112	132	160
240	217	227	227	245				160	200	200	250			
241	217	227	227	245	245			160	200	200	250	250		
280	217	227	227	245	245			160	200	200	250	250		
353				245	245	258					250	250	300	

安装位置及油量(L)

Mounting positions and oil quantity(L)

B5		B51		V1		规格 size	B5,B53	B51	B52	V1,V3
						240	2.3	3.7	2.3	4.1
241	2.8	4.9	2.8	4.9						
280	3.7	6.5	3.7	6.5						
353	5.2	8.1	5.2	9.1						

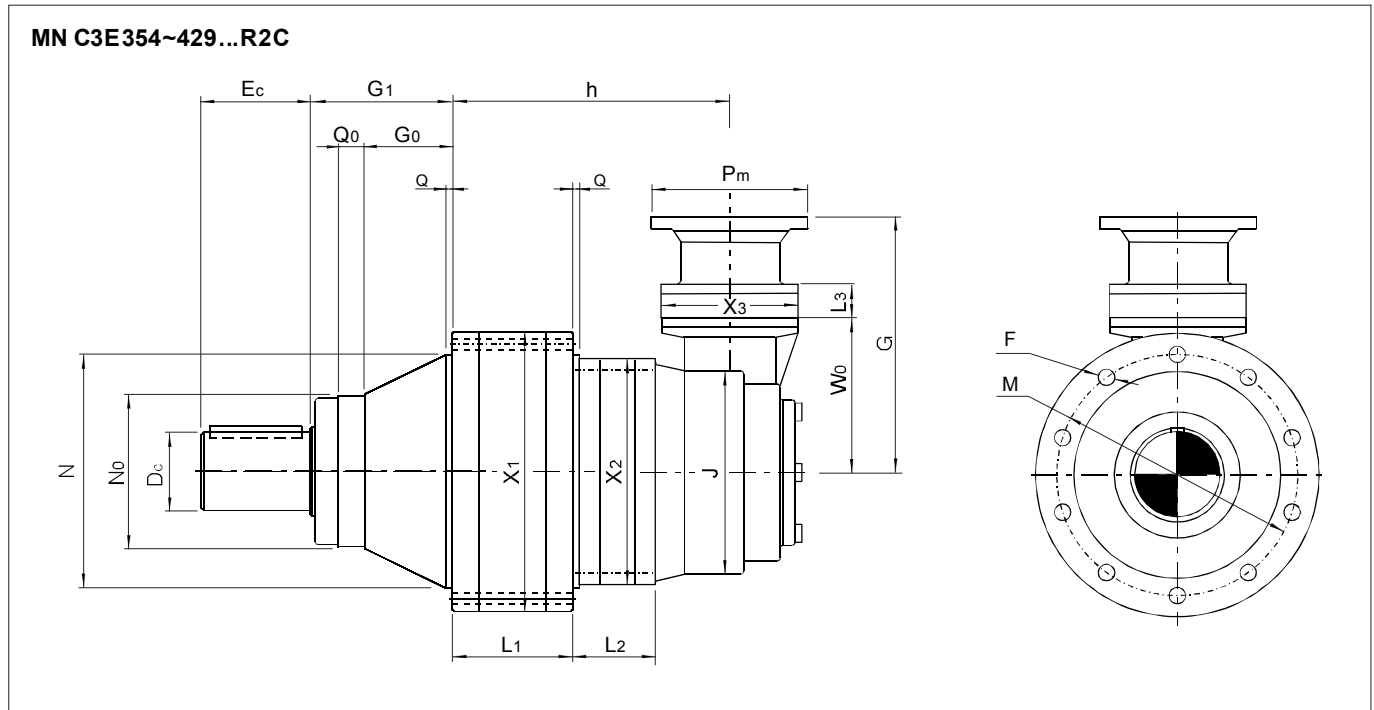


安装尺寸

螺旋伞齿-行星减速机
1级伞螺旋齿轮配3级行星齿轮
带电机转角传动
规格 354~429

Mounting dimensions

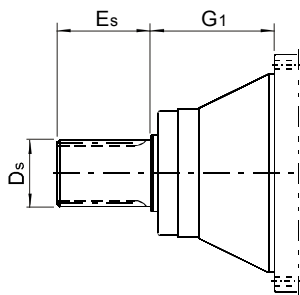
bevel-planetary gear motor
1 bevel gear pair and 3 planetary gear
right angle transmission with motor
size 354~429



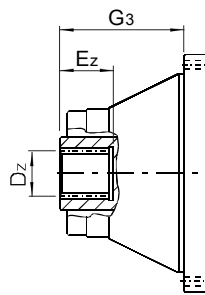
其它轴伸形式

Other shaft ends

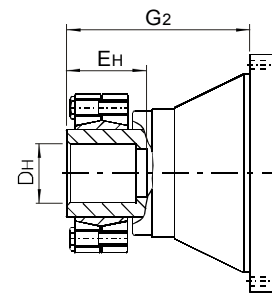
MN C3E354~429...R2S



MN C3E354~429...R2Z



MN C3E354~429...R2H



- 1) 实心轴详细尺寸, 见第152页;
- 2) 外花键详细尺寸, 见第152页;
- 3) 内花键详细尺寸见, 第153页;
- 4) 空心轴带胀紧套详细尺寸, 见第153页;
- 5) 输出法兰详细尺寸, 见第151页;
- 6) 可附加底脚, 详细尺寸见第154页;
- 7) 电机外形尺寸详细尺寸, 见第155页.

- 1) for cylindrical shaft, see page 152;
- 2) for splined shaft details, see page 152;
- 3) for splined hollow shaft details, see page 153;
- 4) for hollow shaft with shrink disk details, see page 153;
- 5) for output flange details, see page 151;
- 6) can add foot on output flange, the details on page 154;
- 7) for motor dimensions, see page 155.



安装尺寸

螺旋伞齿-行星减速机
1级伞螺旋齿轮配3级行星齿轮
带电机转角传动
规格 354~429

Mounting dimensions

bevel-planetary gear motor
1 bevel gear pair and 3 planetary gear
right angle transmission with motor
size 354~429

机型号 size	X ₁ Ø	L ₁	X ₂ Ø	L ₂	X ₃ Ø	L ₃	D _C Ø	E _C	D _S	E _S	D _H Ø	E _H	D _Z
354	353	138	240	48	200	48	100	130	EXT 29zx3mx30	90	110	160	INT 29zx3mx30
355	353	139	280	101	200	48	100	130	EXT 29zx3mx30	90	110	160	INT 29zx3mx30
428	428	140	280	110	200	48	110	165	EXT 39zx3mx30	130	130	180	INT 39zx3mx30
429	428	184	353	82	200	60	120	165	EXT 39zx3mx30	130	130	180	INT 39zx3mx30

机型号 size	E _Z	G ₀	G ₁	G ₂	G ₃	h	J Ø	M Ø	N Øf7	N ₀ Øf7	Q	Q ₀	W ₀	重量 weight
354	75	72	141	235	141	293	270	314	278	225	8.5	25	225	218
355	75	72	141	235	141	329.5	270	314	278	225	8.5	25	225	231
428	107	135	210	320	210	340	270	390	358	230	10	40	225	296
429	107	135	210	320	210	354	270	390	358	230	10	40	225	316

机型号 size	G						P _m					
	电机规格/motor frame						电机规格/motor frame					
	80	90	100	112	132	160	80	90	100	112	132	160
354	320	320	338	338	351		200	200	250	250	300	
355	320	320	338	338	351		200	200	250	250	300	
428		320	338	338	351			200	250	250	300	
429		320	338	338	351	417		200	250	250	300	350

安装位置及油量(L)

Mounting positions and oil quantity(L)

B5		B51		V1		规格 size	B5,B53	B51	B52	V1,V3
						354	6.8	10.7	7.1	12.1
355	7.3	11.6	7.6	13						
428	8.3	13	8.6	14.8						
429	9.3	14.8	9.7	16.5						

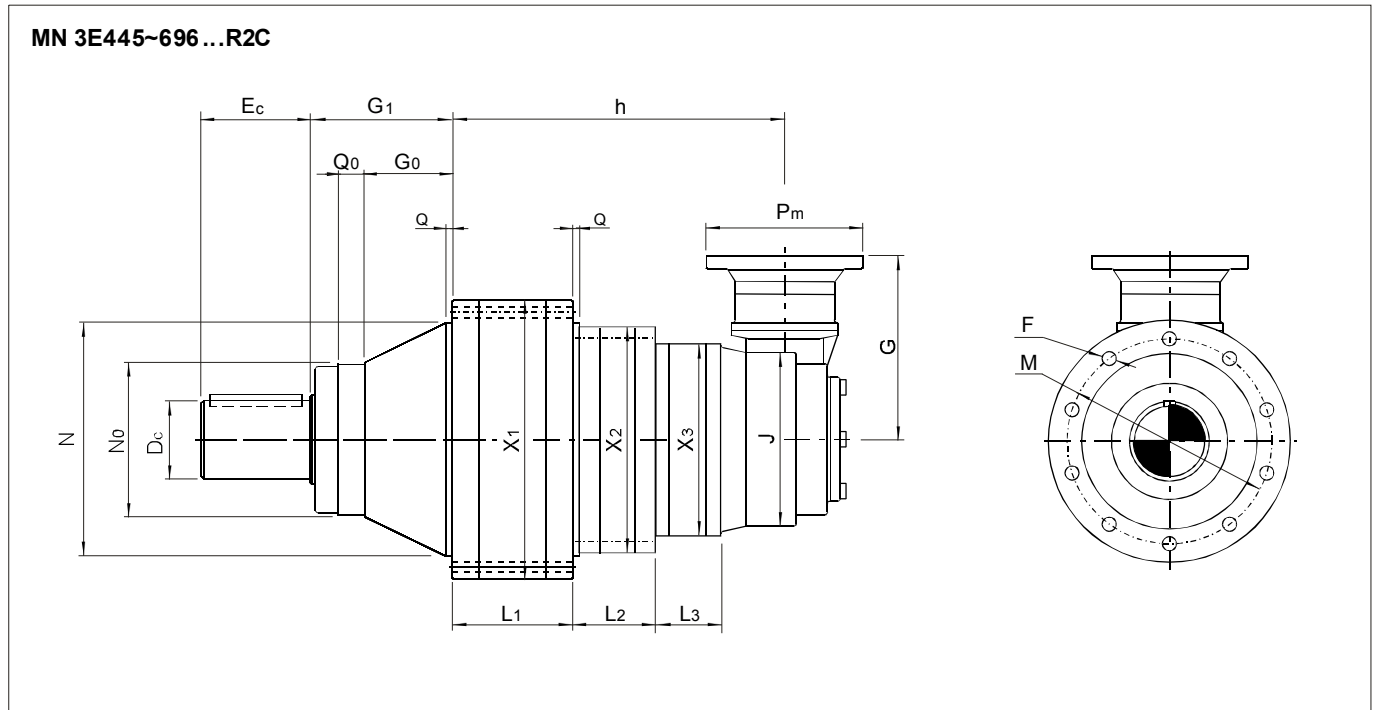


安装尺寸

螺旋伞齿-行星减速机
1级伞螺旋齿轮配3级行星齿轮
带电机转角传动
规格 445~696

Mounting dimensions

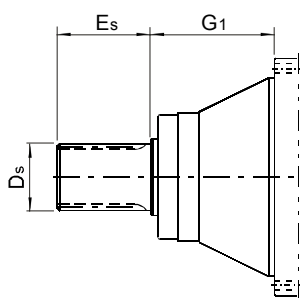
bevel-planetary gear motor
1 bevel gear pair and 3 planetary gear
right angle transmission with motor
size 445~696



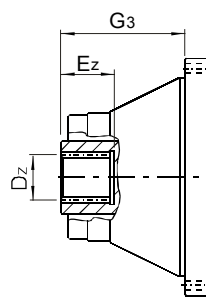
其它轴伸形式

Other shaft ends

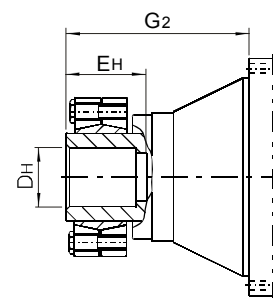
MN C3E445~696...R2S



MN C3E445~696...R2Z



MN C3E445~696...R2H



- 1) 实心轴详细尺寸, 见第152页;
- 2) 外花键详细尺寸, 见第152页;
- 3) 内花键详细尺寸见, 第153页;
- 4) 空心轴带胀紧套详细尺寸, 见第153页;
- 5) 输出法兰详细尺寸, 见第151页;
- 6) 可附加底脚, 详细尺寸见第154页;
- 7) 电机外形尺寸详细尺寸, 见第155页.

- 1) for cylindrical shaft, see page 152;
- 2) for splined shaft details, see page 152;
- 3) for splined hollow shaft details, see page 153;
- 4) for hollow shaft with shrink disk details, see page 153;
- 5) for output flange details, see page 151;
- 6) can add foot on output flange, the details on page 154;
- 7) for motor dimensions, see page 155.



安装尺寸

螺旋伞齿-行星减速机
1级伞螺旋齿轮配3级行星齿轮
带电机转角传动
规格 445~696

Mounting dimensions

bevel-planetary gear motor
1 bevel gear pair and 3 planetary gear
right angle transmission with motor
size 445~696

机型号 size	X ₁ Ø	L ₁	X ₂ Ø	L ₂	X ₃ Ø	L ₃	D _C Ø	E _C	D _S	E _S	D _H Ø	E _H	D _Z
445	445	175	353	128	240	48	130	170	EXT 42zx3mx30	130	140	205	INT 42zx3mx30
446	445	175	353	128	280	101	140	170	EXT 42zx3mx30	130	140	205	INT 42zx3mx30
542	542	199	428	137	280	110	160	210	EXT 30zx5mx30	170	170	250	INT 30zx5mx30
543	542	219	428	181	353	82	170	210	EXT 30zx5mx30	170	170	250	INT 30zx5mx30
695	695	200	445	237	353	129	190	260	EXT 36zx5mx30	200	200	307	INT 36zx5mx30
696	695	230	445	237	353	129	200	260	EXT 36zx5mx30	200	200	307	INT 36zx5mx30

机型号 size	E _Z	G ₀	G ₁	G ₂	G ₃	h	J Ø	M Ø	N Øf7	N ₀ Øf7	Q	Q ₀ Ø	重量 weight
445	110	152	227	362	227	485	270	415	385	260	13	40	430
446	110	152	227	362	227	494.5	270	415	385	260	13	40	443
542	120	224	279	427	279	536	270	503	460	300	13	32	658
543	120	224	279	437	279	570	270	503	460	300	13	32	749
695	140	-	152	318	152	724	376	635	560	-	20	-	1285
696	140	-	152	333	152	754	376	635	560	-	20	-	1373

机型号 size	G							P _m						
	电机规格/motor frame							电机规格/motor frame						
	100	112	132	160	180	200	225	100	112	132	160	180	200	225
445	286	286	340	340	340			250	250	300	350	350		
446	286	286	340	384	384			250	250	300	350	350		
542		286	340	384	384				250	300	350	350		
543			340	384	384	384				300	350	350	400	
695			406	460	460	460	490			300	350	350	400	450
696			406	460	460	460	490			300	350	350	400	450

安装位置及油量(L)

Mounting positions and oil quantity(L)

B5	B51	V1	规格 size	B5,B53	B51	B52	V1,V3
				445	13.1	21	13.1
446	13.6	21	13.6	24			
542	16.9	26	16.9	30			
543	21	33	21	37			
695	29	46	29	51			
696	33	51	33	58			



技术参数

同轴式轴输入行星减速机技术参数

TECHNICAL DATA

Technical data for in line gear reducer





技术参数

TECHNICAL DATA

同轴轴输入减速器额定输出转矩

Coaxial gear reducer nominal output torque

级数 stage	i _N	机型号/Gear reducer size															
		200	201	240	241	280	353	354	355	428	429	445	446	542	543	695	696
		MN ₂ N.m															
1E	3.15	1120	1830	2420	3840	5050	6310	8260	11000	12400	15700	17700	25500	36600	46000	90300	91700
	3.55	1230	1930	2600	3860	5420	6580	8640	11500	13300	16700	20600	26600	39200	47900	74300	84800
	4.0	1300	1950	2620	3900	5100	6590	8610	11500	13500	16900	21000	28000	39000	48000	74900	83900
	4.5	1270	1860	2530	3370	5500	6320	8170	10900	12700	16000	19400	25900	39200	48000	72900	80900
	5.0	1220	1780	2440	3280	4770	6180	7860	10500	12700	14500	18800	25000	30900	37500	71200	86100
	5.6	920		1840		3640	4690			9540		13630					
	6.3	830		1600		3290	4130			8850		12150					
	7.1	730		1230		2220	3330			7980		9970					
	8.0	560		1010		2160	2440			6070		7490					
	9.0	500		880		1700	2140			4350		6740					
	10.0	400		830		1630	1700			4810		5340					
	11.2	360		620		1320	1260			2900		3820					
12.5	310		530		910	1100			2460		3370						
2E	12.5	1300	1950	2620	3900	5100	6590	8610	11500	13500	16900	21000	28000	39000	48000	74900	83900
	15.0	1300	1950	2620	3900	5100	6590	8610	11500	13500	16900	21000	28000	39000	48000	74900	83900
	18.0	1300	1950	2620	3900	5100	6590	8610	11500	13500	16900	21000	28000	39000	48000	74900	83900
	20.0	1300	1950	2620	3900	5100	6590	8610	11500	13500	16900	21000	28000	39000	48000	74900	83900
	21.2	1300	1950	2620	3900	5100	6590	8610	11500	13500	16900	21000	28000	39000	48000	74900	83900
	25.0	1300	1950	2620	3900	5100	6590	8610	11500	13500	16900	21000	28000	39000	48000	74900	83900
	28.0	1300	1950	2620	3900	5100	6590	8610	11500	13500	16900	21000	28000	39000	48000	74900	83900
	30.0	1220	1780	2440	3280	4770	6180	7860	10500	12700	14500	18800	25000	30900	37500	71200	86100
	35.5	1220	1780	2440	3280	4770	6180	7860	10500	12700	14500	18800	25000	30900	37500	71200	86100
	42.5	1220	1780	2440	3280	4770	6180	7860	10500	12700							
50.0	1220	1780	2440	3280													
3E	42.5					5100	6590	8610	11500	13500	16900	21000	28000	39000			
	50.0	1300	1950	2620	3900	5100	6590	8610	11500	13500	16900	21000	28000	39000	48000	74900	83900
	60.0	1300	1950	2620	3900	5100	6590	8610	11500	13500	16900	21000	28000	39000	48000	74900	83900
	71.0	1300	1950	2620	3900	5100	6590	8610	11500	13500	16900	21000	28000	39000	48000	74900	83900
	85.0	1300	1950	2620	3900	5100	6590	8610	11500	13500	16900	21000	28000	39000	48000	74900	83900
	100	1300	1950	2620	3900	5100	6590	8610	11500	13500	16900	21000	28000	39000	48000	74900	83900
	125	1300	1950	2620	3900	5100	6590	8610	11500	13500	16900	21000	28000	39000	48000	74900	83900



技术参数

TECHNICAL DATA

同轴轴输入减速器技术参数

Coaxial gear reducer technical data

级数 stage	i N	机型号/Gear reducer size															
		200	201	240	241	280	353	354	355	428	429	445	446	542	543	695	696
		MN2 N.m															
3E	150	1300	1950	2620	3900	5100	6590	8610	11500	13500	16900	21000	28000	39000	48000	74900	83900
	180	1300	1950	2620	3900	5100	6590	8610	11500	13500	16900	21000	28000	39000	48000	74900	83900
	212	1300	1950	2620	3900	5100	6590	8610	11500	13500	16900	21000	28000	39000	48000	74900	83900
	250	1300	1950	2620	3900	5100	6590	8610	11500	13500	16900	21000	28000	39000			
	300	1300	1950	2620	3900	5100	6590	8610	11500	13500							
	355	1220	1780	2440	3280	4770	6180	7860									
	425	1220	1780	2440	3280												
4E	212										16900	21000	28000	39000	48000	74900	83900
	250					5100	6590	8610	11500	13500	16900	21000	28000	39000	48000	74900	83900
	300			2620	3900	5100	6590	8610	11500	13500	16900	21000	28000	39000	48000	74900	83900
	355			2620	3900	5100	6590	8610	11500	13500	16900	21000	28000	39000	48000	74900	83900
	425			2620	3280	4770	6180	7860	10500	12700	14500	18800	24960	30888	37500	71200	86100
	500			2440	3900	5100	6590	8610	11500	13500	16900	21000	28000	39000	48000	74900	83900
	600			2620	3900	5100	6590	8610	11500	13500	16900	21000	28000	39000	48000	74900	83900
	710			2620	3900	5100	6590	8610	11500	13500	16900	21000	28000	39000	48000	74900	83900
	850			2620	3900	5100	6590	8610	11500	13500	16900	21000	28000	39000	48000	74900	83900
	1000			2620	3900	5100	6590	8610	11500	13500	16900	21000	28000	39000	48000	74900	83900
	1250			2620	3900	5100	6590	8610	11500	13500	16900	21000	28000	39000	48000	74900	83900
	1500			2620	3900	5100	6590	8610	11500	13500	16900	21000	28000	39000	48000	74900	83900
	1800			2620	3280	4770	6180	7860	10500	12700	14500	18800	24960	37500			
	2120			2440	3280	4770	6180	7860	10500	12700	14500						
	2500			2440	3280	4770	6180	7860	10500	12700							
3000			2440	3280	4770	6180	7860										

注意!

建议按以下步骤选用减速器:

确定使用输出转速 n_2 , 确定使用输出功率 P_2 , 按以下公式
计算减速器使用转矩 M_2 :

$$M_2 = \frac{P_2 \times 9550}{n_2}$$

确定安全系数 f_s , 见第8页

按 $M_2 \times f_s \leq MN_2$ 确定机型号

校核 $n_2 \times i_N \leq n_1$, 见第6页

校核热功率 $P_t \leq P_{tN}$, 见第6,7页

ATTENTION!

Selecting gear reducer is advised performing following step:

confirm the output speed n_2 (using speed) and output power (using power) P_2 , perform following formula to calculate torque.

$$M_2 = \frac{P_2 \times 9550}{n_2}$$

confirm service factor f_s , see page 8

perform formula $M_2 \times f_s \leq MN_2$ to confirm gear motor size

verify $n_2 \times i_N \leq n_1$, see page 6

verify thermal power $R \leq P_{tN}$, see page 6,7



安装尺寸

行星减速机

1级行星减速

同轴传动

规格 200~353

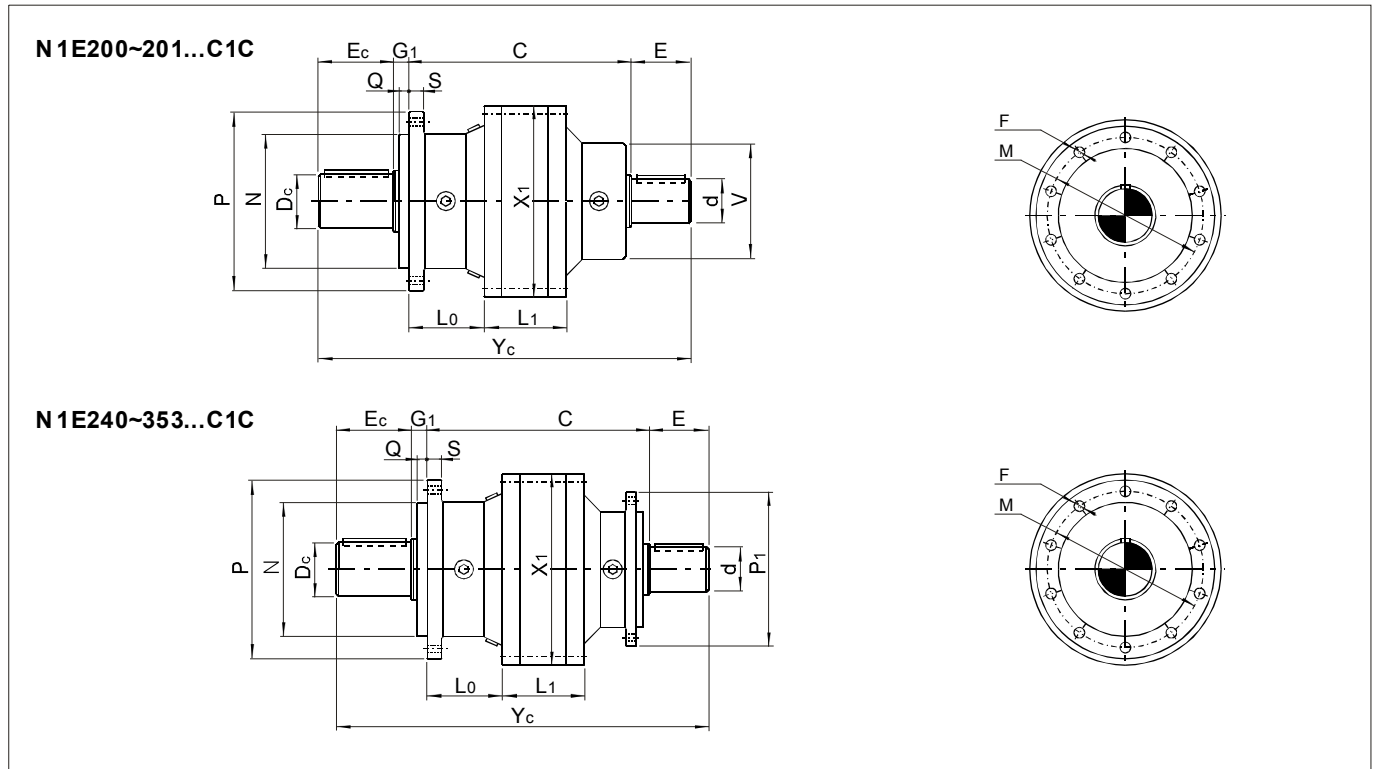
Mounting dimensions

planetary gear reducer

1 stage planetary gear

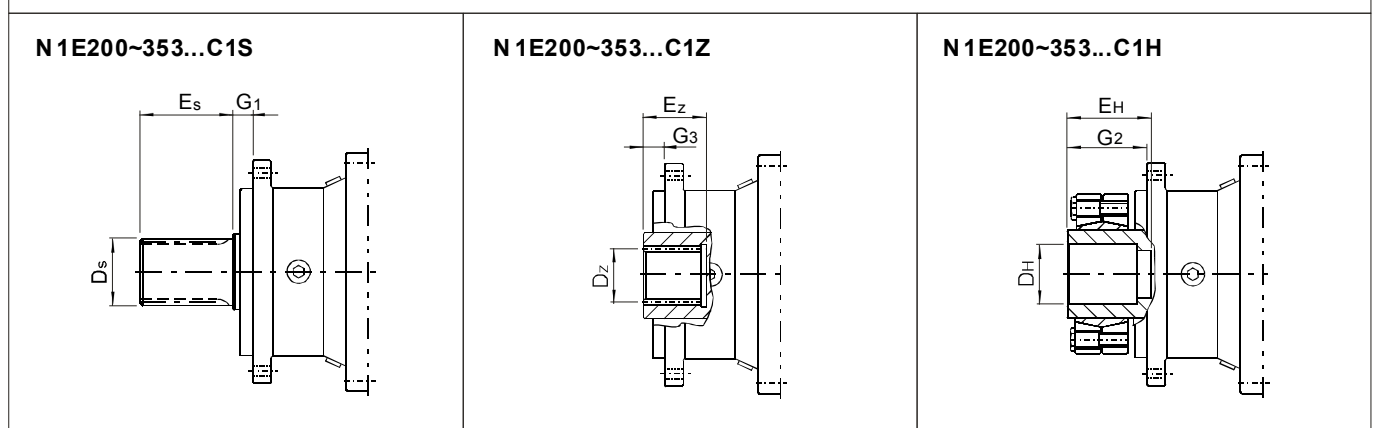
in line transmission

size 200~353



其它轴伸形式

Other shaft ends



- 1) 输入轴输出轴详细尺寸见第152页;
- 2) 外花键详细尺寸见第152页;
- 3) 内花键详细尺寸见第153页;
- 4) 空心轴带胀紧套详细尺寸见第153页;
- 5) 输出法兰详细尺寸见第151页;
- 6) 可附加底脚, 详细尺寸见第154页;

- 1) for input side details, see page 152;
- 2) for splined shaft details, see page 152;
- 3) for splined hollow shaft details, see page 153;
- 4) for hollow shaft with shrink disk details, see page 153;
- 5) for output flange details, see page 151;
- 6) can add foot on output flange, the details on page 154.



安装尺寸
行星减速机
1级行星减速
同轴传动
规格 200~353

Mounting dimensions
bevel-planetary gear reducer
1 stage planetary gear
in line transmission
size 200~353

机型号 size	X ₁ Ø	L ₁	C	d Ø	E	D _C Ø	E _C	D _S	E _S	D _H Ø	E _H	D _Z
200	200	49	165	28	58	42	82	EXT 24zx2mx30	55	50	72	INT 24zx2mx30
201	200	61	40	28	58	50	82	EXT 24zx2mx30	55	50	72	INT 24zx2mx30
240	240	63	256	60	82	65	105	EXT 28zx2mx30	68	75	100	INT 28zx2mx30
241	240	78	271	65	105	65	105	EXT 28zx2mx30	68	75	100	INT 28zx2mx30
280	280	72	384	65	105	80	130	EXT 34zx2mx30	90	85	145	INT 34zx2mx30
353	353	92	380	80	130	90	130	EXT 40zx2mx30	90	100	140	INT 40zx2mx30

机型号 size	E _Z	G ₁	G ₂	G ₃	L ₀	M Ø	N Øf7	Q	P Ø	S	P ₁ Ø	V Ø	Y _C	重量 weight
200	42.5	6	50	6	62.5	165	110	5	185	12	-	124	311	21
201	42.5	6	56	6	62.5	165	110	5	185	12	-	124	323	24
240	54	15	85	15	89	195	150	14	220	18	220	-	458	43
241	54	15	85	15	89	195	150	14	220	18	220	-	496	48
280	82	40	115	40	142	250	200	15	280	22	220	-	632	87
353	85	36	120	36	124	295	230	10	325	25	220	-	676	138

安装位置及油量(L)

Mounting positions and oil quantity(L)

规格 size	油量(L)	
	B5	V1, V3
200	0.45	0.8
201	0.65	1.1
240	0.95	1.7
241	1.25	2.2
280	2.0	3.2
353	3.0	5.5



安装尺寸

行星减速机

1级行星减速

同轴传动

规格 354~446

Mounting dimensions

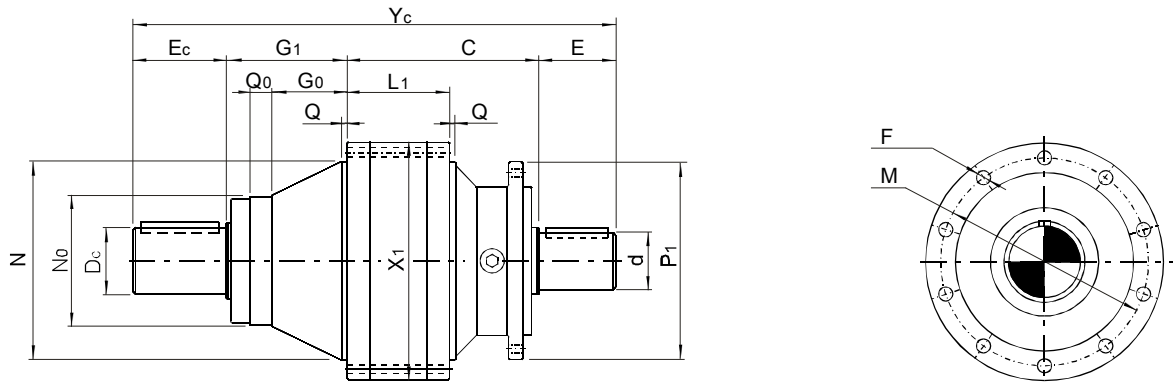
planetary gear reducer

1 stage planetary gear

in line transmission

size 354~446

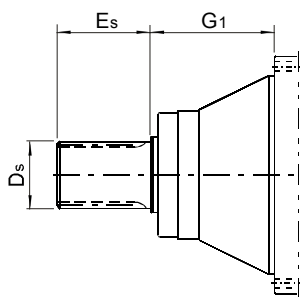
N 1E354-446...C2C



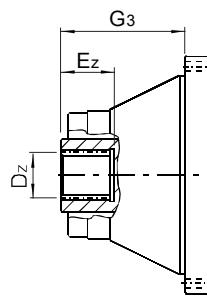
其它轴伸形式

Other shaft ends

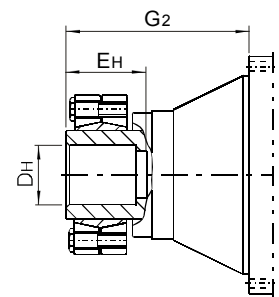
N 1E354-446...C2S



N 1E354-446...C2Z



N 1E354-446...C2H



- 1) 输入轴输出轴详细尺寸见第152页;
- 2) 外花键详细尺寸见第152页;
- 3) 内花键详细尺寸见第153页;
- 4) 空心轴带胀紧套详细尺寸见第153页;
- 5) 输出法兰详细尺寸见第151页;
- 6) 可附加底脚, 详细尺寸见第154页;

- 1) for input side details, see page 152;
- 2) for splined shaft details, see page 152;
- 3) for splined hollow shaft details, see page 153;
- 4) for hollow shaft with shrink disk details, see page 153;
- 5) for output flange details, see page 151;
- 6) can add foot on output flange, the details on page 154.



安装尺寸

行星减速机
1级行星减速
同轴传动
规格 354~446

Mounting dimensions

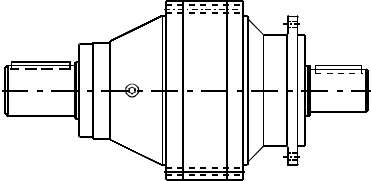
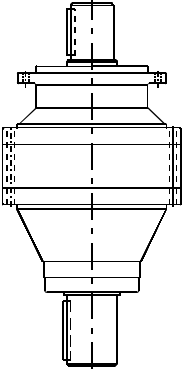
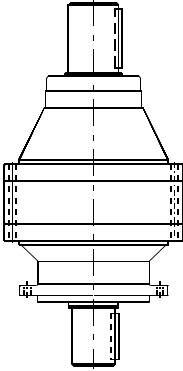
planetary gear reducer
1 stage planetary gear
in line transmission
size 354~446

机型号 size	X ₁ ∅	L ₁	C	d ∅	E	D _C ∅	E _C	D _S	E _S	D _H ∅	E _H	D _Z
354	353	138	408	80	130	100	130	EXT 29zx3mx30	90	110	160	INT 29zx3mx30
355	358	139	408	80	130	100	130	EXT 29zx3mx30	90	110	160	INT 29zx3mx30
428	428	140	397	80	130	110	165	EXT 39zx3mx30	130	130	180	INT 39zx3mx30
429	428	184	425	90	170	120	165	EXT 39zx3mx30	130	130	180	INT 39zx3mx30
445	445	175	436	90	170	130	170	EXT 42zx3mx30	130	140	205	INT 42zx3mx30
446	445	175	436	90	170	140	170	EXT 42zx3mx30	130	140	205	INT 42zx3mx30

机型号 size	E _Z	G ₀	G ₁	G ₂	G ₃	M ∅	N ∅f7	N ₀ ∅f7	Q	Q ₀	P ₁ ∅	Y _C	重量 weight
354	75	72	141	235	141	314	278	225	8.5	25	280	810	170
355	75	72	141	235	141	314	278	225	8.5	25	280	810	183
428	107	135	210	320	210	390	358	230	10	40	280	902	255
429	107	135	210	320	210	390	358	230	10	40	325	970	301
445	110	152	227	362	227	415	385	260	13	40	325	1003	369
446	110	152	227	362	227	415	385	260	13	40	325	1003	369

安装位置及油量(L)

Mounting positions and oil quantity(L)

B5	V1	V3	规格/size	B5	V1,V3
					
			355	5.6	9.8
			428	6.6	11.6
			429	8.6	15.1
			445	10.7	18.7
			446	10.7	18.7

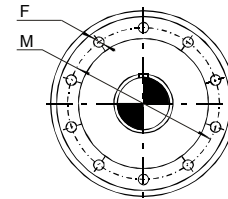
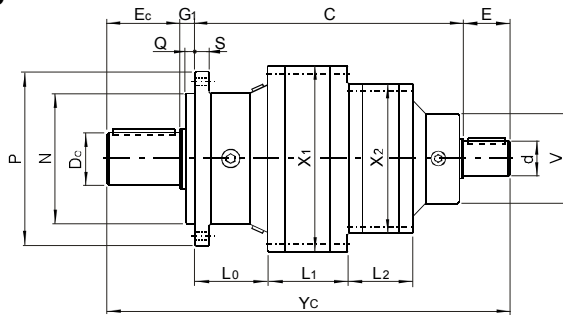


安装尺寸
行星减速机
2级行星减速
同轴传动
规格 200~353

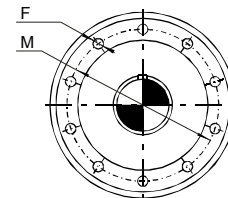
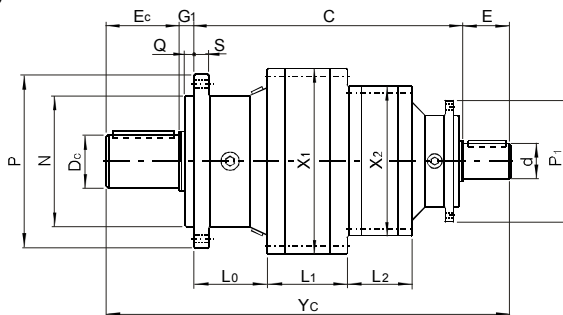
Mounting dimensions

planetary gear reducer
2 stage planetary gear
in line transmission
size 200~353

N 2E200~241...C1C



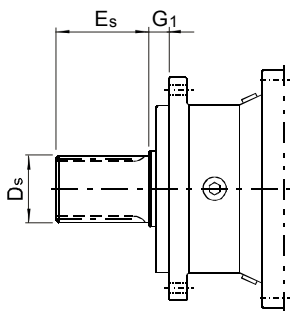
N 2E280~353...C1C



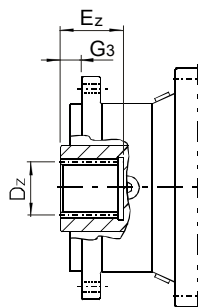
其它轴伸形式

Other shaft ends

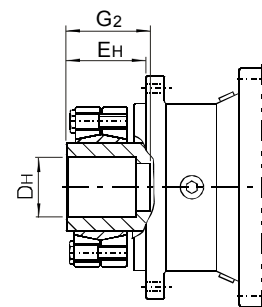
N 2E200~353...C1S



N 2E200~353...C1Z



N 2E200~353...C1H



- 1) 输入轴输出轴详细尺寸见第152页;
- 2) 外花键详细尺寸见第152页;
- 3) 内花键详细尺寸见第153页;
- 4) 空心轴带胀紧套详细尺寸见第153页;
- 5) 输出法兰详细尺寸见第151页;
- 6) 可附加底脚, 详细尺寸见第154页;

- 1) for input side details, see page 152;
- 2) for splined shaft details, see page 152;
- 3) for splined hollow shaft details, see page 153;
- 4) for hollow shaft with shrink disk details, see page 153;
- 5) for output flange details, see page 151;
- 6) can add foot on output flange, the details on page 154.



安装尺寸

行星减速机
2级行星减速
同轴传动
规格 200~353

Mounting dimensions

planetary gear reducer
2 stage planetary gear
in line transmission
size 200~353

机型号 size	X ₁ ∅	L ₁	X ₂ ∅	L ₂	C	d ∅	E	D _C ∅	E _C	D _S	E _S	D _H ∅	E _H	D _Z
200	200	49	200	48	213	28	58	42	82	EXT 24zx2mx30	55	50	72	INT 24zx2mx30
201	200	61	200	48	225	28	58	50	82	EXT 24zx2mx30	55	50	72	INT 24zx2mx30
240	240	63	200	48	284	28	58	65	105	EXT 28zx2mx30	68	75	100	INT 28zx2mx30
241	240	78	200	60	311	40	58	65	105	EXT 28zx2mx30	68	75	100	INT 28zx2mx30
280	280	72	240	80	398	48	82	80	130	EXT 34zx2mx30	90	85	145	INT 34zx2mx30
353	353	92	240	76	395	48	82	90	130	EXT 40zx2mx30	90	100	140	INT 40zx2mx30

机型号 size	E _Z	G ₁	G ₂	G ₃	L ₀	M ∅	N ∅f7	Q	P ∅	S	P ₁ ∅	V ∅	Y _C	重量 weight
200	42.5	6	50	6	62.5	165	110	5	185	12	-	124	359	29
201	42.5	6	56	6	62.5	165	110	5	185	12	-	124	371	32
240	54	15	85	15	89	195	150	14	220	18	-	124	462	51
241	54	15	85	15	89	195	150	14	220	18	-	124	489	59
280	82	40	115	40	142	250	200	15	280	22	220	-	650	102
353	85	36	120	36	124	295	230	10	325	25	220	-	643	153

安装位置及油量(L)

Mounting positions and oil quantity(L)

规格 size	油量	
	B5	V1, V3
200	0.9	1.6
201	1.1	1.9
240	1.4	2.5
241	1.9	3.3
280	2.8	4.9
353	4.1	7.2



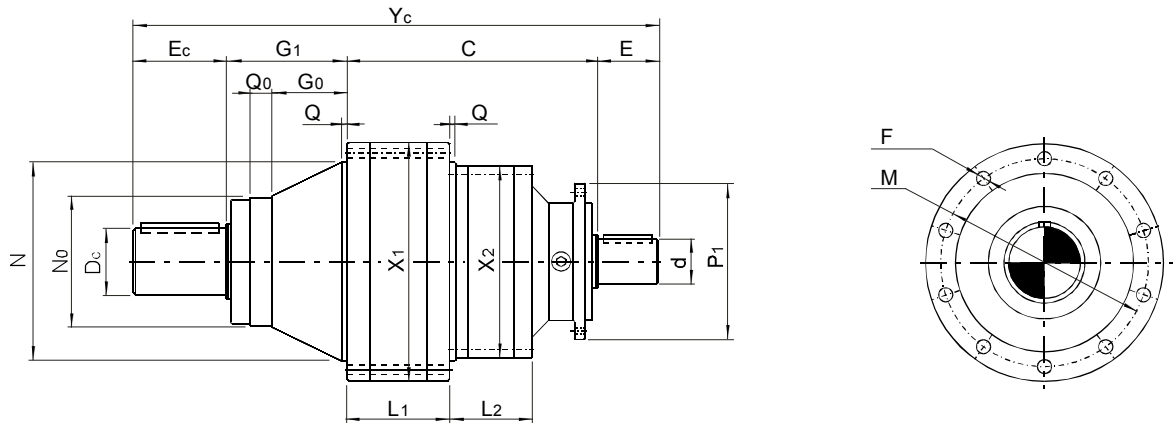
安装尺寸

行星减速机
2级行星减速
同轴传动
规格 354~696

Mounting dimensions

planetary gear reducer
2 stage planetary gear
in line transmission
size 354~696

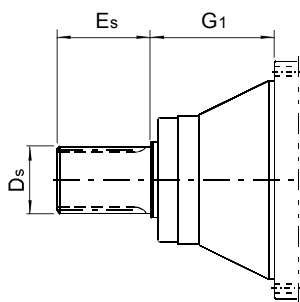
N 2E354~696...C2C



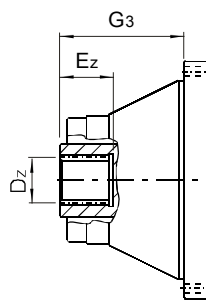
其它轴伸形式

Other shaft ends

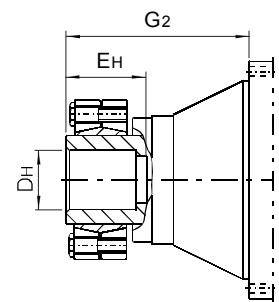
N 2E354~696...C2S



N 2E354~696...C2Z



N 2E354~696...C2H



- 1) 输入轴输出轴详细尺寸见第152页;
- 2) 外花键详细尺寸见第152页;
- 3) 内花键详细尺寸见第153页;
- 4) 空心轴带胀紧套详细尺寸见第153页;
- 5) 输出法兰详细尺寸见第151页;
- 6) 可附加底脚, 详细尺寸见第154页;

- 1) for input side details, see page 152;
- 2) for splined shaft details, see page 152;
- 3) for splined hollow shaft details, see page 153;
- 4) for hollow shaft with shrink disk details, see page 153;
- 5) for output flange details, see page 151;
- 6) can add foot on output flange, the details on page 154.



安装尺寸
行星减速机
2级行星减速
同轴传动
规格 354~696

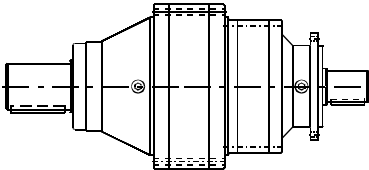
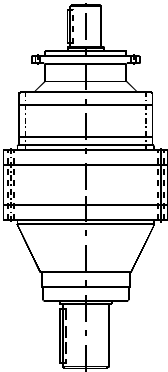
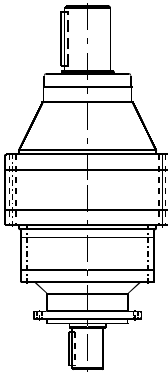
Mounting dimensions
planetary gear reducer
2 stage planetary gear
in line transmission
size 354~696

机型号 size	X ₁ ∅	L ₁	X ₂ ∅	L ₂	C	d ∅	E	D _C ∅	E _C	D _S	E _S	D _H ∅	E _H	D _Z
354	353	138	240	79	320	60	105	100	130	EXT 29zx3mx30	90	110	160	INT 29zx3mx30
355	353	139	280	104	413	60	105	100	130	EXT 29zx3mx30	90	110	160	INT 29zx3mx30
428	428	140	280	113	424	65	105	110	165	EXT 39zx3mx30	130	130	180	INT 39zx3mx30
429	428	184	353	82	430	65	105	120	165	EXT 39zx3mx30	130	130	180	INT 39zx3mx30
445	445	175	353	129	573	80	130	130	170	EXT 42zx3mx30	130	140	205	INT 42zx3mx30
446	445	175	353	129	573	80	130	140	170	EXT 42zx3mx30	130	140	205	INT 42zx3mx30
542	542	199	428	159	615	80	130	160	210	EXT 30zx5mx30	170	170	250	INT 30zx5mx30
543	542	219	428	181	641	90	170	170	210	EXT 30zx5mx30	170	170	250	INT 30zx5mx30
695	695	200	445	237	698	90	170	190	260	EXT 36zx5mx30	200	200	307	INT 36zx5mx30
696	695	230	445	237	728	90	170	200	260	EXT 36zx5mx30	200	200	307	INT 36zx5mx30

机型号 size	E _Z	G ₀	G ₁	G ₂	G ₃	M ∅	N ∅f7	N ₀ ∅f7	Q	Q ₀	P ₁ ∅	Y _C	重量 weight
354	75	72	141	235	141	314	278	225	8.5	25	220	696	170
355	75	72	141	235	141	314	278	225	8.5	25	220	696	183
428	107	135	210	320	210	390	358	230	10	40	220	904	255
429	107	135	210	320	210	390	358	230	10	40	220	910	301
445	110	152	227	362	227	415	385	260	13	40	280	1100	369
446	110	152	227	362	227	415	385	260	13	40	280	1100	369
542	120	224	279	427	279	503	460	300	13	32	280	1234	588
543	120	224	279	437	279	503	460	300	13	32	325	1300	699
695	140	-	152	318	152	635	560	-	20	-	325	1280	1125
696	140	-	152	333	152	635	560	-	20	-	325	1310	1213

安装位置及油量(L)

Mounting positions and oil quantity(L)

B5	V1	V3	规格/size	B5	V1,V3
					
			355	5.6	9.8
			428	6.6	11.6
			429	8.6	15.1
			445	10.7	18.7
			446	10.7	18.7
			542	14	25
			543	17.2	30
			695	22	39
			696	26	46



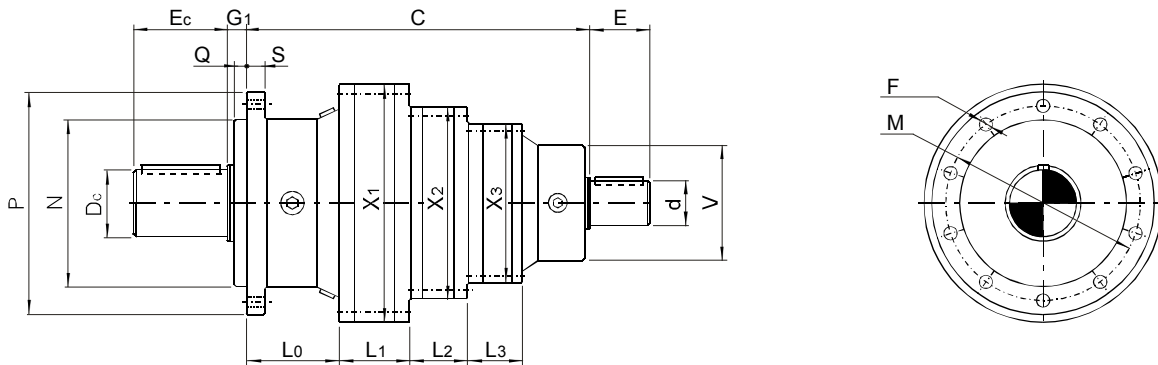
安装尺寸

行星减速机
3级行星减速
同轴传动
规格 200~353

Mounting dimensions

planetary gear reducer
3 stage planetary gear
in line transmission
size 200~353

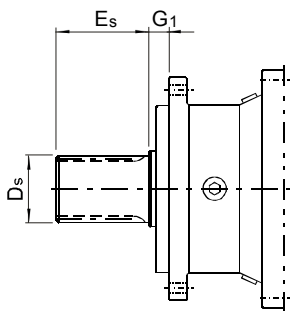
N3E200~353...C1C



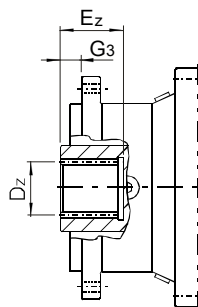
其它轴伸形式

Other shaft ends

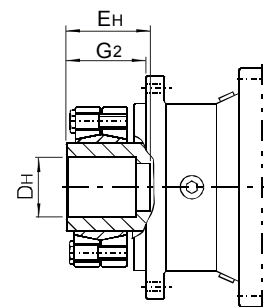
N 3E200~353...C1S



N 3E200~353...C1Z



N 3E200~353...C1H



- 1) 输入轴输出轴详细尺寸见第152页;
- 2) 外花键详细尺寸见第152页;
- 3) 内花键详细尺寸见第153页;
- 4) 空心轴带胀紧套详细尺寸见第153页;
- 5) 输出法兰详细尺寸见第151页;
- 6) 可附加底脚,详细尺寸见第154页;

- 1) for input side details, see page 152;
- 2) for splined shaft details, see page 152;
- 3) for splined hollow shaft details, see page 153;
- 4) for hollow shaft with shrink disk details, see page 153;
- 5) for output flange details, see page 151;
- 6) can add foot on output flange, the details on page 154.



安装尺寸
行星减速机
3级行星减速
同轴传动
规格 200~353

Mounting dimensions

planetary gear reducer
3 stage planetary gear
in line transmission
size 200~353

机型号 size	X ₁ Ø	L ₁	X ₂ Ø	L ₂	X ₃ Ø	L ₃	C	d Ø	E	D _C Ø	E _C	D _S	E _S	D _H Ø	E _H
200	200	49	200	50	200	48	263	28	58	42	82	EXT 24zx2mx30	55	50	72
201	200	61	200	50	200	48	275	28	58	50	82	EXT 24zx2mx30	55	50	72
240	240	63	200	50	200	48	303	28	58	65	105	EXT 28zx2mx30	68	75	100
241	240	78	200	62	200	48	330	28	58	65	105	EXT 28zx2mx30	68	75	100
280	280	72	240	72	200	48	418	40	58	80	130	EXT 34zx2mx30	90	85	145
353	353	92	240	67	200	60	427.5	40	58	90	130	EXT 40zx2mx30	90	100	140

机型号 size	D _Z	E _Z	G ₁	G ₂	G ₃	L ₀	M Ø	N Øf7	Q	P Ø	S	V Ø	Y _C	重量 weight
200	INT 24zx2mx30	42.5	6	50	6	62.5	165	110	5	185	12	124	409	37
201	INT 24zx2mx30	42.5	6	56	6	62.5	165	110	5	185	12	124	421	39
240	INT 28zx2mx30	54	15	85	15	89	195	150	14	220	18	124	481	56
241	INT 28zx2mx30	54	15	85	15	89	195	150	14	220	18	124	508	64
280	INT 34zx2mx30	82	40	115	40	142	250	200	15	280	22	124	646	95
353	INT 40zx2mx30	85	36	120	36	124	295	230	10	325	25	124	652	150

安装位置及油量(L)

Mounting positions and oil quantity(L)

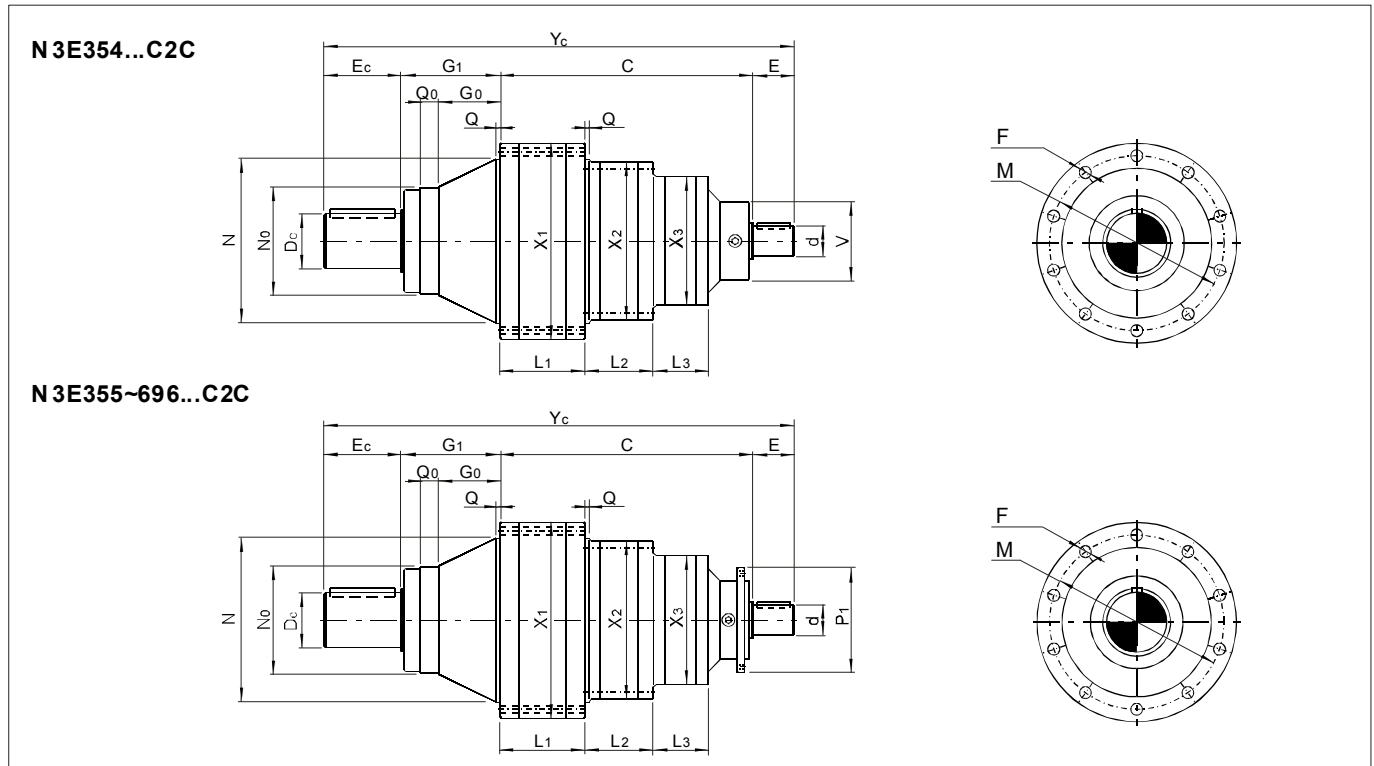
规格 size	B5	V1,V3
200	1.3	2.3
201	1.5	2.6
240	1.8	3.2
241	2.3	4.0
280	3.2	5.6
353	4.7	8.2



安装尺寸
行星减速机
3级行星减速
同轴传动
规格 354~696

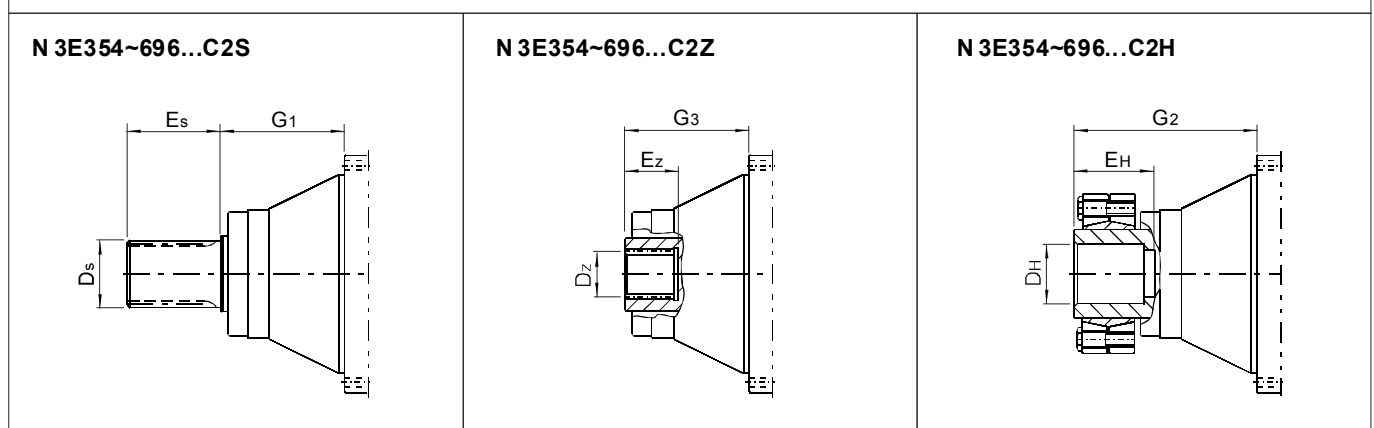
Mounting dimensions

planetary gear reducer
3 stage planetary gear
in line transmission
size 354~696



其它轴伸形式

Other shaft ends



- 1) 输入轴输出轴详细尺寸见第152页;
- 2) 外花键详细尺寸见第152页;
- 3) 内花键详细尺寸见第153页;
- 4) 空心轴带胀紧套详细尺寸见第153页;
- 5) 输出法兰详细尺寸见第151页;
- 6) 可附加底脚, 详细尺寸见第154页;

- 1) for input side details, see page 152;
- 2) for splined shaft details, see page 152;
- 3) for splined hollow shaft details, see page 153;
- 4) for hollow shaft with shrink disk details, see page 153;
- 5) for output flange details, see page 151;
- 6) can add foot on output flange, the details on page 154.



安装尺寸
行星减速机
3级行星减速
同轴传动
规格 354~696

Mounting dimensions

planetary gear reducer
3 stage planetary gear
in line transmission
size 354~696

机型号 size	X ₁ Ø	L ₁	X ₂ Ø	L ₂	X ₃ Ø	L ₃	C	d Ø	E	D _C Ø	E _C	D _S	E _S	D _H Ø	E _H
354	353	138	240	70	200	60	352.5	40	58	100	130	EXT 29zx3mx30	90	110	160
355	353	139	280	104	240	67	413.5	48	82	100	130	EXT 29zx3mx30	90	110	160
428	428	140	280	113	240	67	424	48	82	110	165	EXT 39zx3mx30	130	130	180
429	428	184	353	82	240	75	445	48	82	120	165	EXT 39zx3mx30	130	130	180
445	445	175	353	128	240	79	485	60	105	130	170	EXT 42zx3mx30	130	140	205
446	445	175	353	128	280	104	578.5	60	105	140	170	EXT 42zx3mx30	130	140	205
542	542	199	428	137	280	113	620	65	105	160	210	EXT 30zx5mx30	170	170	250
543	542	219	428	181	353	82	646	65	105	170	210	EXT 30zx5mx30	170	170	250
695	695	200	445	237	353	129	835.5	80	130	190	260	EXT 36zx5mx30	200	200	307
696	695	230	445	237	353	129	865.5	80	130	200	260	EXT 36zx5mx30	200	200	307

机型号 size	Dz	Ez	G ₀	G ₁	G ₂	G ₃	M Ø	N Øf7	N ₀ Øf7	Q	Q ₀	P ₁ Ø	V Ø	Y _C	重量 weight
354	INT 29zx3mx30	75	72	141	235	141	314	278	225	8.5	25	-	124	682	166
355	INT 29zx3mx30	75	72	141	235	141	314	278	225	8.5	25	220	-	767	196
428	INT 39zx3mx30	107	135	210	320	210	390	358	230	10	40	220	-	881	267
429	INT 39zx3mx30	107	135	210	320	210	390	358	230	10	40	220	-	902	318
445	INT 42zx3mx30	110	152	227	362	227	415	385	260	13	40	220	-	987	373
446	INT 42zx3mx30	110	152	227	362	227	415	385	260	13	40	220	-	1081	386
542	INT 30zx5mx30	120	224	279	427	279	503	460	300	13	32	220	-	1214	605
543	INT 30zx5mx30	120	224	279	437	279	503	460	300	13	32	220	-	1240	696
695	INT 36zx5mx30	140	-	152	318	152	635	560	-	20	-	280	-	1378	1152
696	INT 36zx5mx30	140	-	152	333	152	635	560	-	20	-	280	-	1408	1240

安装位置及油量(L)

Mounting positions and oil quantity(L)

B5	V1	V3	规格/size	B5	V1,V3
			354	5.7	10
			355	6.4	11.2
			428	7.4	13
			429	9.7	17
			445	11.8	21
			446	12.3	22
			542	15.6	27
			543	19.6	34
			695	25	44
			696	29	51

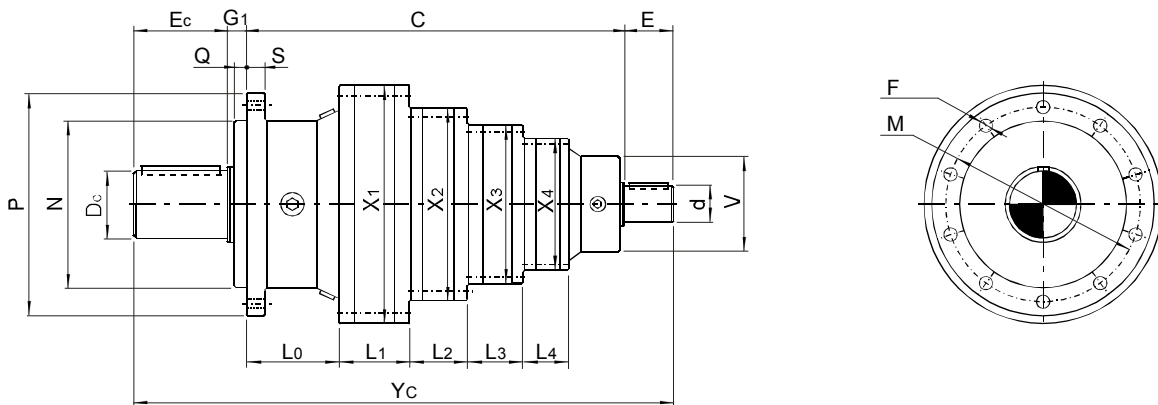


安装尺寸
行星减速机
4级行星减速
同轴传动
规格 200~353

Mounting dimensions

planetary gear reducer
4 stage planetary gear
in line transmission
size 200~353

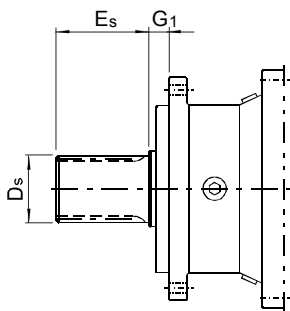
N4E200~353...C1C



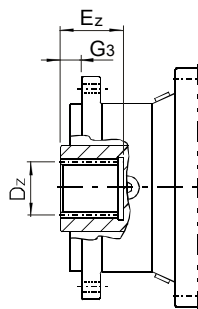
其它轴伸形式

Other shaft ends

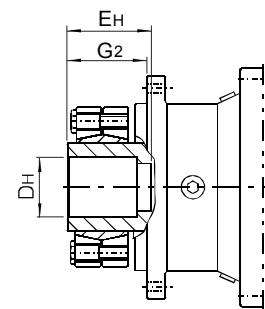
N 4E200~353...C1S



N 4E200~353...C1Z



N 4E200~353...C1H



- 1) 输入轴输出轴详细尺寸见第152页;
- 2) 外花键详细尺寸见第152页;
- 3) 内花键详细尺寸见第153页;
- 4) 空心轴带胀紧套详细尺寸见第153页;
- 5) 输出法兰详细尺寸见第151页;
- 6) 可附加底脚, 详细尺寸见第154页;

- 1) for input side details, see page 152;
- 2) for splined shaft details, see page 152;
- 3) for splined hollow shaft details, see page 153;
- 4) for hollow shaft with shrink disk details, see page 153;
- 5) for output flange details, see page 151;
- 6) can add foot on output flange, the details on page 154.



安装尺寸

行星减速机
4级行星减速
同轴传动
规格 200~353

Mounting dimensions

planetary gear reducer
4 stage planetary gear
in line transmission
size 200~353

机型号 size	X ₁ Ø	L ₁	X ₂ Ø	L ₂	X ₃ Ø	L ₃	X ₄ Ø	L ₄	C	d Ø	E	D _C Ø	E _C	D _S	E _S	D _H Ø	E _H
240	240	63	200	50	200	50	200	48	303	28	58	65	105	EXT 28zx2mx30	68	75	100
241	240	78	200	62	200	50	200	48	330	28	58	65	105	EXT 28zx2mx30	68	75	100
280	280	72	240	72	200	50	200	48	437	28	58	80	130	EXT 34zx2mx30	90	85	145
353	353	92	240	67	200	60	200	50	446.5	28	58	90	130	EXT 40zx2mx30	90	100	140

机型号 size	D _Z	E _Z	G ₁	G ₂	G ₃	L ₀	M Ø	N Øf7	Q	P Ø	S	V Ø	Y _C	重量 weight
240	INT 28zx2mx30	54	15	85	15	89	195	150	14	220	18	124	531	63
241	INT 28zx2mx30	54	15	85	15	89	195	150	14	220	18	124	558	71
280	INT 34zx2mx30	82	40	115	40	142	250	200	15	280	22	124	665	100
353	INT 40zx2mx30	85	36	120	36	124	295	230	10	325	25	124	671	155

安装位置及油量(L)

Mounting positions and oil quantities(L)

规格 size	B5	V1,V3
	240	2.2
241	2.7	4.7
280	3.6	6.3
353	5.1	8.9

B5

V1

V3



安装尺寸

行星减速机

4级行星减速

同轴传动

规格 354~445

Mounting dimensions

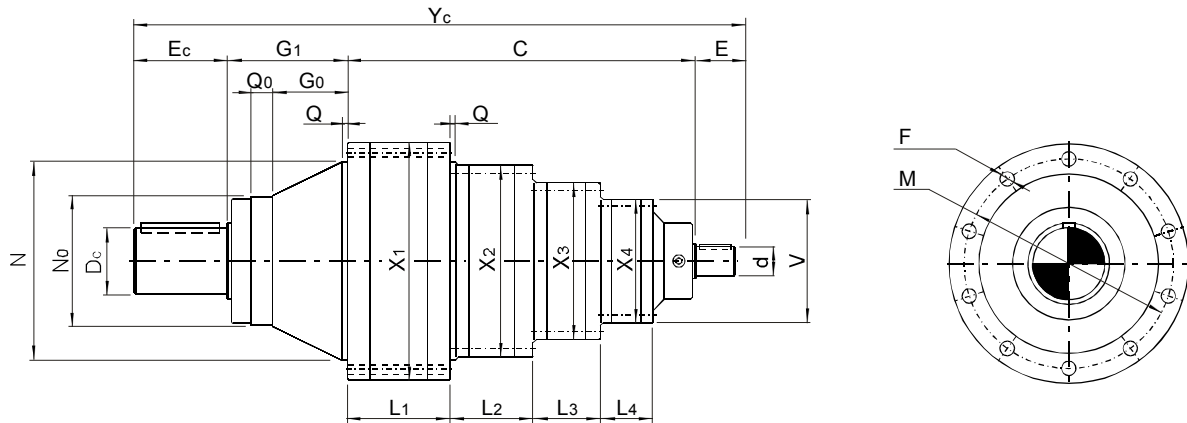
planetary gear reducer

4 stage planetary gear

in line transmission

size 354~445

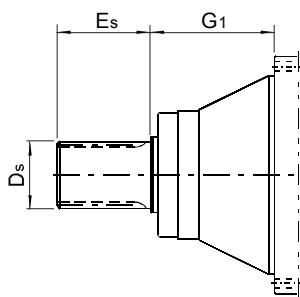
N4E354~445...C2C



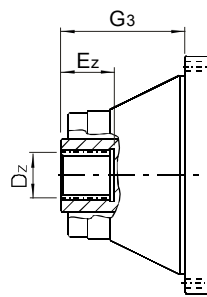
其它轴伸形式

Other shaft ends

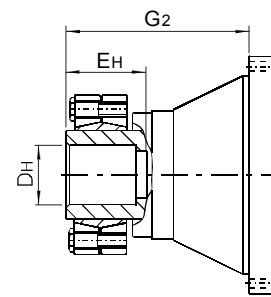
N 4E354~445...C2S



N 4E354~445...C2Z



N 4E354~445...C2H



- 1) 输入轴输出轴详细尺寸见第152页;
- 2) 外花键详细尺寸见第152页;
- 3) 内花键详细尺寸见第153页;
- 4) 空心轴带胀紧套详细尺寸见第153页;
- 5) 输出法兰详细尺寸见第151页;
- 6) 可附加底脚,详细尺寸见第154页;

- 1) for input side details, see page 152;
- 2) for splined shaft details, see page 152;
- 3) for splined hollow shaft details, see page 153;
- 4) for hollow shaft with shrink disk details, see page 153;
- 5) for output flange details, see page 151;
- 6) can add foot on output flange, the details on page 154.



安装尺寸

行星减速机

4级行星减速

同轴传动

规格 354~445

Mounting dimensions

planetary gear reducer

4 stage planetary gear

in line transmission

size 354~445

机型号 size	X ₁ Ø	L ₁	X ₂ Ø	L ₂	X ₃ Ø	L ₃	X ₄ Ø	L ₄	C	d Ø	E	D _C Ø	E _C	D _S	E _S	D _H Ø	E _H
354	353	138	240	70	200	60	200	50	371.5	28	58	100	130	EXT 29zx3mx30	90	110	160
355	353	139	280	104	240	58	200	48	433.5	40	58	100	130	EXT 29zx3mx30	90	110	160
428	428	140	280	113	240	58	200	48	444	40	58	110	165	EXT 39zx3mx30	130	130	180
429	428	184	353	82	240	67	200	60	477	40	58	120	165	EXT 39zx3mx30	130	130	180
445	445	175	353	128	240	70	200	60	517	40	58	130	170	EXT 42zx3mx30	130	140	205

机型号 size	D _Z	E _Z	G ₀	G ₁	G ₂	G ₃	M Ø	N Øf7	N ₀ Øf7	Q	Q ₀	P ₁ Ø	V Ø	Y _C	重量 weight
354	INT 29zx3mx30	75	72	141	235	141	314	278	225	8.5	25	-	124	701	170
355	INT 29zx3mx30	75	72	141	235	141	314	278	225	8.5	25	-	124	763	183
428	INT 39zx3mx30	107	135	210	320	210	390	358	230	10	40	-	124	877	255
429	INT 39zx3mx30	107	135	210	320	210	390	358	230	10	40	-	124	910	301
445	INT 42zx3mx30	110	152	227	362	227	415	385	260	13	40	-	124	972	369

安装位置及油量(L)

Mounting positions and oil quantity(L)

B5	V1	V3	规格/size	B5	V1,V3
			354	6.1	10.7
355	6.8	11.9			
428	7.8	13.7			
429	10.3	18			
445	12.4	22			
446	13.1	23			
542	16.4	29			
543	21	36			
695	27	47			
696	31	54			

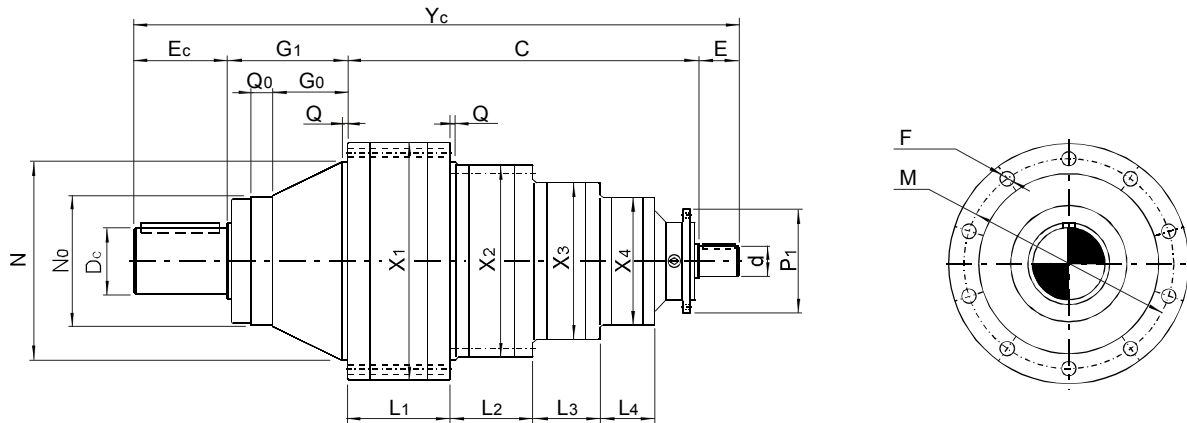


安装尺寸
行星减速机
4级行星减速
同轴传动
规格 446~696

Mounting dimensions

planetary gear reducer
4 stage planetary gear
in line transmission
size 446~696

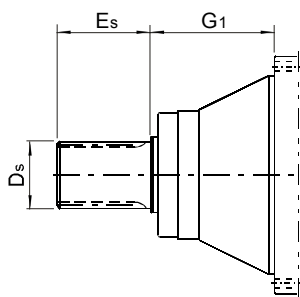
N4E446~696...C2C



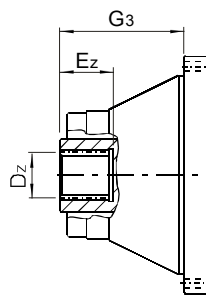
其它轴伸形式

Other shaft ends

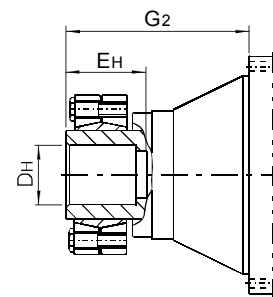
N 4E446~696...C2S



N 4E446~696...C2Z



N 4E446~696...C2H



- 1) 输入轴输出轴详细尺寸见第152页;
- 2) 外花键详细尺寸见第152页;
- 3) 内花键详细尺寸见第153页;
- 4) 空心轴带胀紧套详细尺寸见第153页;
- 5) 输出法兰详细尺寸见第151页;
- 6) 可附加底脚,详细尺寸见第154页;

- 1) for input side details, see page 152;
- 2) for splined shaft details, see page 152;
- 3) for splined hollow shaft details, see page 153;
- 4) for hollow shaft with shrink disk details, see page 153;
- 5) for output flange details, see page 151;
- 6) can add foot on output flange, the details on page 154.



安装尺寸

行星减速机
4级行星减速
同轴传动
规格 446~696

Mounting dimensions

planetary gear reducer
4 stage planetary gear
in line transmission
size 446~696

机型号 size	X ₁ Ø	L ₁	X ₂ Ø	L ₂	X ₃ Ø	L ₃	X ₄ Ø	L ₄	C	d Ø	E	D _C Ø	E _C	D _S	E _S	D _H Ø	E _H
446	445	175	353	129	280	104	240	68	578.5	48	82	140	170	EXT 42x3mx30	130	140	205
542	542	199	428	159	280	113	240	67	620	48	82	160	210	EXT 30x5mx30	170	170	250
543	542	219	428	181	353	82	240	75	661	48	82	170	210	EXT 30x5mx30	170	170	250
695	695	200	445	237	353	129	280	104	840	60	105	190	260	EXT 36x5mx30	200	200	307
696	695	230	445	237	353	129	280	104	870	60	105	200	260	EXT 36x5mx30	200	200	307

机型号 size	D _Z	E _Z	G ₀	G ₁	G ₂	G ₃	M Ø	N Øf7	N ₀ Ø	Q	Q ₀	P ₁ Ø	V Ø	Y _C	重量 weight
446	INT42x3mx30	110	152	227	362	227	415	385	260	13	40	220	-	1081	369
542	INT 30x5mx30	120	224	279	427	279	503	460	300	13	32	220	-	1214	588
543	INT 30x5mx30	120	224	279	437	279	503	460	300	13	32	220	-	1240	699
695	INT 36x5mx30	140	-	152	318	152	635	560	-	20	-	220	-	1378	1125
696	INT 36x5mx30	140	-	152	333	152	635	560	-	20	-	220	-	1408	1213

安装位置及油量(L)

Mounting positions and oil quantity(L)

B5	V1	V3	规格/size	B5	V1,V3
			446	13.1	23
542	16.4	29			
543	21	36			
695	27	47			
696	31	54			



技术参数

转角式轴输入行星减速机技术参数

TECHNICAL DATA

Technical data for right angle gear reducer





技术参数

TECHNICAL DATA

转角轴输入减速器技术参数

Right angle gear reducer technical data

级数 stage	i _N	机型号/Gear reducer size															
		200	201	240	241	280	353	354	355	428	429	445	446	542	543	695	696
		MN2 N.m															
CE	10.0	1300	1950	2620	3900	5100	6590	8610	11500	13500	16900	21000	28000	39000	48000	74900	83900
	12.5	1300	1950	2620	3900	5100	6590	8610	11500	13500	16900	21000	28000	39000	48000	74900	83900
	15.0	1300	1950	2620	3900	5100	6590	8610	11500	13500	16900	21000	28000	39000	48000	74900	83900
	18.0	1300	1950	2620	3900	5100	6590	8610	11500	13500	16900	21000	28000	39000	48000	74900	83900
	21.2	1300	1950	2620	3900	5100	6590	8610	11500	13500	16900	21000	28000	39000	48000	74900	83900
	25.0	1300	1950	2620	3900	5100	6590	8610	11500	13500	16900	21000	28000	39000	48000	74900	83900
	30.0	1300	1950	2620	3900	5100	6590	8610	11500	13500	16900	21000	28000	39000	48000	74900	83900
	35.5	1300	1950	2620	3900	5100	6590	8610	11500	13500	16900	21000	28000	39000	48000	74900	83900
C2E	35.5	1300	1950	2620	3900	5100	6590	8610	11500	13500	16900	21000	28000	39000	48000	74900	83900
	42.5	1300	1950	2620	3900	5100	6590	8610	11500	13500	16900	21000	28000	39000	48000	74900	83900
	50	1300	1950	2620	3900	5100	6590	8610	11500	13500	16900	21000	28000	39000	48000	74900	83900
	60	1300	1950	2620	3900	5100	6590	8610	11500	13500	16900	21000	28000	39000	48000	74900	83900
	71	1300	1950	2620	3900	5100	6590	8610	11500	13500	16900	21000	28000	39000	48000	74900	83900
	85	1300	1950	2620	3900	5100	6590	8610	11500	13500	16900	21000	28000	39000	48000	74900	83900
	100	1300	1950	2620	3900	5100	6590	8610	11500	13500	16900	21000	28000	39000	48000	74900	83900
	125	1300	1950	2620	3900	5100	6590	8610	11500	13500	16900	21000	28000	39000	48000	74900	83900
	150	1300	1950	2620	3900	5100	6590	8610	11500	13500	16900	21000	28000	39000	48000	74900	83900
	180	1300	1950	2620	3900	5100	6590	8610	11500	13500	16900	21000	28000	39000	48000	74900	83900
	212	1300	1950	2620	3900	5100	6590	8610	11500	13500	16900	21000	28000	39000	48000	74900	83900
	250	1300	1950	2620	3900	5100	6590	8610	11500	13500	16900	21000	28000	39000	48000	74900	83900
C3E	150	1300	1950	2620	3900	5100	6590	8610	11500	13500	16900	21000	28000	39000	48000	74900	83900
	180	1300	1950	2620	3900	5100	6590	8610	11500	13500	16900	21000	28000	39000	48000	74900	83900
	212	1300	1950	2620	3900	5100	6590	8610	11500	13500	16900	21000	28000	39000	48000	74900	83900
	250	1300	1950	2620	3900	5100	6590	8610	11500	13500	16900	21000	28000	39000	48000	74900	83900
	300	1300	1950	2620	3900	5100	6590	8610	11500	13500	16900	21000	28000	39000	48000	74900	83900
	355	1300	1950	2620	3900	5100	6590	8610	11500	13500	16900	21000	28000	39000	48000	74900	83900
	425	1300	1950	2620	3900	5100	6590	8610	11500	13500	16900	21000	28000	39000	48000	74900	83900
	500	1300	1950	2620	3900	5100	6590	8610	11500	13500	16900	21000	28000	39000	48000	74900	83900
	600	1300	1950	2620	3900	5100	6590	8610	11500	13500	16900	21000	28000	39000	48000	74900	83900
	710	1300	1950	2620	3900	5100	6590	8610	11500	13500	16900	21000	28000	39000	48000	74900	83900
	850	1300	1950	2620	3900	5100	6590	8610	11500	13500	16900	21000	28000	39000	48000	74900	83900
	1000	1300	1950	2620	3900	5100	6590	8610	11500	13500	16900	21000	28000	39000	48000	74900	83900
	1250	1300	1950	2620	3900	5100	6590	8610	11500	13500	16900	21000	28000	39000	48000	74900	83900
	1500	1300	1950	2620	3900	5100	6590	8610	11500	13500	16900	21000	28000	39000	48000	74900	83900
	1800	1300	1950	2620	3900	5100	6590	8610	11500	13500	16900	21000	28000	39000	48000	74900	83900
2120	1300	1950	2620	3900	5100	6590	8610	11500	13500	16900	21000	28000	39000	48000	74900	83900	



技术参数

转角轴输入减速器技术参数

注意!

建议按以下步骤选用减速器:

确定使用输出转速 n_2 , 确定使用输出功率 P_2 , 按以下公式

计算减速器使用转矩 M_2 :

$$M_2 = \frac{P_2 \times 9550}{n_2}$$

确定安全系数 f_s , 见第8页;

按 $M_2 \times f_s \leq M_{N2}$ 确定机型号;

校核 $n_2 \times i_N \leq n_1$, 见第6页;

校核热功率 $P_t \leq P_{tN}$, 见第6,7页.

TECHNICAL DATA

Right angle gear reducer technical data

ATTENTION!

Selecting gear reducer is advised performing following step:

confirm the output speed n_2 (using speed) and output power (using power) P_2 , perform following formula to calculate torque.

$$M_2 = \frac{P_2 \times 9550}{n_2}$$

confirm service factor f_s , see page 8;

perform formula $M_2 \times f_s \leq M_{N2}$ to confirm gear reducer size;

verify $n_2 \times i_N \leq n_1$, see page 6;

verify thermal power $R \leq P_{tN}$, see page 6,7

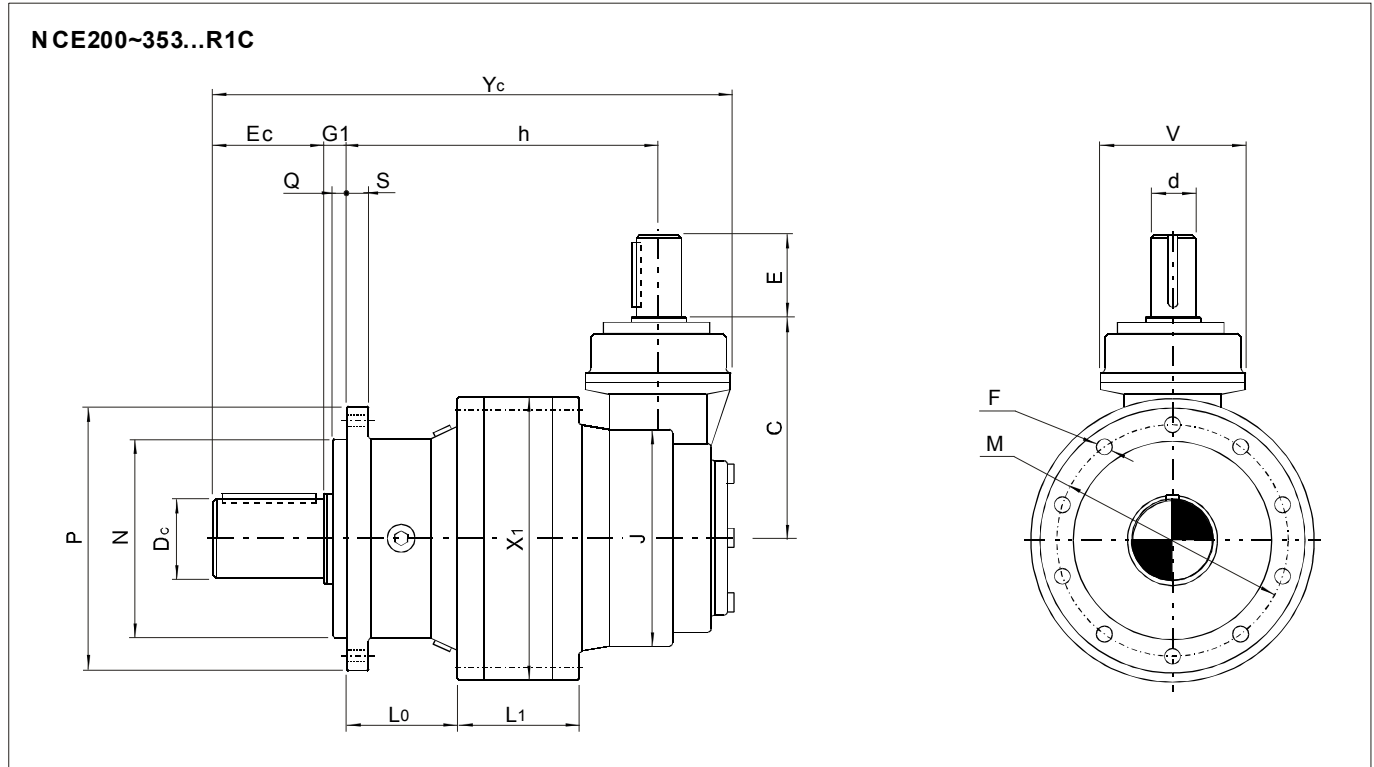


安装尺寸

螺旋伞齿-行星减速机
1级伞螺旋齿轮配1级行星齿轮
转角传动
规格 200~353

Mounting dimensions

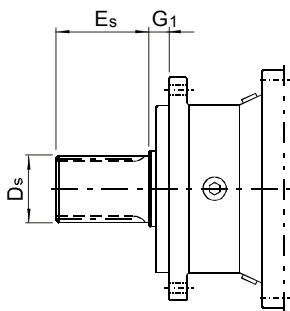
bevel-planetary gear reducer
1 bevel gear pair and 1 planetary gear
right angle transmission
size 200~353



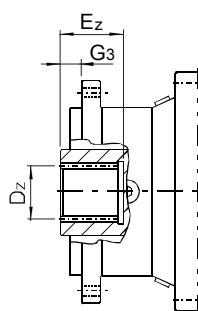
其它轴伸形式

Other shaft ends

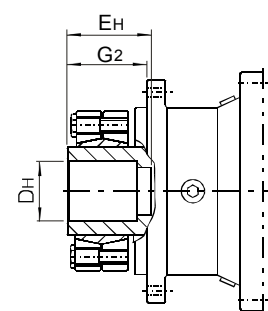
NCE200~353...R1S



NCE200~353...R1Z



NCE200~353...R1H



- 1) 输入轴输出轴详细尺寸见第152页;
- 2) 外花键详细尺寸见第152页;
- 3) 内花键详细尺寸见第153页;
- 4) 空心轴带胀紧套详细尺寸见第153页;
- 5) 输出法兰详细尺寸见第151页;
- 6) 可附加底脚, 详细尺寸见第154页;

- 1) for input side details, see page 152;
- 2) for splined shaft details, see page 152;
- 3) for splined hollow shaft details, see page 153;
- 4) for hollow shaft with shrink disk details, see page 153;
- 5) for output flange details, see page 151;
- 6) can add foot on output flange, the details on page 154.



安装尺寸

螺旋伞齿-行星减速机
1级伞螺旋齿轮配1级行星齿轮
转角传动
规格 200~353

Mounting dimensions

bevel-planetary gear reducer
1 bevel gear pair and 1 planetary gear
right angle transmission
size 200~353

机型号 size	X ₁ Ø	L ₁	C	d Ø	E	D _C Ø	E _C	D _S	E _S	D _H Ø	E _H	D _Z
200	200	65	172	32	58	42	82	EXT 24zx2mx30	55	50	72	INT 24zx2mx30
201	200	77	172	32	58	50	82	EXT 24zx2mx30	55	50	72	INT 24zx2mx30
240	240	63	172	32	58	65	105	EXT 28zx2mx30	68	75	100	INT 28zx2mx30
241	240	56	248	48	82	65	105	EXT 28zx2mx30	68	75	100	INT 28zx2mx30
280	280	82	248	48	82	80	130	EXT 34zx2mx30	90	85	145	INT 34zx2mx30
353	353	92	248	48	82	90	130	EXT 40zx2mx30	90	100	140	INT 40zx2mx30

机型号 size	E _Z	G ₁	G ₂	G ₃	L ₀	M Ø	N Øf7	Q	P Ø	S	J Ø	h	V Ø	Y _C	重量 weight
200	42.5	6	50	6	62.5	165	110	5	185	12	200	181.5	130	347	41
201	42.5	6	56	6	62.5	165	110	5	185	12	200	193.5	130	359	44
240	54	15	85	15	89	195	150	14	220	18	200	221.5	130	419	60
241	54	15	85	15	89	195	150	14	220	18	270	251.5	195	477	110
280	82	40	115	40	142	250	200	15	280	22	270	314	195	589	136
353	85	36	120	36	124	295	230	10	325	25	270	304.5	195	568	182

安装位置及油量(L)

Mounting positions and oil quantity(L)

B5	B51	V1	规格 size	B5,B53	B51	B52	V1,V3
			200	1	1.6	1	1.8
			201	1.2	1.9	1.2	2.1
			240	1.5	2.3	1.5	2.7
			241	2.6	4.3	2.6	4.8
			280	3.3	5.3	3.3	6
			353	4.3	6.7	4.3	7.8

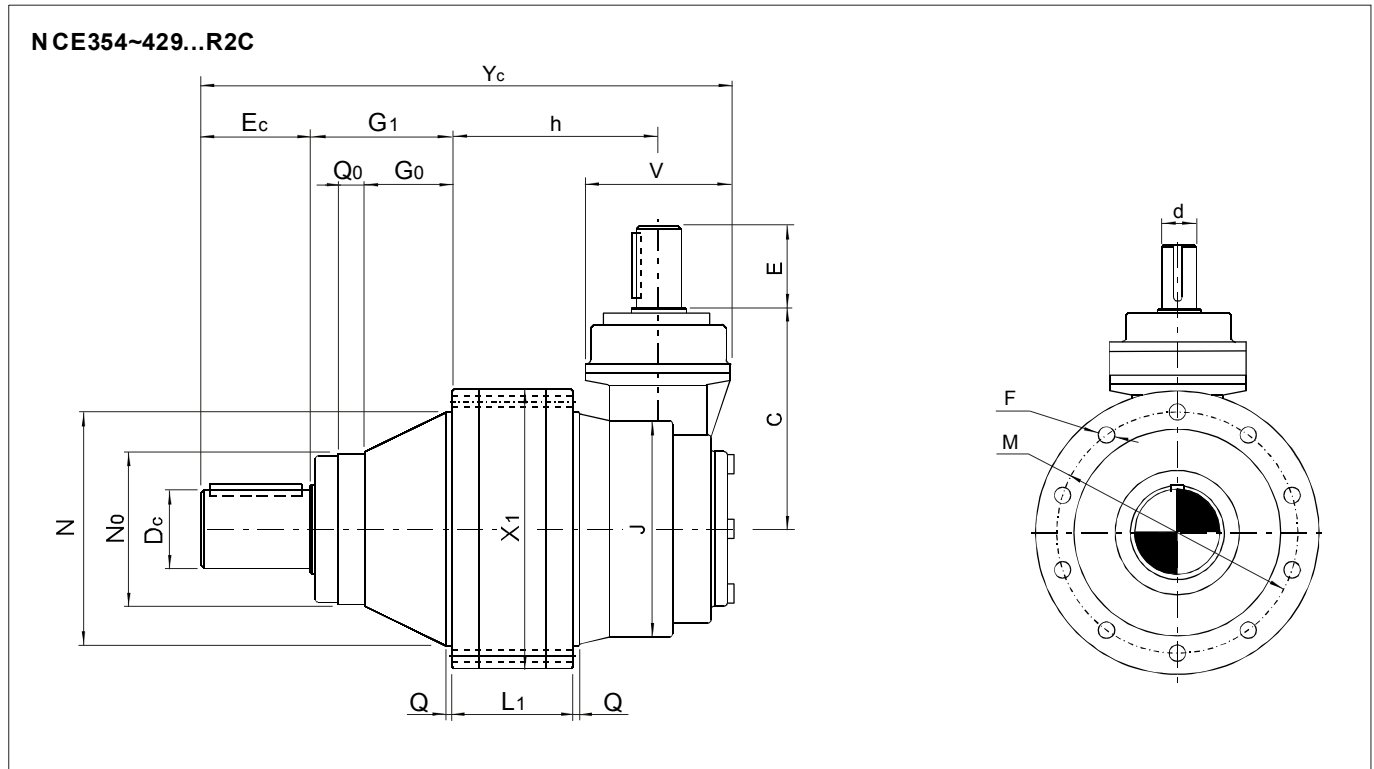


安装尺寸

螺旋伞齿-行星减速机
1级伞螺旋齿轮配1级行星齿轮
转角传动
规格 354~429

Mounting dimensions

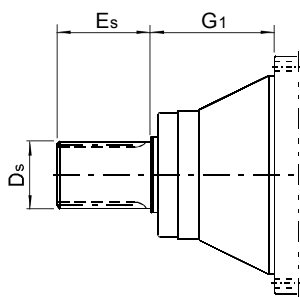
bevel-planetary gear reducer
1 bevel gear pair and 1 planetary gear
right angle transmission
size 354~429



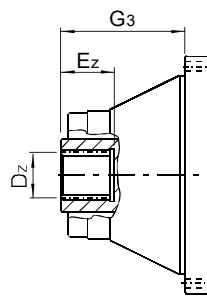
其它轴伸形式

Other shaft ends

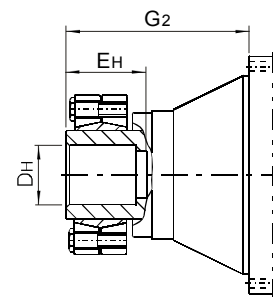
NCE354~429...R2S



NCE354~429...R2Z



NCE354~429...R2H



- 1) 输入轴输出轴详细尺寸见第152页;
- 2) 外花键详细尺寸见第152页;
- 3) 内花键详细尺寸见第153页;
- 4) 空心轴带胀紧套详细尺寸见第153页;
- 5) 输出法兰详细尺寸见第151页;
- 6) 可附加底脚, 详细尺寸见第154页;

- 1) for input side details, see page 152;
- 2) for splined shaft details, see page 152;
- 3) for splined hollow shaft details, see page 153;
- 4) for hollow shaft with shrink disk details, see page 153;
- 5) for output flange details, see page 151;
- 6) can add foot on output flange, the details on page 154.



安装尺寸

螺旋伞齿-行星减速机
1级伞螺旋齿轮配1级行星齿轮
转角传动
规格 354~429

Mounting dimensions

bevel-planetary gear reducer
1 bevel gear pair and 1 planetary gear
right angle transmission
size 354~429

机型号 size	X ₁ Ø	L ₁	C	d Ø	E	D _C Ø	E _C	D _S	E _S	D _H Ø	E _H	D _Z
354	353	138	248	48	82	100	130	EXT 29zx3mx30	90	110	160	INT 29zx3mx30
355	353	139	330	65	105	100	130	EXT 29zx3mx30	90	110	160	INT 29zx3mx30
428	428	162	330	65	105	110	165	EXT 39zx3mx30	130	130	180	INT 39zx3mx30
429	428	184	330	65	105	120	165	EXT 39zx3mx30	130	130	180	INT 39zx3mx30

机型号 size	E _Z	G ₀	G ₁	G ₂	G ₃	h	J Ø	M Ø	N Øf7	N ₀ Øf7	Q	Q ₀	V Ø	Y _C	重量 weight
354	75	72	141	235	141	221.5	270	314	278	225	8.5	25	195	598	198
355	75	72	141	235	141	297	376	314	278	225	8.5	25	250	713	289
428	107	135	210	320	210	310	376	390	358	230	10	40	250	820	353
429	107	135	210	320	210	332	376	390	358	230	10	40	250	852	353

安装位置及油量(L)

Mounting positions and oil quantity(L)

B5	B51	V1	规格 size	B5,B53	B51	B52	V1,V3
			354	5.3	8.1	5.3	9.5
B53 <td rowspan="2">B52 <td rowspan="2">V3 <td>355</td> <td>7.6</td> <td>12.8</td> <td>7.6</td> <td>14.2</td> </td></td>	B52 <td rowspan="2">V3 <td>355</td> <td>7.6</td> <td>12.8</td> <td>7.6</td> <td>14.2</td> </td>	V3 <td>355</td> <td>7.6</td> <td>12.8</td> <td>7.6</td> <td>14.2</td>	355	7.6	12.8	7.6	14.2
			428	8.6	14.2	8.6	16
			429	8.6	14.2	8.6	16

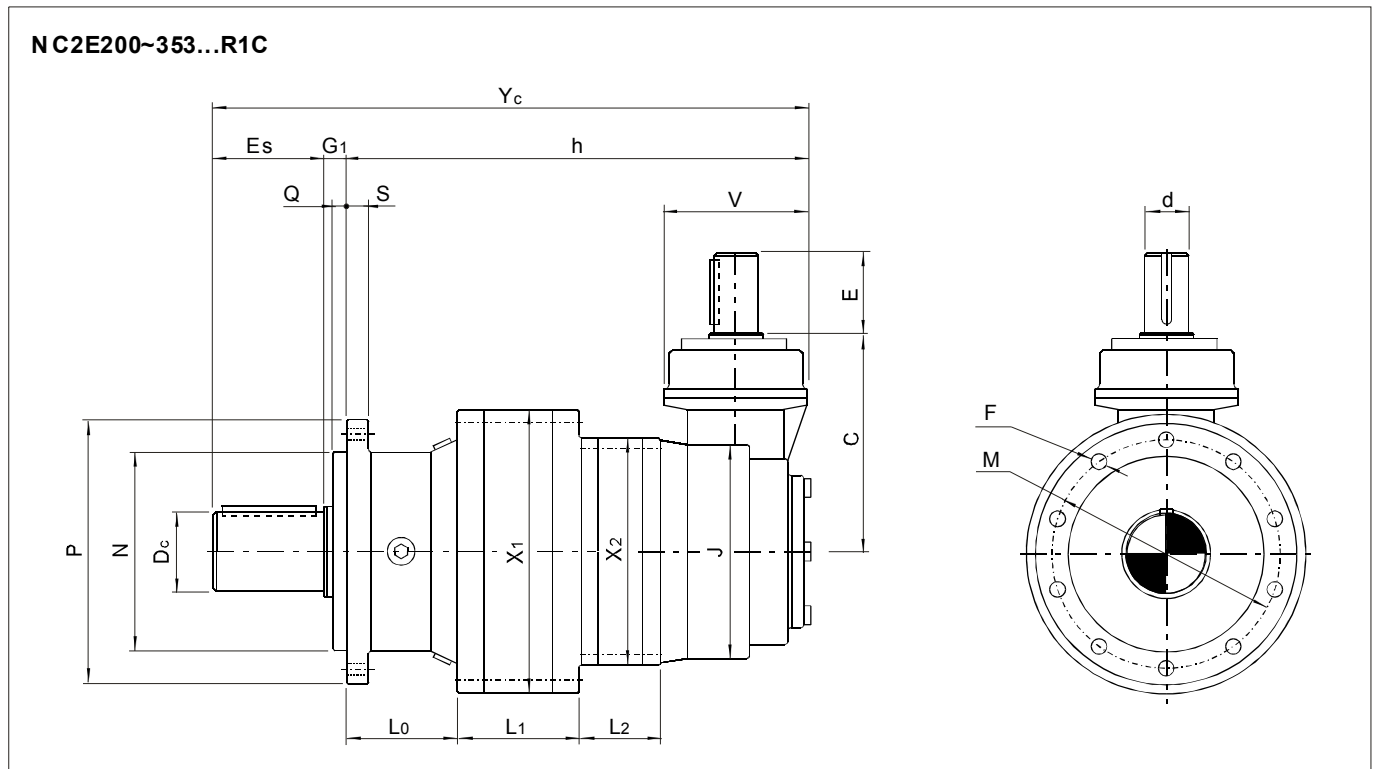


安装尺寸

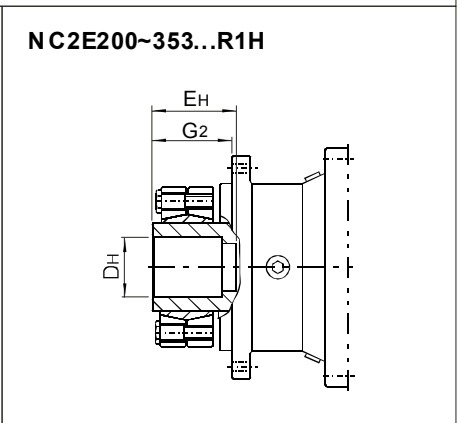
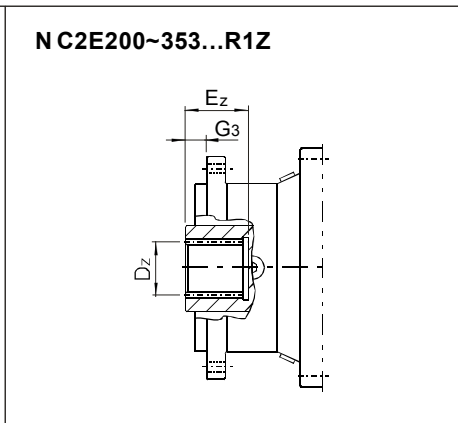
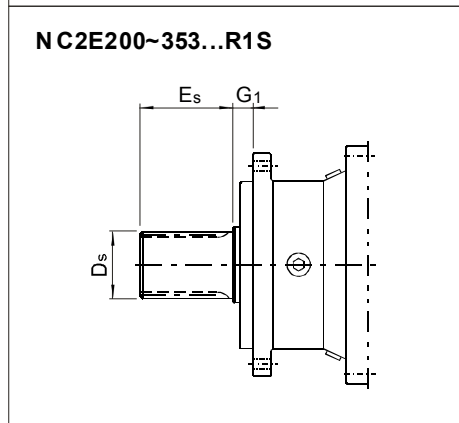
螺旋伞齿-行星减速机
1级伞螺旋齿轮配2级行星齿轮
转角传动
规格 200~353

Mounting dimensions

bevel-planetary gear reducer
1 bevel gear pair and 2 planetary gear
right angle transmission
size 200~353



其它轴伸形式 Other shaft ends



- | | |
|--|---|
| <ol style="list-style-type: none"> 1) 输入轴输出轴详细尺寸见第152页; 2) 外花键详细尺寸见第152页; 3) 内花键详细尺寸见第153页; 4) 空心轴带胀紧套详细尺寸见第153页; 5) 输出法兰详细尺寸见第151页; 6) 可附加底脚, 详细尺寸见第154页; | <ol style="list-style-type: none"> 1) for input side details, see page 152; 2) for splined shaft details, see page 152; 3) for splined hollow shaft details, see page 153; 4) for hollow shaft with shrink disk details, see page 153; 5) for output flange details, see page 151; 6) can add foot on output flange, the details on page 154. |
|--|---|



安装尺寸

螺旋伞齿-行星减速机
1级伞螺旋齿轮配2级行星齿轮
转角传动
规格 200~353

Mounting dimensions

bevel-planetary gear reducer
1 bevel gear pair and 2 planetary gear
right angle transmission
size 200~353

机型号 size	X ₁ ∅	L ₁	X ₂ ∅	L ₂	C	d ∅	E	D _C ∅	E _C	D _S	E _S	D _H ∅	E _H	D _Z
200	200	49	200	66	172	32	58	42	82	EXT 24zx2mx30	55	50	72	INT 24zx2mx30
201	200	61	200	66	172	32	58	50	82	EXT 24zx2mx30	55	50	72	INT 24zx2mx30
240	240	63	200	66	172	32	58	65	105	EXT 28zx2mx30	68	75	100	INT 28zx2mx30
241	240	78	200	78	172	32	58	65	105	EXT 28zx2mx30	68	75	100	INT 28zx2mx30
280	280	82	240	62	172	32	58	80	130	EXT 34zx2mx30	90	85	145	INT 34zx2mx30
353	353	92	240	67	172	32	58	90	130	EXT 40zx2mx30	90	100	140	INT 40zx2mx30

机型号 size	E _Z	G ₁	G ₂	G ₃	L ₀	M ∅	N ∅f7	Q	P ∅	S	J ∅	h	V ∅	Y _C	重量 weight
200	42.5	6	50	6	62.5	165	110	5	185	12	200	231.5	130	397	48
201	42.5	6	56	6	62.5	165	110	5	185	12	200	243.5	130	409	51
240	54	15	85	15	89	195	150	14	220	18	200	271.5	130	469	68
241	54	15	85	15	89	195	150	14	220	18	200	298.5	130	496	76
280	82	40	115	40	142	250	200	15	280	22	200	355.5	130	603	105
353	85	36	120	36	124	295	230	10	325	25	200	353	130	597	157

安装位置及油量(L)

Mounting positions and oil quantity(L)

B5	B51	V1	规格 size	B5,B53	B51	B52	V1,V3
			200	1.4	2.3	1.4	2.5
B53	B52	V3	201	1.6	2.6	1.6	2.8
			240	1.9	3	1.9	3.4
			241	2.4	3.8	2.4	4.2
			280	3.3	5.1	3.3	5.8
			353	4.6	7	4.6	8.1

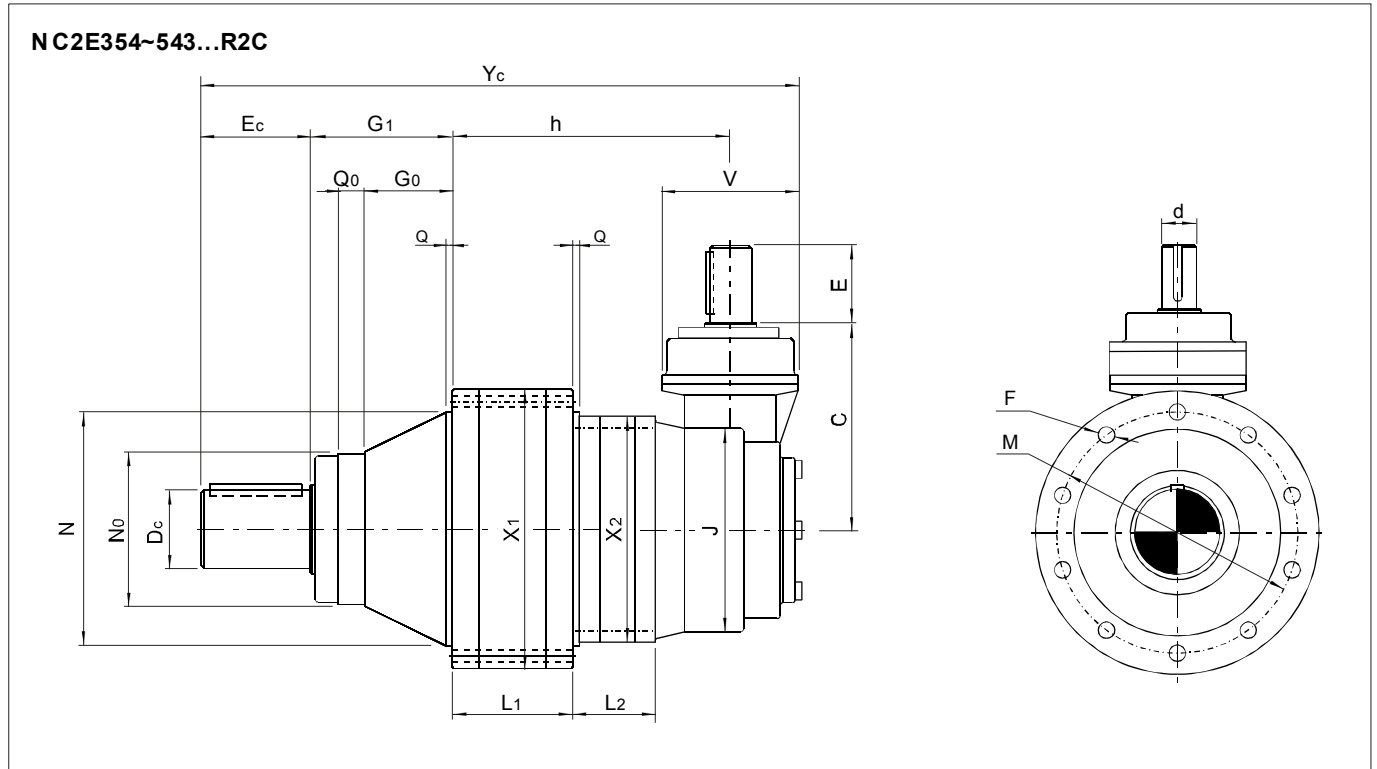


安装尺寸

螺旋伞齿-行星减速机
1级伞螺旋齿轮配2级行星齿轮
转角传动
规格 354~543

Mounting dimensions

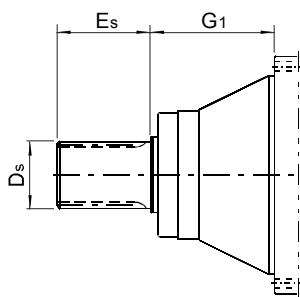
bevel-planetary gear reducer
1 bevel gear pair and 2 planetary gear
right angle transmission
size 354~543



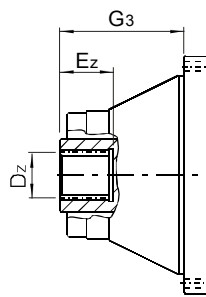
其它轴伸形式

Other shaft ends

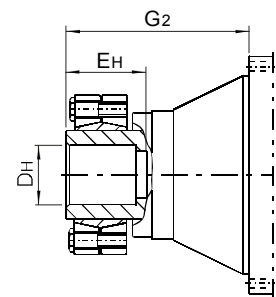
NC2E354~543...R2S



NC2E354~543...R2Z



NC2E354~543...R2H



- 1) 输入轴输出轴详细尺寸见第152页;
- 2) 外花键详细尺寸见第152页;
- 3) 内花键详细尺寸见第153页;
- 4) 空心轴带胀紧套详细尺寸见第153页;
- 5) 输出法兰详细尺寸见第151页;
- 6) 可附加底脚, 详细尺寸见第154页;

- 1) for input side details, see page 152;
- 2) for splined shaft details, see page 152;
- 3) for splined hollow shaft details, see page 153;
- 4) for hollow shaft with shrink disk details, see page 153;
- 5) for output flange details, see page 151;
- 6) can add foot on output flange, the details on page 154.



安装尺寸

螺旋伞齿-行星减速机
1级伞螺旋齿轮配2级行星齿轮
转角传动
规格 354~543

Mounting dimensions

bevel-planetary gear reducer
1 bevel gear pair and 2 planetary gear
right angle transmission
size 354~543

机型号 size	X ₁ Ø	L ₁	X ₂ Ø	L ₂	C	d Ø	E	D _C Ø	E _C	D _S	E _S	D _H Ø	E _H	D _Z
354	353	138	240	48	248	48	82	100	130	EXT 29zx3mx30	90	110	160	INT 29zx3mx30
355	353	139	280	101	248	48	82	100	130	EXT 29zx3mx30	90	110	160	INT 29zx3mx30
428	428	140	280	110	248	48	82	110	165	EXT 39zx3mx30	130	130	180	INT 39zx3mx30
429	428	184	353	82	248	48	82	120	165	EXT 39zx3mx30	130	130	180	INT 39zx3mx30
445	445	175	353	128	248	48	82	130	170	EXT 42zx3mx30	130	140	205	INT 42zx3mx30
446	445	175	353	128	330	65	105	140	170	EXT 42zx3mx30	130	140	205	INT 42zx3mx30
542	542	199	428	159	330	65	105	160	210	EXT 30zx5mx30	170	170	250	INT 32zx5mx30
543	542	219	428	181	330	65	105	170	210	EXT 30zx5mx30	170	170	250	INT 32zx5mx30

机型号 size	E _Z	G ₀	G ₁	G ₂	G ₃	h	J Ø	M Ø	N Øf7	N ₀ Øf7	Q	Q ₀	V Ø	Y _C	重量 weight
354	75	72	141	235	141	293	270	314	278	225	8.5	25	195	669	217
355	75	72	141	235	141	329.5	270	314	278	225	8.5	25	195	706	230
428	107	135	210	320	210	340	270	390	358	230	10	40	195	820	294
429	107	135	210	320	210	354	270	390	358	230	10	40	195	834	311
445	110	152	227	362	227	386	270	415	385	260	13	40	195	888	401
446	110	152	227	362	227	462	376	415	385	260	13	40	250	1004	492
542	120	224	279	427	279	506	376	503	460	300	13	32	250	1140	707
543	120	224	279	437	279	548	376	503	460	300	13	32	250	1182	781

安装位置及油量(L)

Mounting positions and oil quantity(L)

B5	B51	V1	规格 size	B5,B53	B51	B52	V1,V3
						354	6.4
			355	6.9	10.9	6.9	12.3
			428	7.9	12.3	7.9	14.1
			429	8.7	13.7	8.7	15.5
			445	12	18.6	12	21
			446	14.3	23	14.3	26
			542	17.6	28	17.6	32
			543	21	33	21	37

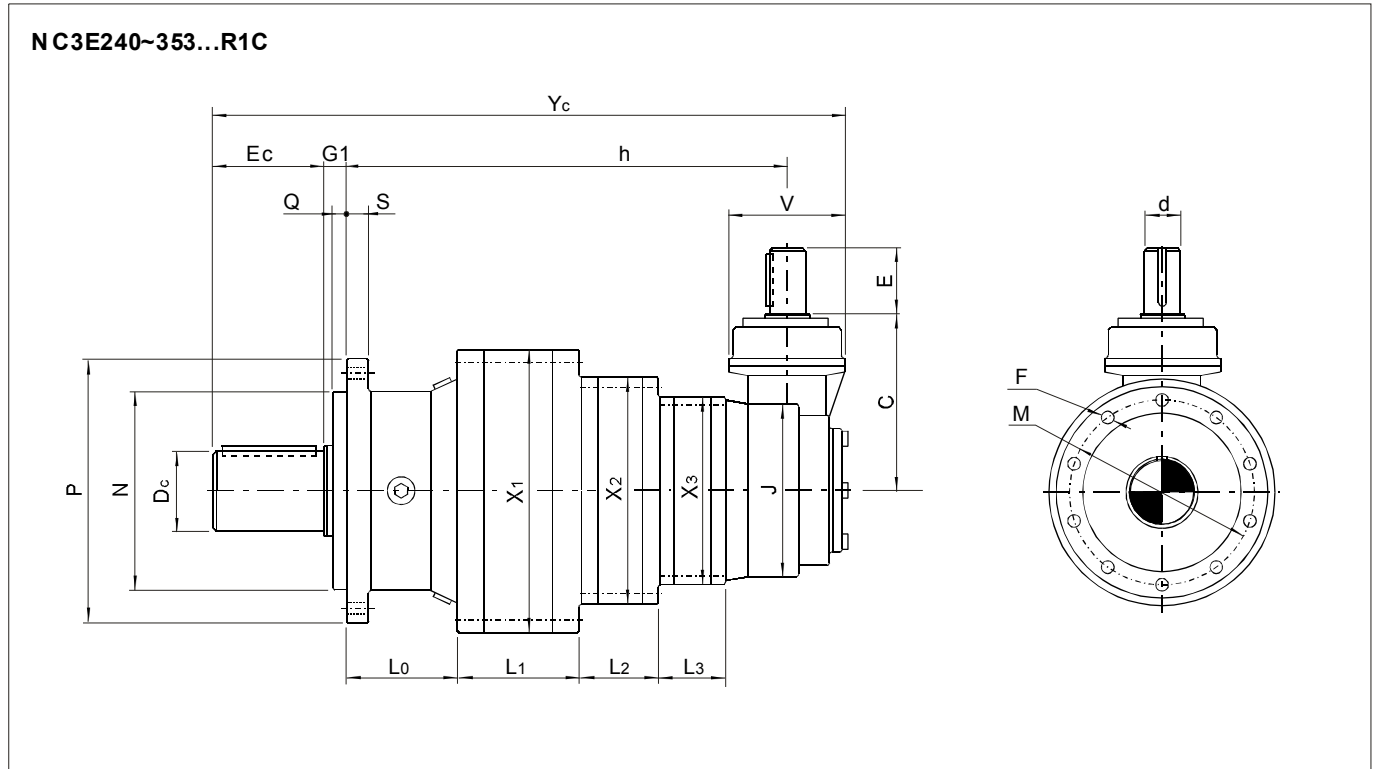


安装尺寸

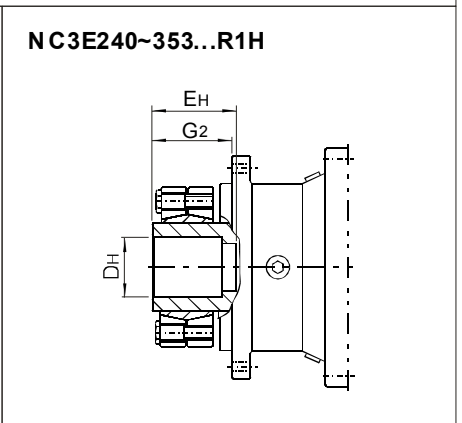
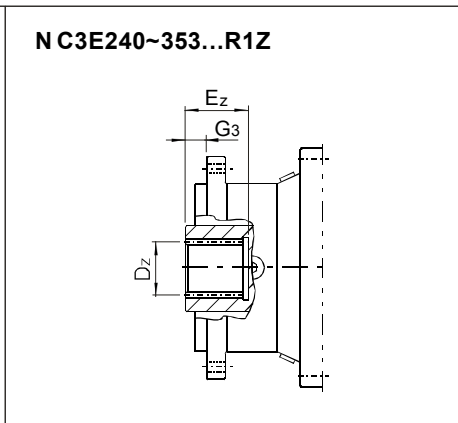
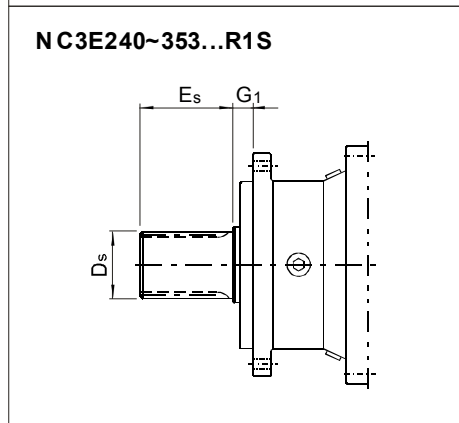
螺旋伞齿-行星减速机
1级伞螺旋齿轮配3级行星齿轮
转角传动
规格 240~353

Mounting dimensions

bevel-planetary gear reducer
1 bevel gear pair and 3 planetary gear
right angle transmission
size 240~353



其它轴伸形式 Other shaft ends



- | | |
|---|---|
| <ul style="list-style-type: none"> 1) 输入轴输出轴详细尺寸见第152页; 2) 外花键详细尺寸见第152页; 3) 内花键详细尺寸见第153页; 4) 空心轴带胀紧套详细尺寸见第153页; 5) 输出法兰详细尺寸见第151页; 6) 可附加底脚,详细尺寸见第154页; | <ul style="list-style-type: none"> 1) for input side details, see page 152; 2) for splined shaft details, see page 152; 3) for splined hollow shaft details, see page 153; 4) for hollow shaft with shrink disk details, see page 153; 5) for output flange details, see page 151; 6) can add foot on output flange, the details on page 154. |
|---|---|



安装尺寸

螺旋伞齿-行星减速机
1级伞螺旋齿轮配3级行星齿轮
转角传动
规格 240~353

Mounting dimensions

bevel-planetary gear reducer
1 bevel gear pair and 3 planetary gear
right angle transmission
size 240~353

机型号 size	X ₁ ∅	L ₁	X ₂ ∅	L ₂	X ₃ ∅	L ₃	D _C ∅	E _C	D _S	E _S	D _H ∅	E _H	D _Z
240	240	63	200	50	200	66	65	105	EXT 28zx2mx30	68	75	100	INT 28zx2mx30
241	240	78	200	62	200	66	65	105	EXT 28zx2mx30	68	75	100	INT 28zx2mx30
280	280	82	240	62	200	66	80	130	EXT 34zx2mx30	90	85	145	INT 34zx2mx30
353	353	92	240	67	200	78	90	130	EXT 40zx2mx30	90	100	140	INT 40zx2mx30

机型号 size	C	d ∅	E	E _Z	G ₁	G ₂	G ₃	L ₀	M ∅	N ∅f7	Q	P ∅	S	J ∅	h	重量 weight
240	172	32	58	54	15	85	15	89	195	150	14	220	18	200	321.5	75
241	172	32	58	54	15	85	15	89	195	150	14	220	18	200	348.5	83
280	172	32	58	82	40	115	40	142	250	200	15	280	22	200	405.5	112
353	172	32	58	85	36	120	36	124	295	230	10	325	25	200	415	167

安装位置及油量(L)

Mounting positions and oil quantity(L)

B5	B51	V1	规格 size	B5,B53	B51	B52	V1,V3
			240	2.3	3.7	2.3	4.1
241	2.8	4.9	2.8	4.9			
280	3.7	6.5	3.7	6.5			
353	5.2	8.1	5.2	9.1			

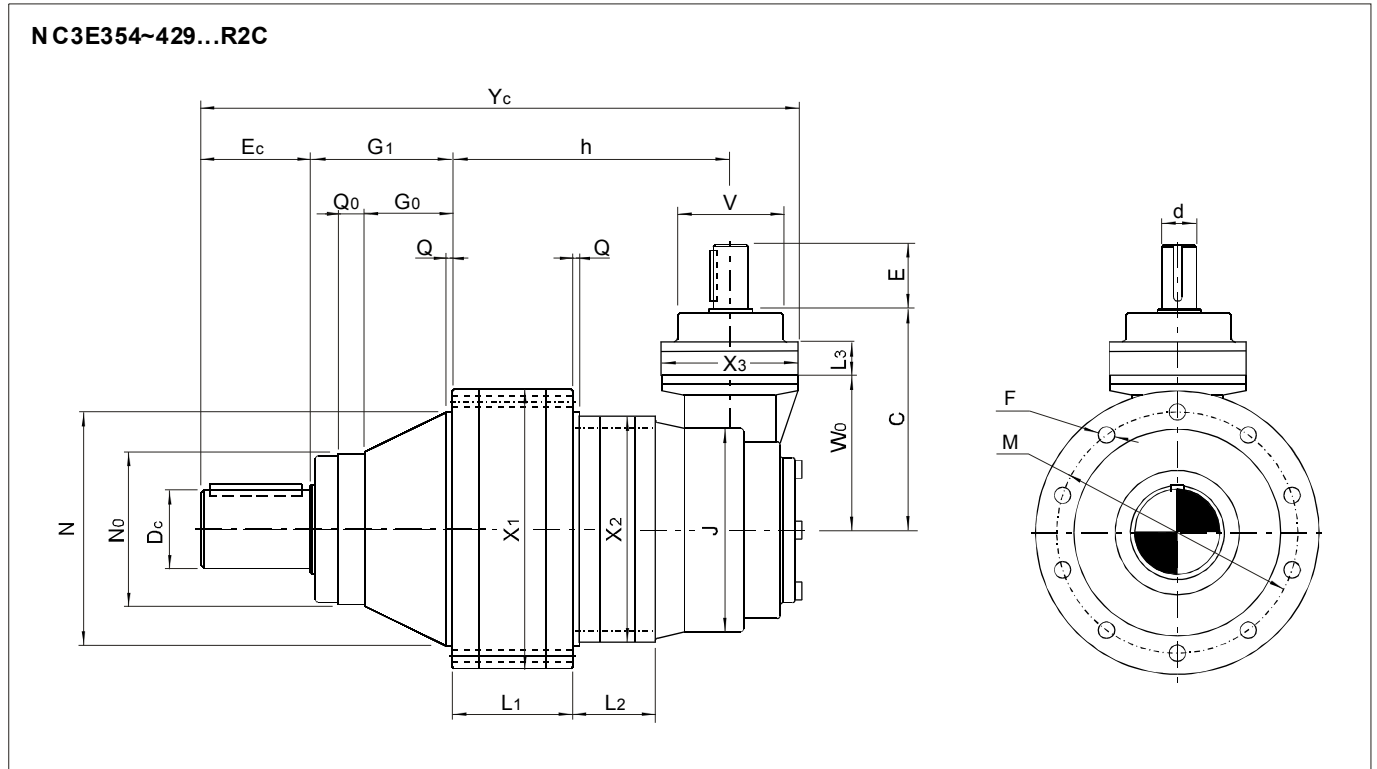


安装尺寸

螺旋伞齿-行星减速机
1级伞螺旋齿轮配3级行星齿轮
转角传动
规格 354~429

Mounting dimensions

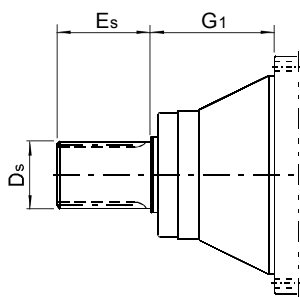
bevel-planetary gear reducer
1 bevel gear pair and 3 planetary gear
right angle transmission
size 354~429



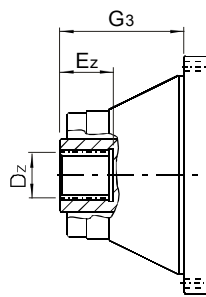
其它轴伸形式

Other shaft ends

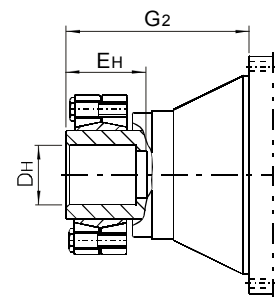
NC3E354~429...R2S



NC3E354~429...R2Z



NC3E354~429...R2H



- 1) 输入轴输出轴详细尺寸见第152页;
- 2) 外花键详细尺寸见第152页;
- 3) 内花键详细尺寸见第153页;
- 4) 空心轴带胀紧套详细尺寸见第153页;
- 5) 输出法兰详细尺寸见第151页;
- 6) 可附加底脚,详细尺寸见第154页;

- 1) for input side details, see page 152;
- 2) for splined shaft details, see page 152;
- 3) for splined hollow shaft details, see page 153;
- 4) for hollow shaft with shrink disk details, see page 153;
- 5) for output flange details, see page 151;
- 6) can add foot on output flange, the details on page 154.



安装尺寸

螺旋伞齿-行星减速机
1级伞螺旋齿轮配3级行星齿轮
转角传动
规格 354~429

Mounting dimensions

bevel-planetary gear reducer
1 bevel gear pair and 3 planetary gear
right angle transmission
size 354~429

机型号 size	X ₁ Ø	L ₁	X ₂ Ø	L ₂	X ₃ Ø	L ₃	C	d Ø	E	D _C Ø	E _C	D _S	E _S	D _H Ø	E _H	D _Z
354	353	138	240	48	200	48	327	40	58	100	130	EXT 29zx3mx30	90	110	160	INT 29zx3mx30
355	353	139	280	101	200	48	358	40	58	100	130	EXT 29zx3mx30	90	110	160	INT 29zx3mx30
428	428	140	280	110	200	48	358	40	58	110	165	EXT 39zx3mx30	130	130	180	INT 39zx3mx30
429	428	184	353	82	200	60	370	40	58	120	165	EXT 39zx3mx30	130	130	180	INT 39zx3mx30

机型号 size	W ₀	E _Z	G ₀	G ₁	G ₂	G ₃	h	J Ø	M Ø	N Øf7	N ₀ Øf7	Q	Q ₀	V Ø	Y _C	重量 weight
354	225	75	72	141	235	141	293	270	314	278	225	8.5	25	124	669	210
355	225	75	72	141	235	141	329.5	270	314	278	225	8.5	25	124	706	223
428	225	107	135	210	320	210	340	270	390	358	230	10	40	124	820	288
429	225	107	135	210	320	210	354	270	390	358	230	10	40	124	834	308

安装位置及油量(L)

Mounting positions and oil quantities(L)

B5	B51	V1	规格 size	B5,B53	B51	B52	V1,V3
			354	6.8	10.7	7.1	12.1
			355	7.3	11.6	7.6	13
			428	8.3	13	8.6	14.8
			429	9.3	14.8	9.7	16.5
B53	B52	V3					



安装尺寸

螺旋伞齿-行星减速机

1级伞螺旋齿轮配3级行星齿轮

转角传动

规格 445~696

Mounting dimensions

bevel-planetary gear reducer

1 bevel gear pair and 3 planetary gear

right angle transmission

size 445~696

机型号 size	X ₁ Ø	L ₁	X ₂ Ø	L ₂	X ₃ Ø	L ₃	C	d Ø	E	D _C Ø	E _C	D _S	E _S	D _H Ø	E _H	D _Z
445	445	175	353	128	240	48	248	48	82	130	170	EXT 42zx3mx30	130	140	205	INT 42zx3mx30
446	445	175	353	128	280	101	248	48	82	140	170	EXT 42zx3mx30	130	140	205	INT 42zx3mx30
542	542	199	428	137	280	110	248	48	82	160	210	EXT 30zx5mx30	170	170	250	INT 30zx5mx30
543	542	219	428	181	353	82	248	48	82	170	210	EXT 30zx5mx30	170	170	250	INT 30zx5mx30
695	695	200	445	237	353	129	330	65	105	190	260	EXT 36zx5mx30	200	190	292	INT 36zx5mx30
696	695	230	445	237	353	129	330	65	105	200	260	EXT 36zx5mx30	200	200	307	INT 36zx5mx30

机型号 size	E _Z	G ₀	G ₁	G ₂	G ₃	h	J Ø	M Ø	N Øf7	N ₀ Øf7	Q	Q ₀	V Ø	Y _C	重量 weight
445	110	152	227	362	227	458	270	415	385	260	13	40	195	960	420
446	110	152	227	362	227	494.5	270	415	385	260	13	40	195	997	433
542	120	224	279	427	279	536	270	503	460	300	13	32	195	1130	648
543	120	224	279	437	279	570	270	503	460	300	13	32	195	1164	739
695	140	—	152	318	152	724	376	635	560	—	20	—	250	1281	1275
696	140	—	152	318	152	754	376	635	560	—	20	—	250	1311	1363

安装位置及油量(L)

Mounting positions and oil quantity(L)

B5	B51	V1	规格 size	B5,B53	B51	B52	V1,V3
			445	13.1	21	13.1	23
446	13.6	21	13.6	24			
542	16.9	26	16.9	30			
543	21	33	21	37			
695	29	46	29	51			
696	33	51	33	58			



输入轴径向力

作用在轴伸上径向力,必须小于等于相关表中的许用值。

通常, 推荐使用以下公式计算径向力Fr1:

$$F_{r1} = \frac{28650 \cdot P_1}{d \cdot n_1} \quad [N] \quad \text{同步带驱动}$$

$$F_{r1} = \frac{47750 \cdot P_1}{d \cdot n_1} \quad [N] \quad \text{V型带驱动}$$

P₁(KW)-----输入功率

n₁(rpm)-----输入转速

d (m) -----分度圆直径

Radial loads Fr1 on high speed shaft end

Radial loads generated on the shaft end by a drive connecting gear reducer and motor must be less than or equal to those given in the relevant table.

The radial load Fr1 given by the following formula refers to most common drives:

$$F_{r1} = \frac{28650 \cdot P_1}{d \cdot n_1} \quad [N] \quad \text{for timing belt drive}$$

$$F_{r1} = \frac{47750 \cdot P_1}{d \cdot n_1} \quad [N] \quad \text{for timing V-belt drive}$$

P₁(KW)-----power required at the input side of the gear reducer

n₁(rpm)-----input speed

d (m) -----pitch diameter

输入转速 input speed n ₁ (rpm)	机型号/size													
	200	201	200 201	241	240	240 241	240 241	280	353	280 353				
	1E	1E	2E 3E CE C2E	CE	CE	1E	2E	3E 4E C2E C3E	1E	1E	2E	CE	3E	4E C2E C3E
1400	2120	5100	2120	4250	2120	8500	5100	2120	10600	21200	8500	4250	5100	2120
1120	2240	4000	2240	4500	2240	9000	4000	2240	11200	22400	9000	4500	4000	2240
900	2360	4250	2360	4750	2360	9500	4250	2360	11800	23600	9500	4750	4250	2360
710	2650	4750	2650	5300	2650	10600	4750	2650	13200	26500	10600	5300	4750	2650
560	2800	5000	2800	5600	2800	11200	5000	2800	14000	28000	11200	5600	5000	2800
450	3000	5300	3000	6000	3000	11800	5300	3000	15000	30000	11800	6000	5300	3000
355	3350	6000	3350	6700	3350	13200	6000	3350	17000	33500	13200	6700	6000	3350

输入转速 input speed n ₁ (rpm)	机型号/size													
	354				355	428 429	355,428,429				445,446			
	2E	CE C2E	3E	4E C3E	2E	2E	3E CE	C2E	4E C3E	2E	3E	4E C2E	C2E C3E	
1400	10600	4250	5100	2120	10600	13200	8500	4250	5100	21200	10600	8500	4250	
1120	11200	4500	4000	2240	11200	14000	9000	4500	4000	22400	11200	9000	4500	
900	11800	4750	4250	2360	11800	15000	9500	4750	4250	23600	11800	9500	4750	
710	13200	5300	4750	2650	13200	17000	10600	5300	4750	26500	13200	10600	5300	
560	14000	5600	5000	2800	14000	18000	11200	5600	5000	28000	14000	11200	5600	
450	15000	6000	5300	3000	15000	19000	11800	6000	5300	30000	15000	11800	6000	
355	17000	6700	6000	3350	17000	21200	13200	6700	6000	33500	17000	13200	6700	



输入轴径向力

Radial loads F_{r1} on high speed shaft end

输入转速 input speed n_1 (rpm)	机型号/size									
	445	543	542	542,543			695,696			
	4E	2E	2E	3E	4E C2E	C3E	2E	3E	4E	C3E
1400	5100	26500	21200	13200	8500	4250	26500	21200	10600	8500
1120	4000	28000	22400	14000	9000	4500	28000	22400	11200	9000
900	4250	30000	23600	15000	9500	4750	30000	23600	11800	9500
710	4750	33500	26500	17000	10600	5300	33500	26500	13200	10600
560	5000	35500	28000	18000	11200	5600	35500	28000	14000	11200
450	5300	51000	30000	19000	11800	6000	51000	30000	15000	11800
355	6000	42500	33500	21200	13200	6700	42500	33500	17000	13200

注:

表中给定值为作用在输入轴的中点值

轴向力为表中值的0.2倍

单位: N

ATTENTION!

Radial loads given in the table are valid for overhung loads on centre line of high speed shaft end.

an axial load of up to 0.2 times the value in the table is permissible, simultaneously with the radial loads.

the value expressed in unit:N

输出轴径向力

作用在输出轴上的径向力必须小于等于表中给定值。

轴承寿命及磨损与输出轴径向力相关。

如果很有必要, 允许使用表中大的值, 但不能超过许用值。

Radial loads F_{r2} on low speed shaft end

Radial loads generated on the shaft end must be less than or equal which given in the relevant table;

Bearing life and wear and low speed shaft strength, clearly impose limits on permissible radial load.

The high value which radial load may take on but not exceeding permissible values.

推荐使用以下公式计算径向力 F_{r2}

$$F_{r2} = \frac{19100 \cdot P_2}{d \cdot n_2} \quad [N] \quad \text{链条传动}$$

$$F_{r2} = \frac{47750 \cdot P_2}{d \cdot n_2} \quad [N] \quad \text{V形带传动}$$

$$F_{r2} = \frac{20320 \cdot P_2}{d \cdot n_2} \quad [N] \quad \text{直齿轮传动}$$

$$F_{r2} = \frac{67810 \cdot P_2}{d \cdot n_2} \quad [N] \quad \text{摩擦盘传动 (橡胶-金属)}$$

P_2 (KW)-----减速机输出功率

n_2 (KW)-----减速机输出转速

d (m) -----分度圆直径

Radial load F_{r2} for most common drives has the following value:

$$F_{r2} = \frac{19100 \cdot P_2}{d \cdot n_2} \quad [N] \quad \text{For chain drive}$$

$$F_{r2} = \frac{47750 \cdot P_2}{d \cdot n_2} \quad [N] \quad \text{For V-belt drive}$$

$$F_{r2} = \frac{20320 \cdot P_2}{d \cdot n_2} \quad [N] \quad \text{For spur gear pair drive}$$

$$F_{r2} = \frac{67810 \cdot P_2}{d \cdot n_2} \quad [N] \quad \text{For friction wheel drive (rubber-on-metal)}$$

P_2 (KW)-----power required at the output side of the gear reducer

n_2 (KW)-----output speed

d (m) -----pitch diameter



输出轴径向力

Radial loads F_{r2} on high speed shaft end

机型号200

Size 200

n ₂ -L _h	...1C					...1S				
	0	20.5	41	61.5	82	0	14	27.5	41.5	55
h: rpm	0	20.5	41	61.5	82	0	14	27.5	41.5	55
28000	50000	26500	26500	22400	18000	50000	51000	31500	26500	23600
35500	47500	25000	25000	20000	17000	47500	35500	30000	25000	21200
45000	42500	23600	23600	19000	16000	42500	33500	28000	23600	20000
56000	40000	21200	21200	18000	15000	40000	31500	26500	21200	19000
71000	51000	20000	20000	17000	14000	51000	30000	23600	20000	18000
90000	35500	19000	19000	15000	13200	35500	26500	22400	19000	16000
112000	33500	18000	18000	14000	11800	33500	25000	21200	18000	15000
140000	30000	17000	17000	13200	11200	30000	23600	20000	17000	14000
180000	28000	15000	15000	12500	10600	28000	22400	18000	15000	13200
224000	26500	14000	14000	11800	10000	26500	21200	17000	14000	12500
280000	25000	13200	13200	11200	9500	25000	19000	16000	13200	11800
355000	23600	12500	12500	10000	8500	23600	18000	15000	12500	10600
450000	21200	11800	11800	9500	8000	21200	17000	14000	11800	10000
560000	20000	11200	11200	9000	7500	20000	16000	13200	11200	9500
710000	19000	10000	10000	8500	7100	19000	15000	11800	10000	8500
900000	17000	9500	9500	7500	6700	17000	14000	11200	9500	8000
1120000	16000	9000	9000	7100	6000	16000	12500	10600	9000	7500
1400000	15000	8500	8500	6700	5600	15000	11800	10000	8500	7100
1800000	14000	7500	7500	6300	5300	14000	11200	9000	7500	6700
2240000	13200	7100	7100	6000	5000	13200	10600	8500	7100	6300
2800000	12500	6700	6700	5600	4750	12500	9500	8000	6700	6000
F_{r2max}	25000	19000	15000	12500	10600	25000	21200	18000	15000	13200

注:

输出轴轴向力为表中所列值的0.2倍;

花键空心轴许用径向力为实心轴的0.2倍;

表中值单位: N;

查表时, 先计算输出转速 n_2 [rpm]与轴承预期寿命 L_h [h]

的乘积,然后对应左栏数值查找。

ATTENTION!

An axial load of up to 0.2 times the value in the table is permissible, simultaneously with the radial load.

With splined hollow low speed shaft (... 1Z) the radial load F_r at a permissible value of $EZ/2$ is equal to 0.2 times the value in the table referring to $EC/2$.

The value expressed in unit: N

The product of speed n_2 rpm multiplied by bearing life L_h [h] required;



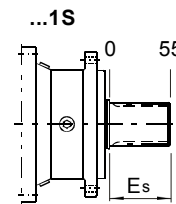
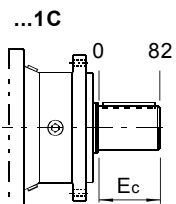
输出轴径向力

Radial loads F_{r2} on high speed shaft end

机型号201

Size 201

n ₂ -L _h	...1C					...1S				
	0	20.5	41	61.5	82	0	14	27.5	41.5	55
h: rpm	0	20.5	41	61.5	82	0	14	27.5	41.5	55
28000	50000	35500	26500	22400	18000	50000	51000	31500	26500	23600
35500	47500	33500	25000	20000	17000	47500	35500	30000	25000	21200
45000	42500	30000	23600	19000	16000	42500	33500	28000	23600	20000
56000	40000	28000	21200	18000	15000	40000	31500	26500	21200	19000
71000	51000	26500	20000	17000	14000	51000	30000	23600	20000	18000
90000	35500	25000	19000	15000	13200	35500	26500	22400	19000	16000
112000	33500	23600	18000	14000	11800	33500	25000	21200	18000	15000
140000	30000	21200	17000	13200	11200	30000	23600	20000	17000	14000
180000	28000	20000	15000	12500	10600	28000	22400	18000	15000	13200
224000	26500	19000	14000	11800	10000	26500	21200	17000	14000	12500
280000	25000	18000	13200	11200	9500	25000	19000	16000	13200	11800
355000	23600	16000	12500	10000	8500	23600	18000	15000	12500	10600
450000	21200	15000	11800	9500	8000	21200	17000	14000	11800	10000
560000	20000	14000	11200	9000	7500	20000	16000	13200	11200	9500
710000	19000	13200	10000	8500	7100	19000	15000	11800	10000	8500
900000	17000	12500	9500	7500	6700	17000	14000	11200	9500	8000
1120000	16000	11800	9000	7100	6000	16000	12500	10600	9000	7500
1400000	15000	10600	8500	6700	5600	15000	11800	10000	8500	7100
1800000	14000	10000	7500	6300	5300	14000	11200	9000	7500	6700
2240000	13200	9500	7100	6000	5000	13200	10600	8500	7100	6300
2800000	12500	9000	6700	5600	4750	12500	9500	8000	6700	6000
F_{r2max}	31500	23600	19000	16000	13200	31500	26500	22400	19000	17000



注:

输出轴轴向力为表中所列值的0.2倍;

花键空心轴许用径向力为实心轴的0.2倍;

表中值单位: N;

查表时, 先计算输出转速 n_2 [rpm]与轴承预期寿命 L_h [h]

的乘积, 然后对应左栏数值查找。

ATTENTION!

An axial load of up to 0.2 times the value in the table is permissible, simultaneously with the radial load.

With splined hollow low speed shaft (... 1Z) the radial load F_r at a permissible value of $EZ/2$ is equal to 0.2 times the value in the table referring to $EC/2$.

The value expressed in unit: N

The product of speed n_2 rpm multiplied by bearing life L_h [h] required;



输出轴径向力

Radial loads F_{r2} on high speed shaft end

机型号 240,241

Size 240,241

n ₂ -L _h	...1C					...1S				
	0	26.3	52.5	78.8	105	0	17	34	51	68
h: rpm	0	26.3	52.5	78.8	105	0	17	34	51	68
28000	80000	60000	47500	40000	33500	80000	67000	56000	47500	42500
35500	75000	56000	45000	35500	31500	75000	60000	53000	45000	40000
45000	67000	53000	40000	33500	28000	67000	56000	47500	42500	35500
56000	63000	47500	51000	31500	26500	63000	53000	45000	40000	33500
71000	60000	45000	35500	30000	25000	60000	50000	42500	35500	31500
90000	56000	42500	33500	28000	23600	56000	47500	40000	33500	30000
112000	53000	40000	31500	26500	22400	53000	42500	51000	31500	28000
140000	50000	51000	30000	23600	20000	50000	40000	33500	30000	26500
180000	45000	33500	26500	22400	19000	45000	51000	31500	28000	23600
224000	42500	31500	25000	21200	18000	42500	35500	30000	25000	22400
280000	40000	30000	23600	20000	17000	40000	33500	28000	23600	21200
355000	51000	28000	22400	18000	16000	51000	31500	26500	22400	20000
450000	33500	26500	20000	17000	14000	33500	28000	23600	21200	18000
560000	31500	25000	19000	16000	13200	31500	26500	22400	19000	17000
710000	30000	22400	18000	15000	12500	30000	25000	21200	18000	16000
900000	28000	21200	17000	14000	11800	28000	23600	20000	17000	15000
1120000	26500	20000	16000	13200	11200	26500	21200	18000	16000	14000
1400000	25000	18000	15000	11800	10000	25000	20000	17000	15000	13200
1800000	22400	17000	13200	11200	9500	22400	19000	16000	14000	11800
2240000	21200	16000	12500	10600	9000	21200	18000	15000	13200	11200
2800000	20000	15000	11800	10000	8500	20000	17000	14000	11800	10600
F_{r2max}	47500	51000	30000	25000	21200	47500	41250	35500	30000	26500

注:

输出轴轴向力为表中所列值的0.2倍;
 花键空心轴许用径向力为实心轴的0.2倍;
 表中值单位: N;
 查表时, 先计算输出转速 n_2 [rpm]与轴承预期寿命 L_h [h]的乘积, 然后对应左栏数值查找。

ATTENTION!

An axial load of up to 0.2 times the value in the table is permissible, simultaneously with the radial load.
 With splined hollow low speed shaft (... 1Z) the radial load F_r at a permissible value of $EZ/2$ is equal to 0.2 times the value in the table referring to $EC/2$.
 The value expressed in unit: N
 The product of speed n_2 rpm multiplied by bearing life L_h [h] required;



输出轴径向力
机型号280

Radial loads F_{r2} on high speed shaft end

Size 280

n ₂ -L _h	...1C					...1S				
	0	32.5	65	97.5	130	0	22.5	45	67.5	90
28000	95000	80000	67000	60000	53000	95000	85000	75000	67000	60000
35500	85000	75000	63000	56000	50000	85000	75000	67000	63000	56000
45000	80000	67000	60000	53000	47500	80000	71000	63000	60000	53000
56000	75000	63000	56000	47500	42500	75000	67000	60000	56000	50000
71000	71000	60000	50000	45000	40000	71000	63000	56000	50000	47500
90000	67000	56000	47500	42500	51000	67000	60000	53000	47500	42500
112000	63000	53000	45000	40000	35500	63000	53000	50000	45000	40000
140000	56000	47500	42500	51000	33500	56000	50000	45000	42500	51000
180000	53000	45000	40000	33500	30000	53000	47500	42500	51000	35500
224000	50000	42500	35500	31500	28000	50000	45000	40000	35500	33500
280000	47500	40000	33500	30000	26500	47500	42500	51000	33500	31500
355000	42500	51000	31500	28000	25000	42500	51000	35500	31500	28000
450000	40000	33500	30000	26500	23600	40000	35500	31500	30000	26500
560000	51000	31500	28000	25000	21200	51000	33500	30000	28000	25000
710000	35500	30000	26500	22400	20000	35500	31500	28000	25000	23600
900000	33500	28000	23600	21200	19000	33500	30000	26500	23600	21200
1120000	31500	26500	22400	20000	18000	31500	28000	25000	22400	20000
1400000	28000	23600	21200	18000	16000	28000	25000	22400	21200	19000
1800000	26500	22400	19000	17000	15000	26500	23600	21200	19000	18000
2240000	25000	21200	18000	16000	14000	25000	22400	20000	18000	16000
2800000	23600	20000	17000	15000	13200	23600	21200	19000	17000	15000
F_{r2max}	67000	56000	47500	40000	33500	67000	60000	53000	47500	42500

注:

输出轴轴向力为表中所列值的0.2倍;

花键空心轴许用径向力为实心轴的0.2倍;

表中值单位: N;

查表时, 先计算输出转速 n_2 [rpm]与轴承预期寿命 L_h [h]

的乘积, 然后对应左栏数值查找。

ATTENTION!

An axial load of up to 0.2 times the value in the table is permissible, simultaneously with the radial load.

With splined hollow low speed shaft (... 1Z) the radial load F_r at a permissible value of $EZ/2$ is equal to 0.2 times the value in the table referring to $EC/2$.

The value expressed in unit: N

The product of speed n_2 rpm multiplied by bearing life L_h [h] required;



输出轴径向力

Radial loads F_{r2} on high speed shaft end

机型号 353

Size 353

n ₂ -L _h	...1C					...1S				
	0	32.5	65	97.5	130	0	22.5	45	67.5	90
28000	118000	100000	85000	75000	63000	118000	106000	95000	85000	75000
35500	112000	95000	80000	67000	60000	112000	100000	85000	80000	71000
45000	106000	85000	75000	63000	56000	106000	90000	80000	71000	67000
56000	100000	80000	67000	60000	53000	100000	85000	75000	67000	63000
71000	90000	75000	63000	56000	47500	90000	80000	71000	63000	56000
90000	85000	71000	60000	53000	45000	85000	75000	67000	60000	53000
112000	80000	67000	56000	47500	42500	80000	71000	63000	56000	50000
140000	75000	60000	53000	45000	40000	75000	63000	56000	53000	47500
180000	71000	56000	47500	42500	35500	71000	60000	53000	47500	42500
224000	63000	53000	45000	40000	33500	63000	56000	50000	45000	40000
280000	60000	50000	42500	51000	31500	60000	53000	47500	42500	51000
355000	56000	47500	40000	33500	30000	56000	50000	42500	40000	35500
450000	53000	42500	51000	31500	28000	53000	45000	40000	35500	33500
560000	50000	40000	33500	30000	26500	50000	42500	51000	33500	31500
710000	45000	51000	31500	28000	23600	45000	40000	35500	31500	28000
900000	42500	35500	30000	26500	22400	42500	51000	33500	30000	26500
1120000	40000	33500	28000	25000	21200	40000	35500	31500	28000	25000
1400000	51000	31500	26500	22400	20000	51000	33500	28000	26500	23600
1800000	35500	28000	25000	21200	18000	35500	30000	26500	23600	21200
2240000	31500	26500	22400	20000	17000	31500	28000	25000	22400	20000
2800000	30000	25000	21200	19000	16000	30000	26500	23600	21200	19000
F_{r2max}	85000	71000	60000	50000	42500	85000	75000	67000	60000	53000

注:

输出轴轴向力为表中所列值的0.2倍;

花键空心轴许用径向力为实心轴的0.2倍;

表中值单位: N;

查表时, 先计算输出转速 n_2 [rpm]与轴承预期寿命 L_h [h]

的乘积, 然后对应左栏数值查找。

ATTENTION!

An axial load of up to 0.2 times the value in the table is permissible, simultaneously with the radial load.

With splined hollow low speed shaft (... 1Z) the radial load F_r at a permissible value of $EZ/2$ is equal to 0.2 times the value in the table referring to $EC/2$.

The value expressed in unit: N

The product of speed n_2 rpm multiplied by bearing life L_h [h] required;



输出轴径向力

Radial loads F_{r2} on high speed shaft end

机型号**354,355**

Size 354,355

n ₂ ·L _h	...2C					...2S				
	0	32.5	65	97.5	130	0	22.5	45	67.5	90
28000	140000	118000	100000	85000	71000	140000	125000	112000	100000	90000
35500	132000	112000	95000	80000	67000	132000	118000	100000	90000	85000
45000	125000	100000	85000	75000	60000	125000	106000	95000	85000	80000
56000	118000	95000	80000	71000	56000	118000	100000	90000	80000	75000
71000	106000	90000	75000	67000	53000	106000	95000	85000	75000	67000
90000	100000	85000	71000	60000	50000	100000	90000	80000	71000	63000
112000	95000	80000	67000	56000	47500	95000	80000	71000	67000	60000
140000	90000	71000	63000	53000	42500	90000	75000	67000	60000	56000
180000	80000	67000	56000	50000	40000	80000	71000	63000	56000	50000
224000	75000	63000	53000	47500	51000	75000	67000	60000	53000	47500
280000	71000	60000	50000	42500	35500	71000	63000	56000	50000	45000
355000	67000	56000	47500	40000	33500	67000	60000	53000	47500	42500
450000	63000	50000	42500	51000	30000	63000	53000	47500	42500	40000
560000	60000	47500	40000	35500	28000	60000	50000	45000	40000	51000
710000	53000	45000	51000	33500	26500	53000	47500	42500	51000	33500
900000	50000	42500	35500	30000	25000	50000	45000	40000	35500	31500
1120000	47500	40000	33500	28000	23600	47500	25000	51000	33500	30000
1400000	45000	35500	31500	26500	21200	45000	51000	33500	30000	28000
1800000	40000	33500	28000	25000	20000	40000	35500	31500	28000	26500
2240000	51000	31500	26500	23600	19000	51000	33500	30000	26500	23600
2800000	35500	30000	25000	21200	18000	35500	31500	28000	25000	22400
F_{r2max}	100000	85000	71000	60000	50000	100000	90000	80000	71000	63000

注:

- 输出轴轴向力为表中所列值的0.2倍;
- 花键空心轴许用径向力为实心轴的0.2倍;
- 表中值单位: N;
- 查表时, 先计算输出转速 n_2 [rpm]与轴承预期寿命 L_h [h]的乘积, 然后对应左栏数值查找。
- ? 当第二止口没有固定或带底脚安装时 $F_{r2} \leq 0.71 F_{r2 max}$.

ATTENTION!

An axial load of up to 0.2 times the value in the table is permissible, simultaneously with the radial load;

With splined hollow low speed shaft (... 1Z) the radial load F_{r2} at a permissible value of $EZ/2$ is equal to 0.2 times the value in the table referring to $EC/2$;

The value expressed in unit: N;

The product of speed n_2 rpm multiplied by bearing life L_h [h] required;

When the second spigot N_0 is not used or in case of foot mounting, load on the shaft must be $F_{r2} \leq 0.71 F_{r2 max}$.



输出轴径向力

Radial loads F_{r2} on high speed shaft end

机型号 428

Size 428

n ₂ -L _h	...2C					...2S				
	0	41.3	82.5	123.8	165	0	27.5	55	82.5	110
28000	170000	140000	125000	112000	100000	170000	150000	140000	125000	118000
35500	160000	132000	118000	106000	95000	160000	140000	125000	118000	106000
45000	150000	125000	106000	95000	85000	150000	132000	118000	106000	100000
56000	132000	118000	100000	90000	80000	132000	125000	112000	100000	95000
71000	125000	106000	95000	85000	75000	125000	112000	106000	95000	85000
90000	118000	100000	90000	80000	71000	118000	106000	95000	90000	80000
112000	112000	95000	85000	75000	67000	112000	100000	90000	85000	75000
140000	106000	90000	75000	67000	63000	106000	95000	85000	75000	71000
180000	95000	80000	71000	63000	56000	95000	85000	80000	71000	67000
224000	90000	75000	67000	60000	53000	90000	80000	75000	67000	63000
280000	85000	71000	63000	56000	50000	85000	75000	67000	63000	56000
355000	80000	67000	60000	53000	47500	80000	71000	63000	60000	53000
450000	71000	63000	53000	47500	42500	71000	67000	60000	53000	50000
560000	67000	60000	50000	45000	40000	67000	60000	56000	50000	47500
710000	63000	53000	47500	42500	37500	63000	56000	53000	47500	45000
900000	60000	50000	45000	40000	35500	60000	53000	47500	45000	40000
1120000	56000	47500	42500	37500	33500	56000	50000	45000	42500	51000
1400000	53000	45000	40000	33500	31500	53000	47500	42500	40000	35500
1800000	47500	40000	35500	31500	28000	47500	42500	40000	35500	33500
2240000	45000	37500	33500	30000	26500	45000	40000	37500	33500	31500
2800000	42500	35500	31500	28000	25000	42500	37500	33500	31500	30000
F_{r2max}	118000	100000	90000	75000	63000	118000	109000	97500	90000	80000

注:

输出轴轴向力为表中所列值的0.2倍;

花键空心轴许用径向力为实心轴的0.2倍;

表中值单位: N;

查表时, 先计算输出转速 n_2 [rpm]与轴承预期寿命 L_h [h]

的乘积, 然后对应左栏数值查找。

? 当第二止口没有固定或带底脚安装时 $F_{r2} \leq 0.71 F_{r2 max}$.

ATTENTION!

An axial load of up to 0.2 times the value in the table is permissible, simultaneously with the radial load;

With splined hollow low speed shaft (... 1Z) the radial load F_{r2} at a permissible value of $EZ/2$ is equal to 0.2 times the value in the table referring to $EC/2$;

The value expressed in unit: N;

The product of speed n_2 rpm multiplied by bearing life L_h [h] required;

When the second spigot N_0 is not used or in case of foot mounting, load on the shaft must be $F_{r2} \leq 0.71 F_{r2 max}$.



输出轴径向力

Radial loads F_{r2} on high speed shaft end

机型号 429

Size 429

n ₂ ·L _h	...2C					...2S				
	0	41.3	82.5	123.8	165	0	27.5	55	82.5	110
28000	200000	170000	140000	132000	118000	200000	170000	150000	140000	125000
35500	180000	160000	132000	118000	106000	180000	160000	140000	132000	118000
45000	170000	140000	125000	112000	100000	170000	150000	132000	118000	112000
56000	160000	132000	118000	106000	95000	160000	140000	125000	112000	100000
71000	150000	125000	112000	95000	85000	150000	132000	118000	106000	95000
90000	140000	118000	100000	90000	80000	140000	118000	106000	100000	90000
112000	132000	112000	95000	85000	75000	132000	112000	100000	90000	85000
140000	118000	100000	90000	80000	71000	118000	106000	95000	85000	80000
180000	112000	95000	85000	75000	67000	112000	100000	90000	80000	71000
224000	106000	90000	80000	67000	63000	106000	90000	80000	75000	67000
280000	100000	85000	71000	63000	56000	100000	85000	75000	71000	63000
355000	90000	80000	67000	60000	53000	90000	80000	71000	63000	60000
450000	85000	71000	63000	56000	50000	85000	75000	67000	60000	56000
560000	80000	67000	60000	53000	47500	80000	71000	63000	56000	50000
710000	75000	63000	56000	47500	42500	75000	67000	60000	53000	47500
900000	71000	60000	50000	45000	40000	71000	60000	53000	50000	45000
1120000	63000	56000	47500	42500	37500	63000	56000	50000	45000	42500
1400000	60000	53000	45000	40000	35500	60000	53000	47500	42500	40000
1800000	56000	47500	42500	37500	33500	56000	50000	45000	40000	35500
2240000	53000	45000	40000	33500	31500	53000	45000	42500	37500	33500
2800000	50000	42500	35500	31500	28000	50000	42500	37500	35500	31500
F_{r2max}	132000	112000	100000	85000	71000	132000	118000	106000	95000	85000

注:

输出轴轴向力为表中所列值的0.2倍;

花键空心轴许用径向力为实心轴的0.2倍;

表中值单位: N;

查表时, 先计算输出转速 n_2 [rpm]与轴承预期寿命 L_h [h]

的乘积, 然后对应左栏数值查找。

? 当第二止口没有固定或带底脚安装时 $F_{r2} \leq 0.71 F_{r2 max}$.

ATTENTION!

An axial load of up to 0.2 times the value in the table is permissible, simultaneously with the radial load;

With splined hollow low speed shaft (... 1Z) the radial load F_{r2} at a permissible value of $EZ/2$ is equal to 0.2 times the value in the table referring to $EC/2$;

The value expressed in unit: N;

The product of speed n_2 rpm multiplied by bearing life L_h [h] required;

When the second spigot N_0 is not used or in case of foot mounting, load on the shaft must be $F_{r2} \leq 0.71 F_{r2 max}$.



输出轴径向力

Radial loads F_{r2} on high speed shaft end

机型号445

Size 445

n ₂ ·L _h	...2C					...2S				
	0	42.5	85	127.5	170	0	32.5	65	97.5	130
28000	212000	180000	160000	140000	125000	212000	190000	170000	150000	140000
35500	200000	170000	150000	132000	118000	200000	180000	160000	140000	132000
45000	190000	160000	140000	118000	106000	190000	170000	150000	132000	118000
56000	180000	150000	132000	112000	100000	180000	150000	140000	125000	112000
71000	160000	140000	118000	106000	95000	160000	140000	132000	118000	106000
90000	150000	132000	112000	100000	90000	150000	132000	118000	106000	100000
112000	140000	118000	106000	90000	80000	140000	125000	112000	100000	90000
140000	132000	112000	100000	85000	75000	132000	118000	106000	95000	85000
180000	125000	106000	90000	80000	71000	125000	106000	95000	85000	80000
224000	118000	100000	85000	75000	67000	118000	100000	90000	80000	75000
280000	112000	90000	80000	71000	63000	112000	95000	85000	75000	71000
355000	100000	85000	75000	67000	60000	100000	90000	80000	71000	63000
450000	95000	80000	67000	60000	53000	95000	85000	75000	67000	60000
560000	90000	75000	63000	56000	50000	90000	80000	67000	63000	56000
710000	85000	71000	60000	53000	47500	85000	71000	63000	56000	53000
900000	75000	63000	56000	50000	45000	75000	67000	60000	53000	50000
1120000	71000	60000	53000	45000	40000	71000	63000	56000	50000	45000
1400000	67000	56000	50000	42500	37500	67000	60000	53000	47500	42500
1800000	63000	53000	45000	40000	35500	63000	56000	47500	42500	40000
2240000	60000	50000	42500	37500	33500	60000	50000	45000	40000	37500
2800000	56000	45000	40000	35500	31500	56000	47500	42500	37500	35500
F_{r2max}	155000	128000	112000	95000	80000	155000	135000	118000	106000	95000

注:

- 输出轴轴向力为表中所列值的0.2倍;
- 花键空心轴许用径向力为实心轴的0.2倍;
- 表中值单位: N;
- 查表时, 先计算输出转速 n_2 [rpm]与轴承预期寿命 L_h [h]的乘积, 然后对应左栏数值查找。
- ? 当第二止口没有固定或带底脚安装时 $F_{r2} \leq 0.71 F_{r2 max}$.

ATTENTION!

An axial load of up to 0.2 times the value in the table is permissible, simultaneously with the radial load;
 With splined hollow low speed shaft (... 1Z) the radial load F_{r2} at a permissible value of $EZ/2$ is equal to 0.2 times the value in the table referring to $EC/2$;
 The value expressed in unit: N;
 The product of speed n_2 rpm multiplied by bearing life L_h [h] required;
 When the second spigot N_0 is not used or in case of foot mounting, load on the shaft must be $F_{r2} \leq 0.71 F_{r2 max}$.



输出轴径向力

Radial loads F_{r2} on high speed shaft end

机型号 446

Size 446

n ₂ ·L _h	...2C					...2S				
	0	42.5	85	127.5	170	0	32.5	65	97.5	130
28000	250000	212000	180000	160000	140000	2500000	212000	190000	170000	160000
35500	224000	190000	170000	150000	132000	224000	200000	180000	160000	150000
45000	212000	180000	160000	140000	125000	212000	190000	170000	150000	140000
56000	200000	170000	150000	132000	112000	200000	180000	160000	140000	125000
71000	190000	160000	132000	118000	106000	190000	160000	150000	132000	118000
90000	170000	150000	125000	112000	100000	170000	150000	132000	118000	112000
1120000	160000	140000	118000	106000	95000	160000	140000	125000	112000	106000
140000	150000	132000	112000	100000	85000	150000	132000	118000	106000	95000
180000	140000	118000	100000	90000	80000	140000	125000	112000	100000	90000
224000	132000	112000	95000	85000	75000	132000	118000	100000	95000	85000
280000	125000	106000	90000	80000	71000	125000	106000	95000	85000	80000
355000	118000	95000	85000	75000	67000	118000	100000	90000	80000	75000
450000	106000	90000	80000	67000	60000	106000	95000	85000	75000	67000
560000	100000	85000	75000	63000	56000	100000	90000	80000	71000	63000
710000	95000	80000	67000	60000	53000	95000	80000	71000	67000	60000
900000	85000	75000	63000	56000	50000	85000	75000	67000	60000	56000
11200000	80000	67000	60000	53000	47500	80000	71000	63000	56000	53000
1400000	75000	63000	56000	50000	45000	75000	67000	60000	53000	47500
1800000	71000	60000	53000	45000	40000	71000	63000	56000	50000	45000
2240000	67000	56000	47500	42500	37500	67000	56000	53000	47500	42500
2800000	63000	53000	45000	40000	35500	63000	53000	47500	42500	40000
F_{r2max}	175000	145000	125000	106000	90000	175000	150000	132000	118000	106000

注:

- 输出轴轴向力为表中所列值的0.2倍;
- 花键空心轴许用径向力为实心轴的0.2倍;
- 表中值单位: N;
- 查表时, 先计算输出转速 n_2 [rpm]与轴承预期寿命 L_h [h]的乘积, 然后对应左栏数值查找。
- ? 当第二止口没有固定或带底脚安装时 $F_{r2} \leq 0.71 F_{r2 max}$.

ATTENTION!

An axial load of up to 0.2 times the value in the table is permissible, simultaneously with the radial load;
 With splined hollow low speed shaft (... 1Z) the radial load F_{r2} at a permissible value of $EZ/2$ is equal to 0.2 times the value in the table referring to $EC/2$;
 The value expressed in unit: N;
 The product of speed n_2 rpm multiplied by bearing life L_h [h] required;
 When the second spigot N_0 is not used or in case of foot mounting, load on the shaft must be $F_{r2} \leq 0.71 F_{r2 max}$.



输出轴径向力

Radial loads F_{r2} on high speed shaft end

机型号 542

Size 542

n ₂ ·L _h	...2C					...2S				
	0	52.5	105	157.5	210	0	37.5	75	112.5	150
28000	300000	250000	212000	190000	170000	300000	250000	224000	212000	190000
35500	265000	224000	200000	170000	160000	265000	236000	212000	190000	180000
45000	250000	212000	180000	160000	140000	250000	224000	200000	180000	160000
56000	236000	200000	170000	150000	132000	236000	212000	190000	170000	150000
71000	224000	190000	160000	140000	125000	224000	190000	170000	160000	140000
90000	200000	170000	150000	132000	118000	200000	180000	160000	150000	132000
1120000	190000	160000	140000	125000	112000	190000	170000	150000	140000	125000
140000	180000	150000	132000	112000	100000	180000	160000	140000	132000	118000
180000	170000	140000	118000	106000	95000	170000	150000	132000	118000	106000
224000	160000	132000	112000	100000	90000	160000	140000	125000	112000	100000
280000	150000	125000	106000	95000	85000	150000	132000	112000	106000	95000
355000	132000	112000	100000	85000	80000	132000	118000	106000	95000	90000
450000	125000	106000	90000	80000	71000	125000	112000	100000	90000	80000
560000	118000	100000	85000	75000	67000	118000	106000	95000	85000	75000
710000	112000	95000	80000	71000	63000	112000	95000	85000	80000	71000
900000	100000	85000	75000	67000	60000	100000	90000	80000	75000	67000
11200000	95000	80000	71000	63000	56000	95000	85000	75000	67000	63000
1400000	90000	75000	67000	56000	50000	90000	80000	71000	63000	60000
1800000	85000	71000	60000	53000	47500	85000	75000	67000	60000	53000
2240000	80000	67000	56000	50000	45000	80000	67000	63000	56000	50000
2800000	71000	60000	53000	47500	42500	71000	63000	56000	53000	47500
F_{r2max}	200000	175000	150000	125000	106000	200000	180000	160000	140000	125000

注:

- 输出轴轴向力为表中所列值的0.2倍;
- 花键空心轴许用径向力为实心轴的0.2倍;
- 表中值单位: N;
- 查表时, 先计算输出转速 n_2 [rpm]与轴承预期寿命 L_h [h]的乘积, 然后对应左栏数值查找。
- ? 当第二止口没有固定或带底脚安装时 $F_{r2} \leq 0.71 F_{r2 max}$.

ATTENTION!

An axial load of up to 0.2 times the value in the table is permissible, simultaneously with the radial load;
 With splined hollow low speed shaft (... 1Z) the radial load F_{r2} at a permissible value of $EZ/2$ is equal to 0.2 times the value in the table referring to $EC/2$;
 The value expressed in unit: N;
 The product of speed n_2 rpm multiplied by bearing life L_h [h] required;
 When the second spigot N_0 is not used or in case of foot mounting, load on the shaft must be $F_{r2} \leq 0.71 F_{r2 max}$.



输出轴径向力

Radial loads F_{r2} on high speed shaft end

机型号 543

Size 543

n ₂ -L _h	...2C					...2S				
	0	52.5	105	157.5	210	0	42.5	85	127.5	170
28000	335000	280000	236000	212000	180000	335000	280000	250000	224000	200000
35500	315000	265000	224000	190000	170000	315000	265000	236000	212000	190000
45000	300000	236000	212000	180000	160000	300000	250000	224000	190000	170000
56000	265000	224000	190000	170000	150000	265000	236000	200000	180000	160000
71000	250000	212000	180000	160000	140000	250000	212000	190000	170000	150000
90000	236000	200000	170000	150000	132000	236000	200000	180000	160000	140000
1120000	224000	180000	160000	140000	118000	224000	190000	170000	150000	132000
140000	212000	170000	150000	132000	112000	212000	180000	160000	140000	125000
180000	190000	160000	140000	118000	106000	190000	160000	140000	132000	118000
224000	180000	150000	125000	112000	100000	180000	150000	132000	118000	106000
280000	170000	140000	118000	106000	90000	170000	140000	125000	112000	100000
355000	160000	132000	112000	95000	85000	160000	132000	118000	106000	95000
450000	150000	118000	106000	90000	80000	150000	125000	112000	95000	90000
560000	140000	112000	95000	85000	75000	140000	118000	100000	90000	80000
710000	125000	106000	90000	80000	71000	125000	106000	95000	85000	75000
900000	118000	100000	85000	75000	67000	118000	100000	90000	80000	71000
11200000	112000	90000	80000	67000	60000	112000	95000	85000	75000	67000
1400000	106000	85000	75000	63000	56000	106000	90000	80000	71000	63000
1800000	95000	80000	67000	60000	53000	95000	80000	71000	63000	56000
2240000	90000	75000	63000	56000	50000	90000	75000	67000	60000	53000
2800000	85000	71000	60000	53000	47500	85000	71000	63000	56000	50000
F_{r2max}	236000	212000	180000	150000	125000	236000	218000	190000	160000	140000

注:

输出轴轴向力为表中所列值的0.2倍;

花键空心轴许用径向力为实心轴的0.2倍;

表中值单位: N;

查表时, 先计算输出转速 n_2 [rpm]与轴承预期寿命 L_h [h]

的乘积, 然后对应左栏数值查找。

? 当第二止口没有固定或带底脚安装时 $F_{r2} \leq 0.71 F_{r2 max}$.

ATTENTION!

An axial load of up to 0.2 times the value in the table is permissible, simultaneously with the radial load;

With splined hollow low speed shaft (... 1Z) the radial load F_{r2} at a permissible value of $EZ/2$ is equal to 0.2 times the value in the table referring to $EC/2$;

The value expressed in unit: N;

The product of speed n_2 rpm multiplied by bearing life L_h [h] required;

When the second spigot N_0 is not used or in case of foot mounting, load on the shaft must be $F_{r2} \leq 0.71 F_{r2 max}$.



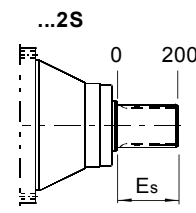
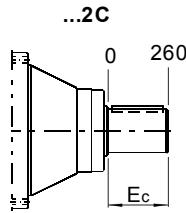
输出轴径向力

Radial loads F_{r2} on high speed shaft end

机型号 **695,696**

Size 695,696

n ₂ ·L _h	...2C					...2S				
	0	65	130	195	260	0	50	100	150	200
28000	500000	450000	400000	375000	335000	500000	450000	425000	400000	355000
35500	475000	425000	375000	335000	315000	475000	425000	400000	355000	335000
45000	425000	375000	355000	315000	300000	425000	400000	355000	335000	315000
56000	400000	355000	335000	300000	280000	400000	375000	335000	315000	300000
71000	375000	335000	300000	280000	250000	375000	335000	315000	300000	280000
90000	355000	315000	280000	265000	236000	355000	315000	300000	280000	250000
1120000	335000	300000	265000	236000	224000	335000	300000	280000	250000	236000
140000	300000	280000	250000	224000	212000	300000	280000	265000	236000	224000
180000	280000	250000	224000	212000	190000	280000	265000	236000	224000	212000
224000	265000	236000	212000	200000	180000	265000	250000	224000	212000	190000
280000	250000	224000	200000	180000	170000	250000	224000	212000	190000	180000
355000	236000	212000	190000	170000	160000	236000	212000	200000	180000	170000
450000	212000	190000	170000	160000	150000	212000	200000	180000	170000	160000
560000	200000	180000	160000	150000	140000	200000	190000	170000	160000	150000
710000	190000	170000	150000	140000	125000	190000	170000	160000	150000	140000
900000	180000	160000	140000	132000	118000	180000	160000	150000	140000	132000
11200000	160000	150000	132000	118000	112000	160000	150000	140000	132000	118000
1400000	150000	140000	125000	112000	106000	150000	140000	132000	118000	112000
1800000	140000	125000	112000	106000	95000	140000	132000	118000	112000	106000
2240000	132000	118000	106000	100000	90000	132000	125000	112000	106000	95000
2800000	125000	112000	100000	90000	85000	125000	112000	106000	100000	90000
F_{r2max}	315000	280000	250000	212000	180000	315000	290000	265000	236000	212000



注:

- 输出轴轴向力为表中所列值的0.2倍;
- 花键空心轴许用径向力为实心轴的0.2倍;
- 表中值单位: N;
- 查表时, 先计算输出转速 n_2 [rpm]与轴承预期寿命 L_h [h]的乘积, 然后对应左栏数值查找。
- ? 当第二止口没有固定或带底脚安装时 $F_{r2} \leq 0.71 F_{r2 \max}$.

ATTENTION!

An axial load of up to 0.2 times the value in the table is permissible, simultaneously with the radial load;
 With splined hollow low speed shaft (... 1Z) the radial load F_{r2} at a permissible value of $EZ/2$ is equal to 0.2 times the value in the table referring to $EC/2$;
 The value expressed in unit: N;
 The product of speed n_2 rpm multiplied by bearing life L_h [h] required;
 When the second spigot N_0 is not used or in case of foot mounting, load on the shaft must be $F_{r2} \leq 0.71 F_{r2 \max}$.



详细安装结构尺寸

输入端结构尺寸

输入端法兰及轴细部尺寸

Structural details

Gear reducers input face

The input face of gear reducers stated in the table, has a machined flange with through holes for fitting motor mounting etc.

	机型号/size				F Ø	F1 Ø	G	M1 Ø	N1 Ø f7	P1 Ø	Q	S
	1E	2E	3E	4E								
	240~353	280~429	355~543	≥446	12.5	-	15	195	150	220	14	18
	354~428	445~542	695,696	-	-	15	40	250	200	280	15	22
	429~446	543~696	-	-	16.5	-	36	295	230	325	10	25

输出端结构尺寸

Gear reducers & gear motor output face

<p>200,201 转角输入轴 轴线位置</p> <p>Right angle shaft position</p>	<p>240,241 (353)</p>	<p>280 1E...4E C2E,C3E</p>	<p>280 CE</p>
<p>354,355 1E...4E,CE</p>	<p>355 C2E,C3E</p>	<p>428 1E~4E,CE</p>	<p>428 C2E,C3E</p>
<p>429</p>	<p>445,446 1E...4E,C2E</p>	<p>446 C3E</p>	<p>542,543 (695,696)</p>



详细安装结构尺寸

实心轴尺寸(包括输入和输出轴)

Structural details

Cylindrical shaft ends(include input & output shaft)

	轴伸/shaft end				平键/parallel key	
	D ∅	E	d ∅	O ∅	bxhL	t
	28j6	58	M10	-	8x7x50	31
	32j6	58	M10	-	10x8x50	35
	40j6	58	M10	-	12x8x50	43
	42k6	82	M16	-	12x8x70	45
	48k6	82	M16	-	14x9x70	51.5
	50k6	82	M16	-	14x9x70	53.5
	60k6	105	M20	-	18x11x90	64
	65k6	105	M20	-	18x11x90	69
	80k6	130	M20	-	22x14x110	85
	90k6	130	M20	-	25x14x110	95
	100m6	130	M14	65	28x16x110	106
	110m6	165	M14	65	28x16x140	116
	120m6	165	M16	70	32x18x140	127
	130m6	170	M16	70	32x18x160	137
	140m6	170	M16	70	36x20x160	148
	160m6	210	M16	90	40x22x200	169
	170m6	210	M16	90	40x22x200	179
	190m6	260	M16	140	45x25x250	200
	200m6	260	M16	140	45x25x250	210

外花键轴尺寸

Splined shaft ends

	机型号 size	Ds	Ds1 ∅ f7	Ds2 ∅ f7	d ∅	O ∅	Es	Ls	Ls1	q
		200,201	EXT 24zX2mX30	42	52	M8	28	55	30	43
	240,241	EXT 28zX2mX30	50	60	M10	32	68	38	53	8
	280	EXT 34zX2mX30	62	72	M10	40	90	50	70	10
	353	EXT 40zX2mX30	70	84	M12	45	90	50	70	10
	354,355	EXT 29zX3mX30	80	95	M14	55	90	50	70	10
	428,429	EXT 39zX3mX30	85	125	M14	65	130	88	105	10
	445,446	EXT 42zX3mX30	100	135	M16	70	130	88	105	10
	542,543	EXT 30zX5mX30	125	160	M16	90	170	120	138	12
	695,696	EXT 36zX5mX30	155	190	M16	140	200	130	150	20

注:轴端3个螺纹孔成120°分布

ATTENTION:3 screw holes at 120°



详细安装结构尺寸

内花键轴尺寸

Structural details

Splined hollow shaft end

机型号 size	Dz	Dz1 Ø H7	Dz2 Ø H7	Ez	Lz	Q
200,201	INT 24zX2mX30	46.19	53	45	28	12
240,241	INT 28zX2mX30	54.16	62	49	29	15
280	INT 34zX2mX30	66.13	73	72	56	11
353	INT 40zX2mX30	78.11	85	80	55	20
354,355	INT 29zX3mX30	84.23	94	82	55	20
428,429	INT 39zX3mX30	114.17	123	114	92	15
445,446	INT 42zX3mX30	123.16	133	117	80	30
542,543	INT 30zX5mX30	145.37	159	130	100	20
695,696	INT 36zX5mX30	175.31	190	150	123	17

空心轴带胀紧套结构尺寸

Hollow shaft with shrink disks

机型号 size	DH Ø	DH1 Ø	d Ø	EH	EH1	P Ø	L	M2 N.m
200,201	50	35	60	72	50	110	30.5	2200
240,241	75	65	90	100	70	155	39	7250
280	85	70	110	145	90	185	50	10800
353	100	85	125	140	100	215	65	20000
354,355	110	85	140	160	110	230	74	29100
428,429	130	100	165	180	120	290	88	50700
445,446	140	110	185	205	145	330	112	78000
542,543	170	130	220	250	170	370	134	146500
695,696	200	170	260	307	210	430	160	240000

注:

空心轴带胀紧套的应用受许用值M₂限制;

与空心轴连接的轴肩至少为空心孔D_H的1.18~1.25倍。

ATTENTION!

Application of hollow shaft with shrink disks is limited by the shoulder diameter of the driven machine shaft end abutting with the gear reducer must be at least (1.18~1.25) D_H.



附件

底脚(FO)

实心轴和外花键轴可以带底脚使用，354以上机型其径向力为表中所列值的0.71倍。

转角式减速机,底脚可以与输入轴成90°布置,订货时请详细注明底脚位置,未注明则按180°布置供应。

Accessories

Casing foot(FO)

All gear reducers and gearmotors, design ..C and .S , can be supplied with casing feet. For size ≥ 354 , the radial load must not exceed $0,71 F_{2max}$.

In case of right angle shaft gear reducers and gearmotors, the feet can be mounted to 90° right or left-hand to the high speed right angle shaft, in this case, sign it clearly in order. normally, it is supplied at 180° .

机型号 size	Left view		Front view		Right view				
	A	B	BA	C	K	L	T	U	H
200,201	190	115.5	-	24	16	14	240	155	132
240,241	254	142	-	19	18	18	310	184	160
280	280	183	-	20	22	23	340	237	200
353	318	236	-	17	26	26	390	300	225
354,355	356	313	122	54	26	24	445	379	225
428	457	338	140	111	33	32	550	416	280
429	457	382	140	111	33	32	550	460	280
445,446	457	404	157	112.5	33	32	550	482	280
542	508	419	174	169	39	33	620	542	315
543	508	439	174	169	39	33	620	562	315
695	700	450	227	27	45	45	850	650	415
696	700	480	227	27	45	45	850	680	415

注: 对于...CE428机型, 尺寸B&U增加22。

ATTENTION: for gear unit ...CE428, B & U increased by 22.

扭力臂(TA)

减速机采用空心轴(H)设计时，可以采用扭力臂。

Torque arm(TA)

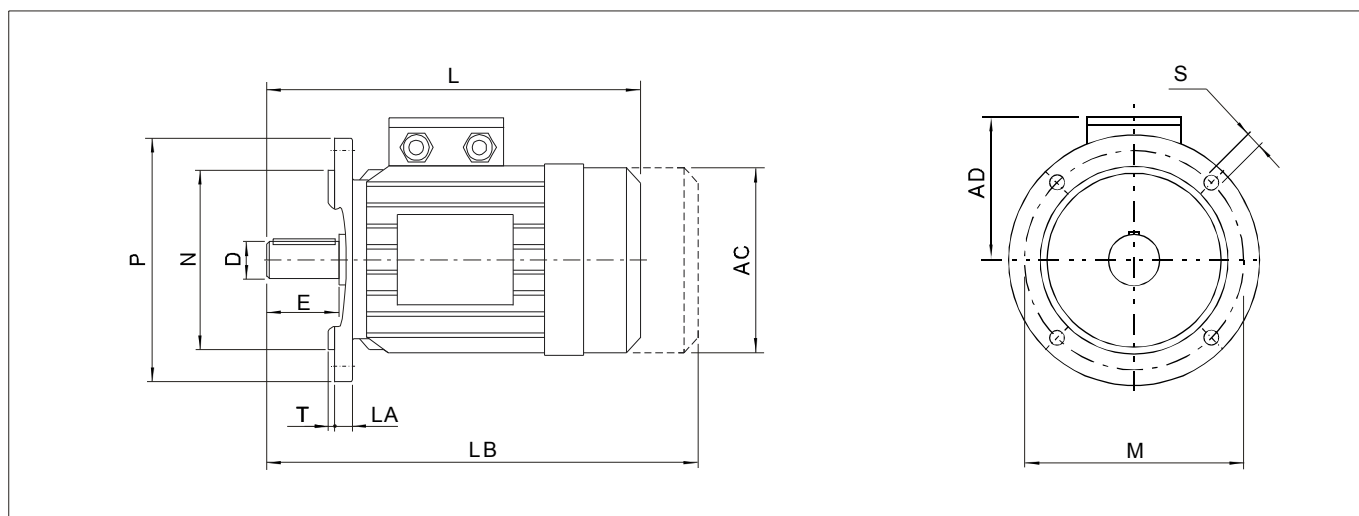
All gear reducers and gearmotors, design ..H , can be supplied with torque arm for shaft mounting.

机型号 size	Top view		Side view		Torque arm	
	A	B	F Ø	G	M	S
200,201	200	290	21	13	250	15
240,241	235	350	25	18	300	20
280	295	430	31	18	360	20
353	340	500	37	23	420	25
354,355	370	640	37	28	560	30
428,429	440	895	43	33	800	35
445,446	460	1000	49	33	900	35
542,543	560	1215	57	38	1100	40
695,696	720	1632	66	47	1500	50



电机安装尺寸

Motor mounting dimensions



机型号 frame	级数 poles	AC Ø	AD	D Ø	E	L	LB	LA	M Ø	N Ø	P Ø	S	T
63	4	130	108	11	23	225	301	9	115	95	140	4-Ø10	3
71	2~6	145	110	14	30	250	347	9	130	110	160	4-Ø10	3.5
80	2~6	175	145	19	40	295	372	10	165	130	200	4-Ø12	3.5
90S	2~6	195	150	24	50	315	439	10	165	130	200	4-Ø12	3.5
90L	2~6	195	150	24	50	340	464	10	165	130	200	4-Ø12	3.5
100L	2~6	215	175	28	60	385	498	11	215	180	250	4-Ø15	4
112M	2~6	240	185	28	60	400	520	11	215	180	250	4-Ø15	4
132S	2~6	275	205	38	80	470	665	12	265	230	300	4-Ø15	4
132M	2~6	275	205	38	80	510	705	12	265	230	300	4-Ø15	4
160M	2~6	330	255	42	110	615	850	15	300	250	350	4-Ø19	5
160L	2~6	330	255	42	110	670		15	300	250	350	4-Ø19	5
180M	2~6	380	275	48	110	700		18	300	250	350	4-Ø19	5
180L	2~6	380	275	48	110	740		18	300	250	350	4-Ø19	5
200L	2~6	420	305	55	110	770		20	350	300	400	4-Ø19	5
225S	2~6	470	325	60	140	815		20	400	350	450	8-Ø19	5
225M	2~6	470	325	60	140	845		20	400	350	450	8-Ø19	5
250M	2~6	510	380	65	140	910		22	500	450	550	8-Ø19	5
280S	2~6	580	410	75	140	985		22	500	450	550	8-Ø19	5
280M	2~6	580	410	75	140	1035		22	500	450	550	8-Ø19	5

注:
本表尺寸为Y2系列电机尺寸, IEC标准;
L为普通电机长度尺寸;
Lb为制动电机长度尺寸.

ATTENTION!
The dimension is suitable for Y2 series motor, IEC standard;
L is the length of general motor;
LB is the length of brake motor.