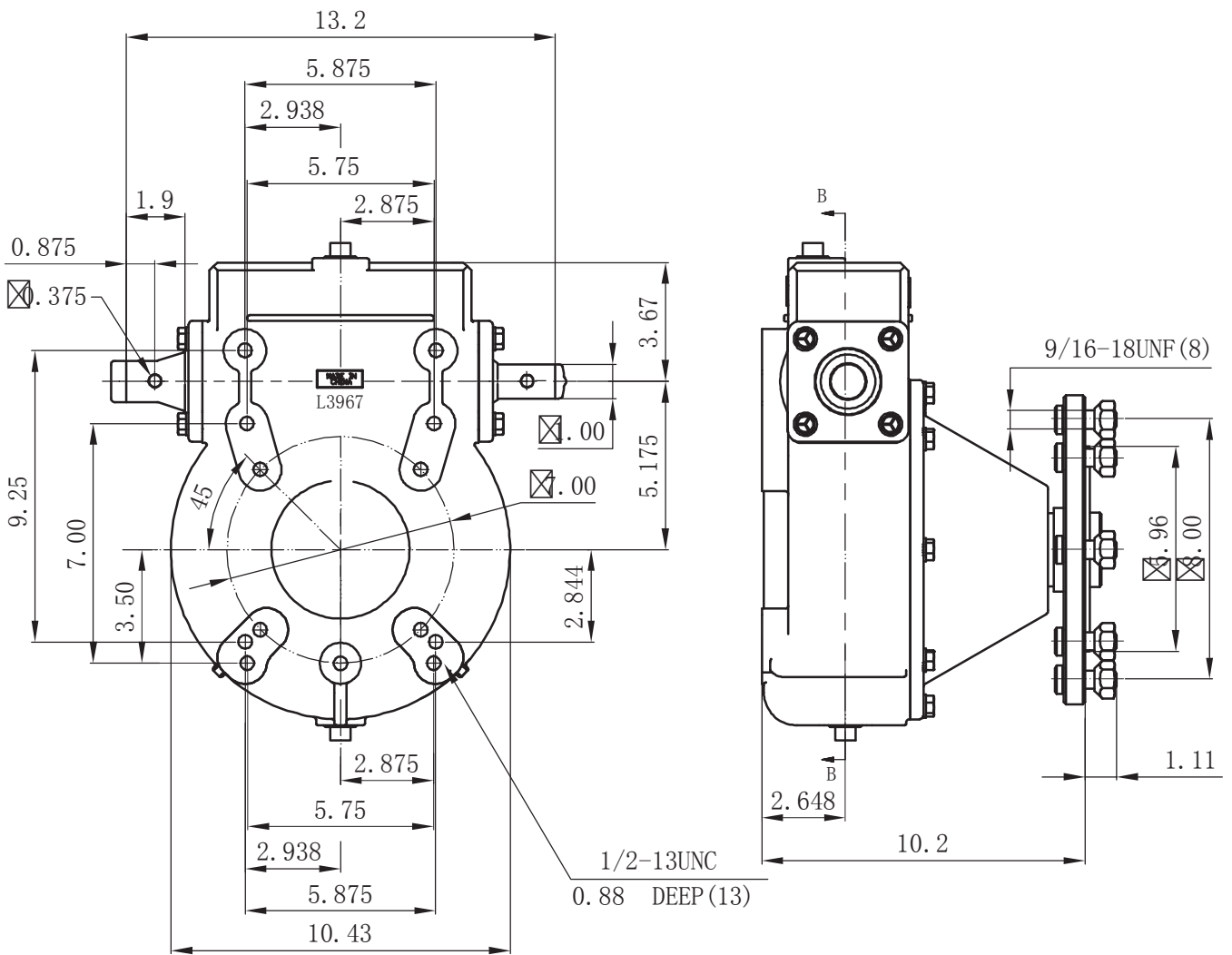


Wheel Drive For Irrigation Equipment

L3967

Install Size



Specifications

Torque Capacity:	70.000 lb-in [7909Nm]
Ratio:	50:1
Shaft Size:	2.25 (57mm)
Weight:	121.00lbs (55.0kg)
Oil Capacity:	3.5L